

# 1/3 HP PREASSEMBLED AND JOB-READY PRIMARY AND BACK-UP SUMP PUMP SYSTEM

# blueangel<sup>™</sup> PUMPS

The Professional's Line



**SUPER SIMPLE SUMP  
DROP-IN PRIMARY & BACK-UP SYSTEM WITH  
CAP SWITCH TECHNOLOGY!**



**PRIMARY PUMP**  
- 58 GPM @ 5'  
**BACK-UP PUMP**  
- 47 GPM @ 5'

- **PreAssembled and Job-Ready 1/3 HP Sump Pump and Back-Up System for Quick and Easy Installation!**
- **Cap Switch Technology is an Innovative Breakthrough, Providing the Most Reliable Switch on the Market Today... Lasting 5 Times Longer Than Standard Switches! - No Adjustment Needed!**
- **Heavy Duty Check Valves Already Installed**
- **1.5" PVC Discharge**

**3** YEAR  
Warranty

**LASTS 5 TIMES LONGER  
THAN STANDARD SWITCHES**

**CAP SWITCH**  
MICROPROCESSOR CONTROLLED  
Senses Water to Turn ON. Calculates RUN-TIME Based on Demand Each Cycle  
NO MOVING PARTS TO HANG UP!  
NO MECHANICAL PARTS TO WEAR OUT!  
PROVEN TO OUTLAST OTHER SWITCHES! 5 to 1!

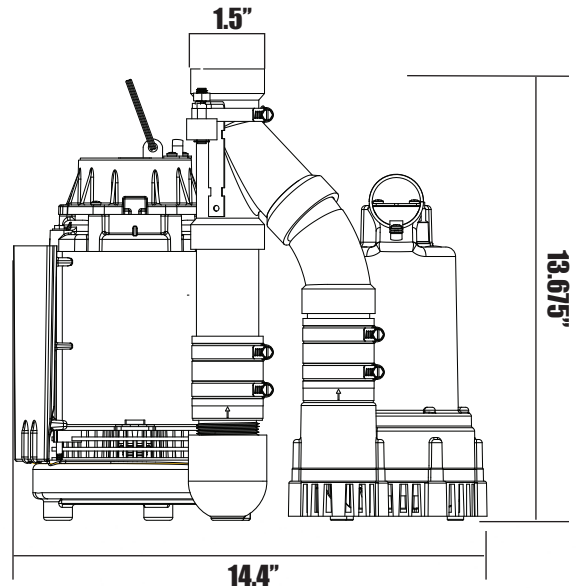
[www.blueangelpumps.com](http://www.blueangelpumps.com)

# 1/3 HP PREASSEMBLED AND JOB-READY PRIMARY AND BACK-UP SUMP PUMP SYSTEM



## BSS25

- Shipping Weight, 31 lbs
- 3 Year Warranty



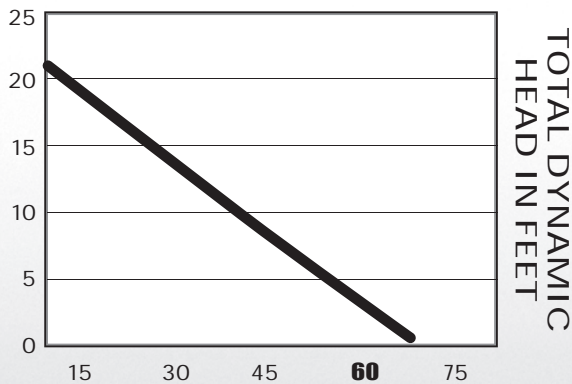
### PRIMARY PUMP (BCAP33)

- Piggy-Back Cap Switch
- Microprocessor Controlled - No Moving Parts to Wear Out
- No Adjustment Needed!
- 8', SJTW Power Cord

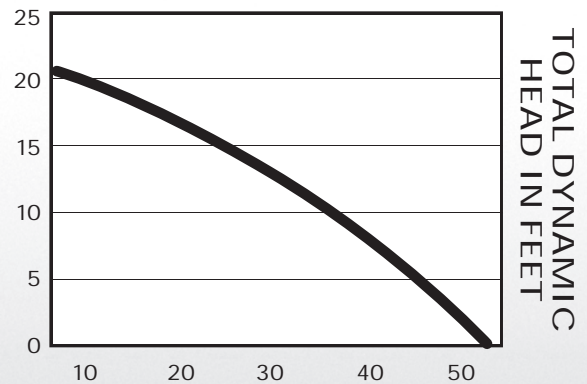
### BACK-UP PUMP (BSP25)

- Vertical Float Switch
- 8', SJTW Power Cord

FLOW RATE IN GPM



FLOW RATE IN GPM



### MOTOR SPECIFICATIONS

MOTOR	RPM	VOLTS	AMPS	Hz
Shaded Pole	1550	120	9.5	60

### PERFORMANCE

DISCHARGE HEAD	5'	10'	15'	20'
Gallons/Minute	58	45	28	2

### MOTOR SPECIFICATIONS

MOTOR	RPM	VOLTS	AMPS
Permanent Magnet	3500	12	16

### PERFORMANCE

DISCHARGE HEAD	5'	10'	15'	20'
Gallons/Minute	47	38	25	2

FOR PUMP AND SYSTEM ACCESSORIES SEE ACCESSORIES SECTION  
 BLUE ANGEL™ PUMPS • 101 Production Drive • Harrison, OH 45030 • 1-888-636-6628

© 2008 Blue Angel Pumps All Rights Reserved