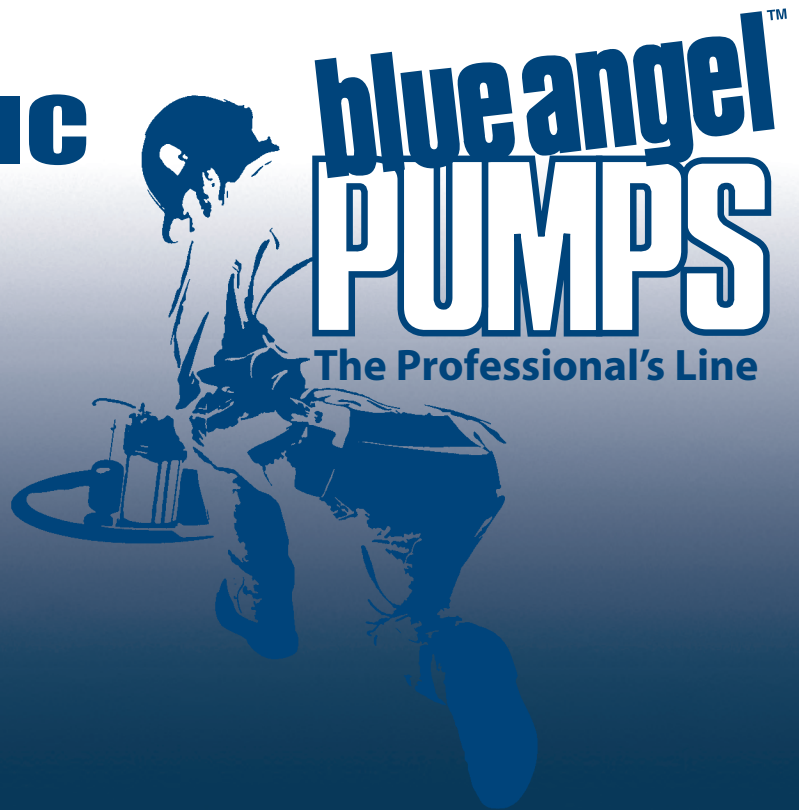


1/3 HP THERMOPLASTIC SUBMERSIBLE SUMP PUMP



• **40 GPM @ 5'**

• **Reliable, Reinforced Thermoplastic Motor Housing and Volute**

• **Stainless Steel Fasteners**

• **Tether Float Switch for Automatic Operation**

• **Oil-Filled, Thermally Protected Motor Prevents Overheating**

• **Side Suction Screen Filters Debris**

• **High Capacity 1-1/2" NPT Discharge**

• **Will Replace Most Submersible Sumps Without Any Plumbing Changes**

1
YEAR
Warranty

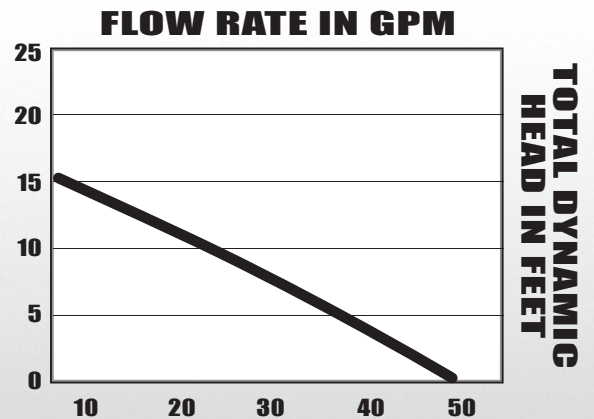
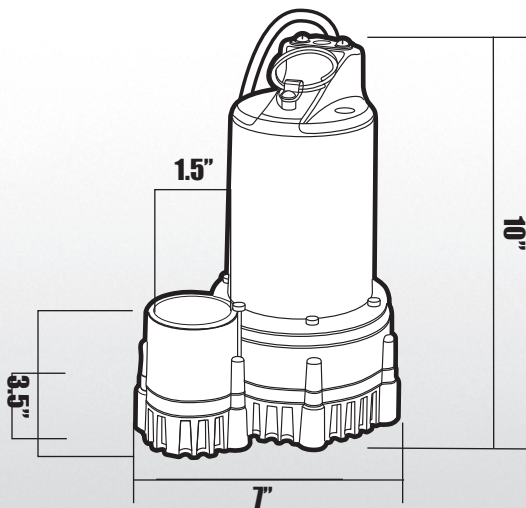
www.blueangelpumps.com

1/3 HP THERMOPLASTIC SUBMERSIBLE SUMP PUMP



BRSP130

- Piggy-Back Tether Float Switch
- 8', SJTW Power Cord
- 14" or Wider Sump Basins
- ON Level at 13" / OFF Level at 7"
- Shipping Weight, 9 lbs
- 1 Year Warranty



MOTOR SPECIFICATIONS

MOTOR	RPM	VOLTS	AMPS	Hz
Shaded Pole	3000	120	5.8	60

PERFORMANCE

DISCHARGE HEAD	5'	10'	15'	20'
Gallons/Minute	40	27	2	-

FOR PUMP AND SYSTEM ACCESSORIES SEE ACCESSORIES SECTION
 BLUE ANGEL™ PUMPS • 101 Production Drive • Harrison, OH 45030 • 1-888-636-6628

© 2008 Blue Angel Pumps All Rights Reserved

