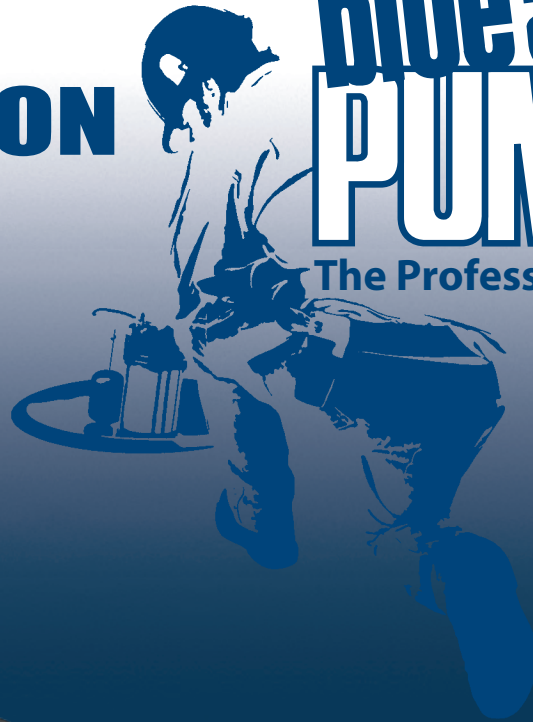


1/3 HP HIGH TEMPERATURE RATED CAST IRON SUBMERSIBLE SUMP PUMP

blueangel[™] PUMPS

The Professional's Line



- **58 GPM @ 5'**
- **190° High Temperature Rated for Intermittent Contact**
- **Stainless Steel Fasteners**
- **Durable Cast Iron Volute**
- **Oil-Filled, Thermally Protected Motor Prevents Overheating**
- **Reliable, Reinforced Poly-Carbonate Impeller**
- **Top Suction Screen Filters Debris**
- **High Capacity 1-1/2" NPT Discharge**
- **Will Replace Most Submersible Sumps Without Any Plumbing Changes**

1
YEAR
Warranty

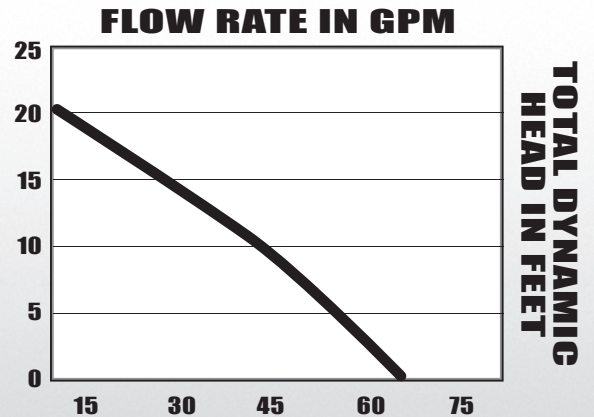
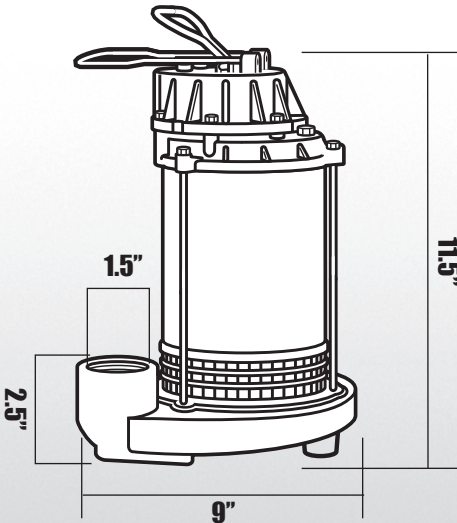
www.blueangelpumps.com

1/3 HP HIGH TEMPERATURE RATED CAST IRON SUBMERSIBLE SUMP PUMP



BCS33HH

- Vertical Float Switch
- 8', SJTW Power Cord
- 11" or Wider Sump Basins
- ON Level at 9" / OFF Level at 4"
- Shipping Weight, 17 lbs
- 1 Year Warranty



MOTOR SPECIFICATIONS

MOTOR	RPM	VOLTS	AMPS	Hz
Shaded Pole	1550	120	9.5	60

PERFORMANCE

DISCHARGE HEAD	5'	10'	15'	20'
Gallons/Minute	58	45	28	2

FOR PUMP AND SYSTEM ACCESSORIES SEE ACCESSORIES SECTION
 BLUE ANGEL™ PUMPS • 101 Production Drive • Harrison, OH 45030 • 1-888-636-6628

© 2008 Blue Angel Pumps All Rights Reserved

