

1/2 HP STAINLESS STEEL CAST IRON SUBMERSIBLE SUMP PUMP

blueangel™
PUMPS
The Professional's Line



- **65 GPM @ 5'**
- **Stainless Steel Motor Housing and Fasteners**
- **Durable Cast Iron Volute**
- **Variety of Switch Options for Automatic Operation and Application**
- **Oil-Filled, Thermally Protected Motor Prevents Overheating**
- **Top Suction Screen Filters Debris**
- **High Capacity 1-1/2" NPT Discharge**
- **Will Replace Most Submersible Sumps Without Any Plumbing Changes**

CAP SWITCH
MICROPROCESSOR CONTROLLED
Senses Water to Turn ON Calculates RUN-TIME Based on Demand Each Cycle
NO MOVING PARTS TO HANG UP!
NO MECHANICAL PARTS TO WEAR OUT!
PROVEN TO OUTLAST OTHER SWITCHES! 5 to 1!

LASTS 5 TIMES LONGER THAN STANDARD SWITCHES

5 YEAR Warranty

SSBCSC50 Shown

www.blueangelpumps.com

1/2 HP STAINLESS STEEL/CAST IRON SUBMERSIBLE SUMP PUMP



SSBCSM50

- Manual Operation
- Poly-Carbonate Impeller
- 20', SJTW Power Cord
- 11" or Wider Sump Basins
- Shipping Weight, 20 lbs
- 5 Year Warranty

NOTE: Use With Single or Double Piggy-Back Float Switch or Control Panel



SSBCS50, SSBCSF50-2

- Vertical Float Switch
- Poly-Carbonate Impeller
- 8', SJTW Power Cord (SSBCS50)
20', SJTW Power Cord (SSBCSF50-2)
- 11" or Wider Sump Basins
- ON Level at 9" / OFF Level at 4"
- Shipping Weight, 20 lbs
- 5 Year Warranty



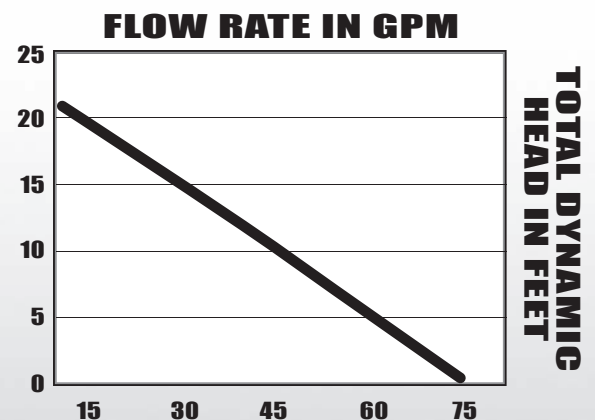
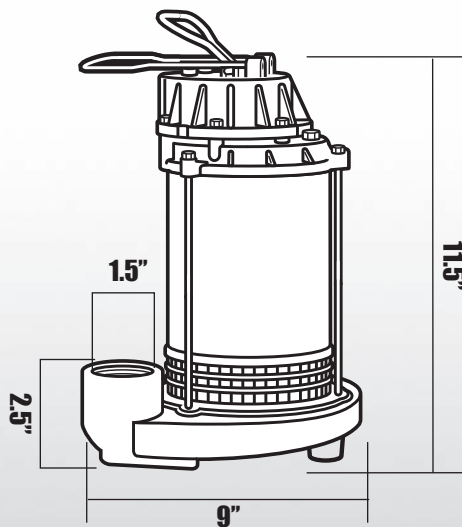
SSBCST50, SSBCST50-2

- Piggy-Back Tether Float Switch
- Poly-Carbonate Impeller
- 8', SJTW Power Cord (SSBCST50)
20', SJTW Power Cord (SSBCST50-2)
- 14" or Wider Sump Basins
- ON Level at 13" / OFF Level at 7"
- Shipping Weight, 20 lbs
- 5 Year Warranty



SSBCSC50, SSBCSC50-2

- Piggy-Back Cap Switch
- Microprocessor Controlled - No Moving Parts to Wear Out
No Adjustment Needed!
- 8', SJTW Power Cord (SSBCSC50)
20' SJTW Power Cord (SSBCSC50-2)
- 11" or Wider Sump Basins
- Shipping Weight, 20 lbs
- 5 Year Warranty



MOTOR SPECIFICATIONS

| MOTOR | RPM | VOLTS | AMPS | Hz |
|-------------|------|-------|------|----|
| Shaded Pole | 1550 | 120 | 10 | 60 |

PERFORMANCE

| DISCHARGE HEAD | 5' | 10' | 15' | 20' |
|----------------|----|-----|-----|-----|
| Gallons/Minute | 65 | 53 | 35 | 10 |

US SSBCSM50, SSBCS50, SSBCSF50-2, SSBCST50, SSBCST50-2

US SSBCSC50 Only

FOR PUMP AND SYSTEM ACCESSORIES SEE ACCESSORIES SECTION

BLUE ANGEL™ PUMPS • 101 Production Drive • Harrison, OH 45030 • 1-888-636-6628

© 2008 Blue Angel Pumps All Rights Reserved