

**4/10 HP  
PREASSEMBLED  
AND JOB-READY  
“SPECIALIST SERIES”  
OUTDOOR  
SEWAGE SYSTEM**

**blueangel™**  
**PUMPS**  
The Professional's Line



- **90 GPM @ 5'**
- **4/10 HP Cast Iron Pump**
- **18" X 30" Polystructural Foam Basin and Lid**
- **Anti-Flotation Rim on Basin**
- **2" Side Discharge and Electrical Connection**
- **Full Flow 2" Check Valve Installed in Basin**
- **4" Snap-In Hub with Pipe Clamp**
- **Preassembled for Quick and Easy Installation**

**2**  
YEAR  
Warranty

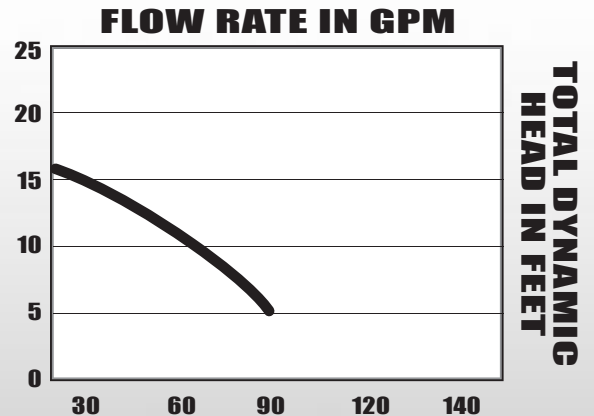
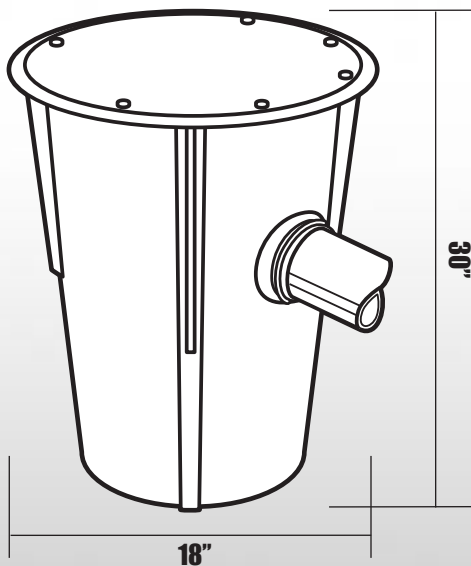
[www.blueangelpumps.com](http://www.blueangelpumps.com)

# 4/10 HP PREASSEMBLED AND JOB-READY "SPECIALIST SERIES" OUTDOOR SEWAGE SYSTEM



## CSE40TODS

- PiggyBack Tether Float Switch
- 8', SJTW Power Cord
- ON Level at 16" / OFF Level at 7.5"
- Shipping Weight 80 lbs.
- 2 Year Warranty



### MOTOR SPECIFICATIONS

MOTOR	RPM	VOLTS	AMPS	Hz
Shaded Pole	1550	120	12	60

### PERFORMANCE

DISCHARGE HEAD	5'	10'	15'	20'
Gallons/Minute	90	62	23	-

FOR PUMP AND SYSTEM ACCESSORIES SEE ACCESSORIES SECTION

BLUE ANGEL™ PUMPS • 101 Production Drive • Harrison, OH 45030 • 1-888-636-6628 • 1-877-289-2963

© 2007 Blue Angel Pumps All Rights Reserved