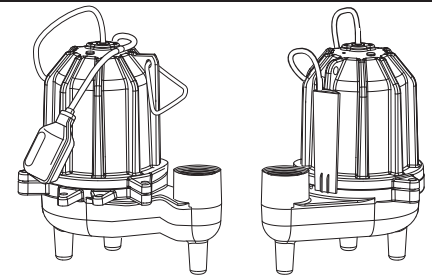


Please read and save these instructions. Read carefully before attempting to assemble, install, operate or maintain the product described. Protect yourself and others by observing all safety information. Failure to comply with instructions could result in personal injury and/or property damage! Retain instructions for future reference.

Sewage Pump



Description

A sewage pump is intended for use in domestic sewage lift stations. It is suitable for pumping sewage, effluent, wastewater, groundwater, and other nonexplosive, noncorrosive liquids with up to 2 inch solids. The pump is controlled by a switch with a piggyback style plug which accepts the pump plug and, in turn, plugs into a 120-volt outlet. The float switch is a wide angle differential switch that rises with the liquid level and turns the pump on. As the liquid level decreases, the float lowers and turns the pump off. The BCAPSE40 is provided with a solid-state electronic water level control. When water is detected, the pump will start automatically. This pump is intended for use in domestic sewage lift stations.

Unpacking

Inspect this unit before it is used. Occasionally, products are damaged during shipment. If the pump or components are damaged, return the unit to the place of purchase for replacement. Failure to do so could result in serious injury or death.

Safety Guidelines

This manual contains information that is very important to know and understand. This information is provided for SAFETY and to PREVENT EQUIPMENT PROBLEMS. To help recognize this information, observe the following symbols.

⚠ DANGER Danger indicates an imminently hazardous situation which, if not avoided, WILL result in death or serious injury.

⚠ WARNING Warning indicates a potentially hazardous situation which, if not avoided, COULD result in death or serious injury.

⚠ CAUTION Caution indicates a potentially hazardous situation which, if not avoided, MAY result in minor or moderate injury.

NOTICE Notice indicates important information, that if not followed, may cause damage to equipment.

General Safety Information

CALIFORNIA PROPOSITION 65

⚠ WARNING This product or its power cord contains chemicals known to the State of California to cause cancer and birth defects or other reproductive harm. Wash hands after handling.

GENERAL SAFETY

1. Know the pump application, limitations, and potential hazards.

⚠ WARNING Do not use to pump flammable or explosive fluids such as gasoline, fuel oil, kerosene, etc. Do not use in a flammable and/or explosive atmosphere. Use pump only with liquids compatible with pump component materials. Failure to follow this warning can result in personal injury and/or property damage.



2. Make certain that the power source (electric motor) conforms to the requirements of the equipment.

⚠ DANGER Disconnect power before servicing. If the power disconnect is out of sight, lock in the open position and tag it to prevent unexpected application of power. Failure to do so could result in fatal electrical shock!



Specifications	BCSE50M & BCSE50T	BCAPSE50 & BCAPSE50-2
Power supply requirements	120V, 60 hz	120V, 60hz
Circuit requirements	15 amps (min)	15 amps (min)
Motor duty	Intermittent	Intermittent
Motor	120V, 1 Phase	120V, 1 Phase
Horsepower	4/10	4/10
Motor full load	12.0 amps	8.7 amps
Liquid temperature range	40°F to 120°F	40°F to 120°F
Max. operating position	45o from vertical	45o from vertical
Dimensions	14 inch x 12 inch	14 inch x 12 inch
Intake	2 inch	2 inch
Discharge	2 inch NPT female	2 inch NPT female
Cut-in level (factory set)	19 inch	11 inch
Cut-out level (factory set)	9 inch	3 inch
Differential	10 inch	7 inch
Switch	90° wide angle mechanical tether switch	Capacitive water sensor
Power cord	16 gauge 3 conductor with plug	16 gauge 3 conductor with plug

Construction

Motor body material Cold rolled steel
 Motor housing Cast iron
 Volute Cast iron
 Impeller Glass reinforced PBT
 Seal plate Cast Iron
 Shaft seal Mechanical

Performance

GALLONS PER MINUTE AT TOTAL HEAD IN FEET

5	10	15
90	62	23

REMINDER: Keep your dated proof of purchase for warranty purposes! Attach it to this manual or file it for safekeeping.

General Safety Information (continued)

3. Release all pressure within the system before servicing any component.
4. Drain all liquids from the system before servicing.

⚠ WARNING *This pump contains dielectric motor oil for motor heat transfer. Care should be taken when disposing of this oil. Do not use this pump in ponds or fountains because the motor oil can be harmful to aquatic life.*

5. Secure the discharge line before starting the pump. An unsecured discharge line will whip, possibly causing personal injury and/or property damage.
6. Check hoses for weak and worn condition before each use, making certain that all connections are secure.
7. Periodically inspect the pump and system components. Perform routine maintenance as required (See Maintenance Section).
8. Provide a means of pressure relief for pumps whose discharge line can be shut-off or obstructed.
9. Personal Safety:
 - a. Wear safety glasses at all times when working with pumps.
 - b. Keep work area clean, uncluttered and properly lighted; replace all unused tools and equipment.
 - c. Keep visitors a safe distance from the work area. Make workshop child-proof with padlocks, master switches, and by removing starter keys.
10. When wiring an electrically driven pump such as this, follow all electrical and safety codes, as well as the most recent National Electrical Code (NEC) and the Occupational Safety and Health Act (OSHA).

⚠ WARNING *Risk of electric shock! Never connect the green (or green and yellow) wire to a live terminal!*



11. This equipment is only for use on 120 volt (single-phase) and is equipped with an approved 3-conductor cord and 3-prong, grounding-type plug as shown in Figure 1A and 1B.

To reduce the risk of electric shock, the motor must be securely and adequately grounded. This can be accomplished by the following:

- Inserting plug directly into a properly installed and grounded 3-prong, grounding-type receptacle (as shown in Figure 1A and 1B).
- Permanently wiring the unit with a grounded, metal raceway system.

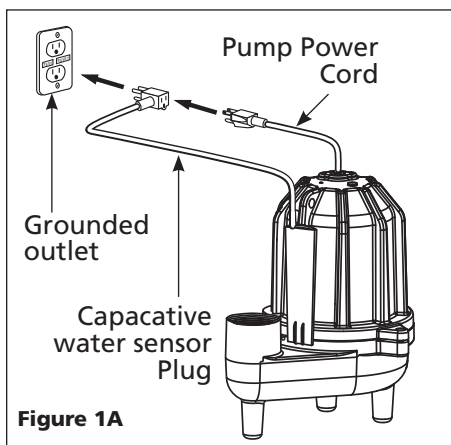


Figure 1A

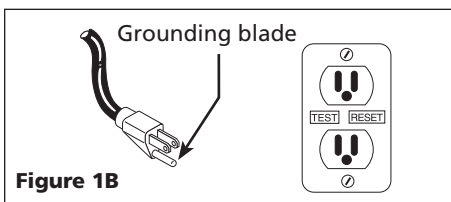


Figure 1B

- Other suitable means.

Where a 2-prong wall receptacle is encountered, it must be replaced with a properly grounded 3-prong receptacle installed in accordance with the NEC and local codes and ordinances.

12. All wiring should be performed by a qualified electrician.
13. Always connect this product to a grounded outlet equipped with a Ground Fault Circuit Interrupter (GFCI) device. Consult a local electrician for installation and availability.

⚠ WARNING *The pump motor is equipped with automatic resetting thermal protector and may restart unexpectedly. Protector tripping is an indication of motor overloading as a result of operating the pump at low heads (low discharge restriction), excessively high or low voltage, inadequate wiring, incorrect motor conditions, or a defective motor or pump.*

14. This pump is designed to transfer water in cycles. Using this pump in a continuous duty application by manipulating the switch to stay on, will affect the performance and the life of the product.
15. Protect electrical cord from sharp objects, hot surfaces, oil, and chemicals. Avoid kinking the cord. Replace or repair damaged or worn cords immediately. Use wire of adequate size to minimize voltage drop at the motor.
16. Do not handle a pump or pump motor with wet hands or when standing on a wet or damp surface, or in water.
17. Do not hang this product by the carry handle. Sewage pumps

should be set firmly on their legs and supported by rigid piping. This eliminates twisting and damage during pump operation.

18. Do not use an extension cord.

⚠ DANGER *Do not walk on wet area until all power has been turned off. If the shut-off box is in basement, call the electric company to shut-off service to the house, or call the local fire department for instructions. Remove pump and repair or replace. Failure to follow this warning can result in fatal electrical shock.*



Installation

NOTICE *In any installation where property damage and/or personal injury might result from an inoperative or leaking pump due to power outages, discharge line blockage or any other reason, use a backup system(s).*

1. Thread the discharge pipe or pipe nipple into the discharge connection.
2. If a check valve is used in a solids handling system mount the check valve in a horizontal position or at a 45° angle with the valve pivot on top. In a vertical position, solids will tend to lodge on the valve flapper and can prevent it from opening.
3. Drill a 1/16 inch hole in the discharge pipe approximately 1 inch to 2 inch above the pump discharge when a check valve is used. The hole prevents air locking of the pump at the initial start-up and if it should lose prime.
4. A gate valve should be installed in the system after the check valve. This gate valve should be a full port valve which will pass 2 inch solids or as required by state and local codes. This gate valve permits removal of the pump and/or check valve for servicing.
5. A union should be installed between the check valve and the pump so the pump can be removed with least disturbance of the piping.
6. BCSE models are supplied with a detachable tether switch with a piggyback plug (see Figure 3A). The length of the tether (distance of cord from float to clamp) should not be set shorter than 3-1/4 inches and should not be used in a basin smaller than 14 inches in diameter. If using a differential other than the factory setting, be sure when the pump shuts off at least 4 inch of fluid is left in the basin so the impeller remains submerged.
7. The BCAPSE40 model is supplied with an capacitive water sensor. Orient the pump in the basin so that the water

General Safety Information (continued)

sensor is 180° away from the inlet. Make certain the incoming water stream does not hit the surface (See Figure 3B).

- When a tether switch is used, rigid discharge pipe is required. If the pump is allowed to move, the tether switch could be restricted by the basin wall, preventing the pump from operating.

CAUTION Before removing pump from basin for service, always disconnect electrical power to pump and control switch. For any work on pump or switch, ALWAYS unplug the power cord. Do not just turn off circuit breaker or unscrew fuse.

Maintenance

WARNING Make certain that the pump is unplugged before attempting to service or remove any component. This pump is assembled in the factory using special equipment; therefore only authorized service dealers or qualified electricians should attempt to repair this unit. Improper repair can cause an electrical shock hazard.

NOTICE The pump contains oil that may be under pressure because of heat. Let the pump cool for a minimum of two hours before servicing this unit.

- Disassembly of the motor prior to expiration of warranty will void the warranty. It might also cause internal leakage and damage to the unit. If repairs are required, return the pump to the dealer from whom it was purchased or call 1-888-636-6628. If

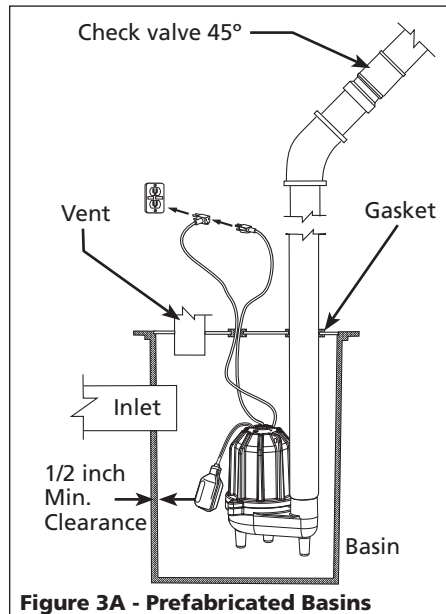


Figure 3A - Prefabricated Basins

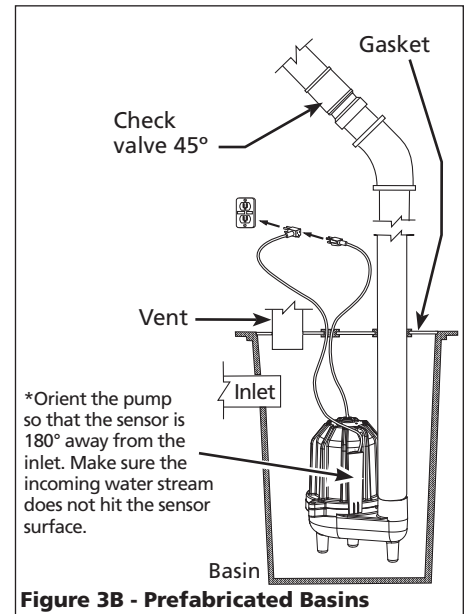


Figure 3B - Prefabricated Basins

motor is ever disassembled the o-rings must be replaced. Care must be taken to ensure that all seals do not leak.

- After the basin cover is removed and necessary discharge piping disconnected, lift pump from basin.
- Pump should be checked on a regular basis for proper operation. If anything has changed since unit was new, the unit should be removed and repaired or replaced. Only qualified electricians or service people should attempt to repair this unit. Improper repair and/or assembly can cause an electrical shock hazard.
- Place the pump in a suitable area where it can be cleaned thoroughly. Remove all scale and deposits on pump.

- Submerge the complete pump in a disinfectant solution (10% chlorine bleach solution) for at least one hour before handling the pump.
- Clean all dirt and deposits from the pump float. Make sure float moves freely after cleaning.
- Clean all dirt and deposits away from pump inlet and volute
- Clean water sensor surface (model BCAPSE40).

WARNING This pump contains dielectric motor oil for lubrication and motor heat transfer. This oil can be harmful to the environment. Check state environmental laws before disposing of this oil. This oil can be harmful to aquatic life so consideration should be exercised in the application of this pump.

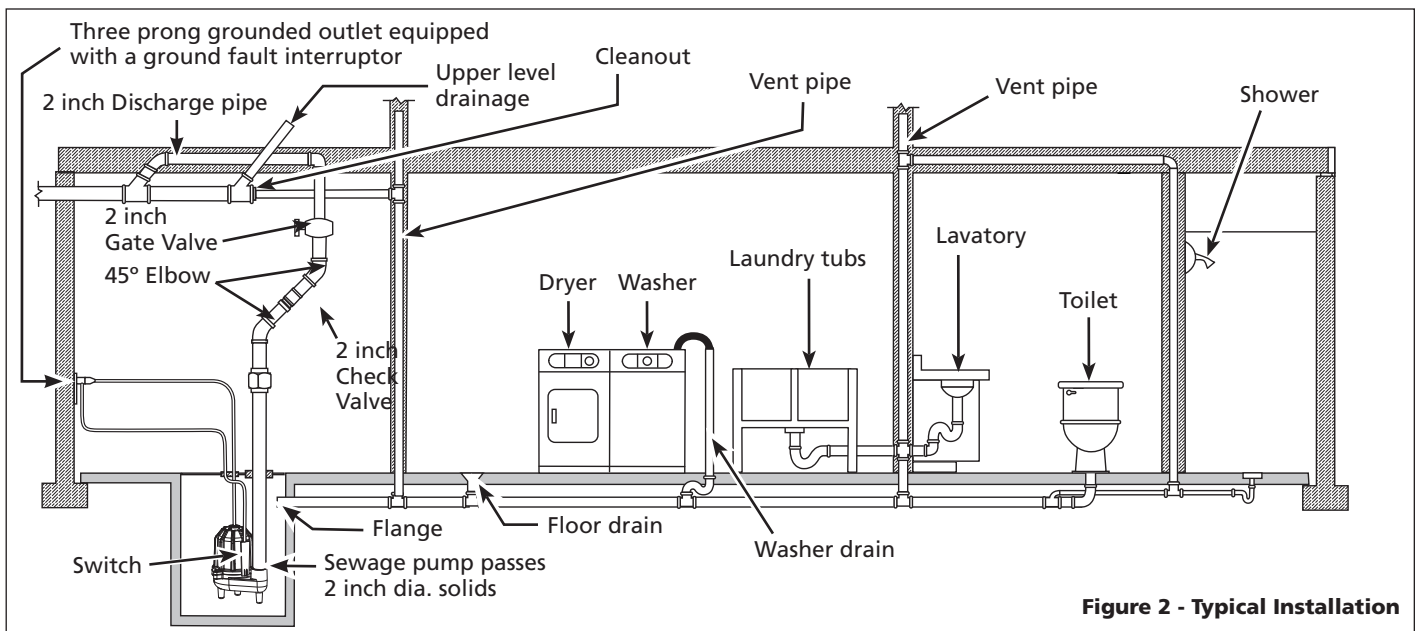


Figure 2 - Typical Installation

Troubleshooting Chart

Symptom	Possible Cause(s)	Corrective Action
Pump will not start or run	<ol style="list-style-type: none"> 1. Water level too low 2. Blown fuse or tripped circuit breaker 3. Low line voltage 4. Defective motor 5. Defective switch 6. Impeller (pump filled with debris) 7. Tangled tether switch (BCSE50T & BCSE50M) 8. Insufficient liquid level 	<ol style="list-style-type: none"> 1. Pump switch will not turn on unless water covers top of pump 2. If blown, replace with proper sized fuse or reset breaker 3. If voltage is under recommended minimum, check wiring size from the main switch on property. If OK, contact power company. 4. Return for service or replace motor 5. Replace float switch 6. If impeller will not turn, remove housing and remove debris 7. Arrange switch so the switch moves freely. Reposition pump if necessary 8. Make sure liquid level is at least 13 inches from the basin floor
Pump starts and stops too often	<ol style="list-style-type: none"> 1. Back flow of water from piping 2. Dirty capacitive water sensor 3. Faulty float switch 4. Check valve not installed or leaking 5. Discharge head is less than manufacturer's minimum 	<ol style="list-style-type: none"> 1. Install check valve 2. Reposition pump, clean sensor face 3. Replace float switch 4. Remove and examine check valve for proper installation and free operation 5. Recheck all sizing calculations to determine proper pump size
Pump shuts off and turns on independently of switch (trips thermal overload protection)	<ol style="list-style-type: none"> 1. Excessive water temperature 2. Defective switch or entangled switch is causing pump to run dry (BCSE50T & BCSE50M) 3. Low line voltage 	<ol style="list-style-type: none"> 1. Pump should not be used for water above 120° F 2. Replace or reposition pump <p>⚠ CAUTION <i>Pump may start unexpectedly. Disconnect power supply before servicing.</i></p> <ol style="list-style-type: none"> 3. If voltage is under recommended minimum, check wiring size from the main switch on property. If OK, contact power company
Pump operates noisily or vibrates excessively	<ol style="list-style-type: none"> 1. Worn bearings 2. Debris in impeller cavity or broken 3. Piping attachments to building structure too rigid or too loose 	<ol style="list-style-type: none"> 1. Return for service or replace 2. Remove housing, clean impeller and/or replace broken impeller 3. Replace portion of discharge pipe with flexible connector
Pump will not shut off	<ol style="list-style-type: none"> 1. Float switch movement restricted 2. Restricted discharge (obstruction in piping) 3. Excessive inflow or pump not properly sized for application 4. Defective switch 	<ol style="list-style-type: none"> 1. Reposition pump or clean basin as required to provide adequate clearance for float 2. Remove pump and clean pump & piping 3. Recheck all sizing calculation to determine proper pump size 4. Replace float switch
Pump operates but delivers little or no water	<ol style="list-style-type: none"> 1. Low line voltage 2. Debris caught in impeller or discharge 3. Worn or defective pump parts or plugged impeller 4. Pump running backwards 5. Pump not properly sized for application 6. Check valve stuck closed or installed backwards 7. Shut off valve closed 	<ol style="list-style-type: none"> 1. If voltage is under recommended minimum, check wiring size from the main switch on property. If OK, contact power company 2. Remove, clean and check for tightness 3. Replace worn parts or entire pump. Clean parts if required 4. Check rotation. (CCW from bottom) Return if CW 5. Recheck all sizing calculations to determine proper pump size 6. Remove and examine check valve for proper installation and free operation 7. Open valve

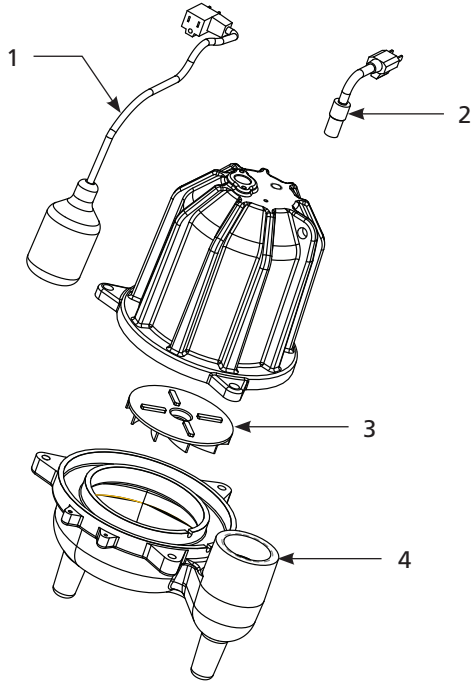
For replacement parts or technical assistance, call 1-888-636-6628

Please provide following information:

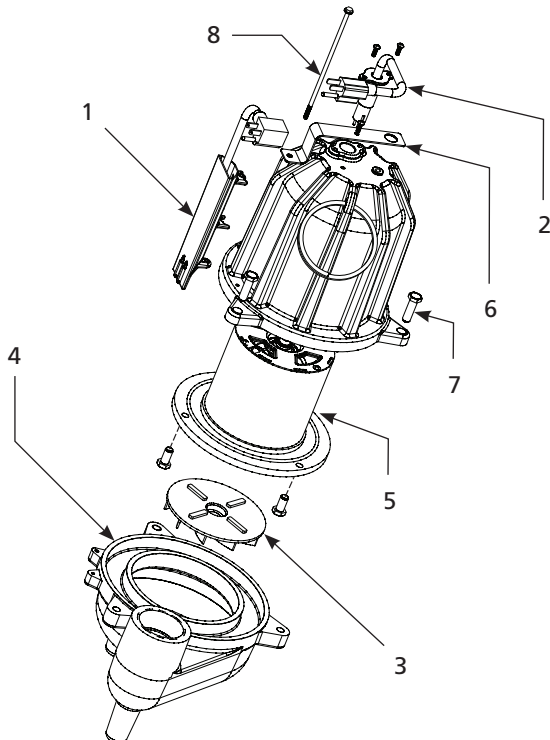
- Model number
- Serial number (if any)
- Part description and number as shown in parts list

Address parts correspondence to:

Blue Angel Pumps
101 Production Drive
Harrison, OH 45030 U.S.A.



Ref. No.	Description	Part Number	Qty
1	Mechanical switch Kit (CSE40T)	30000-009	1
	Mechanical switch Kit (CSE40T-2)	30000-003	1
2	Power cord (CSE40T)	31035-001	1
	Power cord (CSE40M, CSE40T-2)	31036-001	1
3	Impeller	17317-001	1
4	Volute	41027-001	1



Ref. No.	Description	Part Number	Qty
1	Capacitive Water Sensor	30037-002	1
2	Power Cord (BCAPSE50)	31035-001	1
3	Impeller	17317-001	1
4	Volute	41027-001	1
5	Motor Assembly with Shaft seal	8322	1
6	Bracket	7434	1
7	Through Bolt	16836-004	1
8	Screw	67050-001	3

Limited Warranty

For two years for CSE40M, CSE40T, and CSE40T-2 and five years for BCAPSE40 from the date of purchase, Blue Angel will repair or replace, at its option, for the original purchaser any part or parts of its Sump Pumps or Water Pumps ("Product") found upon examination by Blue Angel to be defective in materials or workmanship. Please call Blue Angel (888-636-6628) for instructions or see your dealer. Be prepared to provide the model number when exercising this warranty. All transportation charges on Products or parts submitted for repair or replacement must be paid by purchaser.

This Limited Warranty does not cover Products which have been damaged as a result of accident, abuse, misuse, neglect, improper installation, improper maintenance, or failure to operate in accordance with Blue Angel's written instructions.

THERE IS NO OTHER EXPRESS WARRANTY. IMPLIED WARRANTIES, INCLUDING THOSE OF MERCHANTABILITY AND FITNESS FOR A PARTICULAR PURPOSE, ARE LIMITED TO TWO YEARS FOR CSE40M, CSE40T, AND CSE40T-2 AND FIVE YEARS FOR BCAPSE40 FROM THE DATE OF PURCHASE. THIS IS THE EXCLUSIVE REMEDY AND ANY LIABILITY FOR ANY AND ALL INDIRECT OR CONSEQUENTIAL DAMAGES OR EXPENSES WHATSOEVER IS EXCLUDED.

Some states do not allow limitations on how long an implied warranty lasts, or do not allow the exclusions or limitations of incidental or consequential damages, so the above limitations might not apply to you. This limited warranty gives you specific legal rights, and you may also have other legal rights which vary from state to state.

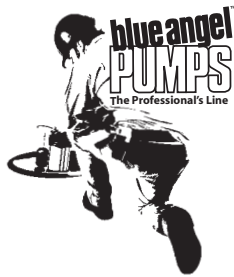
In no event, whether as a result of breach of contract warranty, tort (including negligence) or otherwise, shall Blue Angel or its suppliers be liable for any special, consequential, incidental or penal damages including, but not limited to loss of profit or revenues, loss of use of the products or any associated equipment, damage to associated equipment, cost of capital, cost of substitute products, facilities, services or replacement power, downtime costs, or claims of buyer's customers for such damages.

You **MUST** retain your purchase receipt along with this form. In the event you need to exercise a warranty claim, you **MUST** send a **copy** of the purchase receipt along with the material or correspondence. Please call Blue Angel (888-636-6628) for return authorization and instructions.

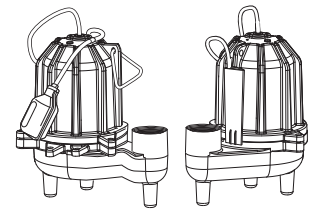
DO NOT MAIL THIS FORM TO Blue Angel. Use this form only to maintain your records.

MODEL NO. _____ SERIAL NO. _____ INSTALLATION DATE _____

ATTACH YOUR RECEIPT HERE



Veillez lire et conserver ces instructions. Lire attentivement avant de commencer à assembler, installer, faire fonctionner ou entretenir l'appareil décrit. Protégez-vous et les autres en observant toutes les informations sur la sécurité. Négliger d'appliquer ces instructions peut résulter en des blessures corporelles et/ou en des dommages matériels ! Conserver ces instructions pour références ultérieures.



Pompe Pour Eaux Usées

Description

Le pompe pour eaux usées est conçue pour les stations d'élevage d'eaux usées domestiques et est convenable pour le pompage des eaux usées, eaux d'égout, eaux résiduaires, eaux souterraines et autres liquides non-explosifs et non-corrosifs avec matières solides jusqu'à 5,08 cm (2 pouces). Le pompe est réglé par un interrupteur à flotteur avec une fiche dans une fiche qui accepte la fiche de la pompe et en tour se branche dans une prise de courant de 120 V. L'interrupteur à flotteur différentiel à large angle qui monte avec le niveau de liquide et met la pompe en marche. Quand le niveau du liquide baisse, le flotteur baisse et arrête la pompe.

Le BCAPSE40 est fourni avec un contrôle de niveau d'eau électronique à semi-conducteur. Lorsque de l'eau est détectée, la pompe démarre automatiquement. Cette pompe est conçue pour les stations d'élevage d'eaux usées domestiques.

Déballage

Vérifiez cette unité avant de l'utilisation. Parfois, un produit peut être endommagé pendant le transport. Si la pompe ou d'autres pièces ont subi de dommages, renvoyez l'unité à la place d'achat pour son remplacement. Si vous ne faites pas ça, vous risquez des blessures graves ou la perte de vie.

Directives De Sécurité

Ce manuel contient de l'information très importante qui est fournie pour la SÉCURITÉ et pour ÉVITER LES PROBLÈMES D'ÉQUIPEMENT. Recherchez les symboles suivants pour cette information.

⚠ DANGER Danger indique une situation hasardeuse imminente qui RÉSULTERA en perte de vie ou blessures graves.

⚠ AVERTISSEMENT Avertissement indique une situation hasardeuse potentielle qui PEUT résulter en perte de vie ou blessures graves.

⚠ ATTENTION Attention indique une situation hasardeuse potentielle qui PEUT résulter en blessures.

AVIS Avis indique de l'information importante pour éviter le dommage de l'équipement.

Généralités Sur La Sécurité

PROPOSITION 65 DE CALIFORNIE

⚠ AVERTISSEMENT Ce produit ou son cordon peuvent contenir des produits chimiques qui, de l'avis de l'État de Californie, causent le cancer et des anomalies congénitales ou autres problèmes de reproduction. Lavez-vous les mains après la manipulation.

1. Se familiariser avec l'application, les limites et les hasards potentiels de la pompe.

⚠ AVERTISSEMENT Ne pas utiliser pour le pompage des liquides inflammables ou explosifs tels que l'essence, l'huile à chauffage, le kérosène, etc. Ne pas utiliser dans un atmosphère inflammable et/ou explosif. Utiliser la pompe seulement avec les liquides qui sont compatibles avec les pièces détachées de la pompe. Ne pas suivre cet avertissement peut résulter en blessure grave et/ou dégâts matériels.



2. S'assurer que la source de courant (moteur électrique) se conforme aux exigences de l'équipement.

⚠ DANGER Débrancher la source de puissance avant de procéder au service. Si la source d'alimentation est hors vue, la verrouiller dans la position ouverte et l'étiquetter afin d'éviter une



Spécifications	BCSE50M & BCSE50T	BCAPSE50 & BCAPSE50-2
Alimentation requiert	120V, 60 hz	120V, 60hz
Exigences de circuit	15 A (min)	15 A (min)
Service du moteur	Intermittent	Intermittent
Moteur	120V, Monophasé	120V, Monophasé
Horse Power	4/10	4/10
Moteur à pleine charge	12.0 amps	8.7 amps
Gamme de température du liquide	4°C à 44°C (40°F à 120°F)	4°C à 44°C (40°F à 120°F)
Position de fonctionnement max	45° du vertical	45° du vertical
Dimensions	35,6 cm X 30,5 cm (14 po x 12 po)	35,6 cm X 30,5 cm (14 po x 12 po)
Entrée	5,05 cm (2 po)	5,05 cm (2 po)
Décharge	5,05 cm (2 po) NPT femelle	5,05 cm (2 po) NPT femelle
Niveau de démarrage (réglé à l'usine)	48,3 cm (19 po)	27,94 cm (11 po)
Niveau d'arrêt (réglé à l'usine)	22,9 cm (9 po)	7,6 cm (3 po)
Différentiel	25,4 cm (10 po)	17,78 cm (7 po)
Interrupteur	90° mécanique à long angle large interrupteur	Interrupteur
Cordon d'alimentation	Calibre16, 3 fils avec fiche	Calibre16, 3 fils avec fiche

Fabrication

Corps du moteur ... Acier laminé à froid
Carter du moteur Fonte
Volute Fonte
Turbine PBT renforcé de verre
Plaque d'étanchéité En fonte
Joint d'arbre Mécanique

Rendement

GALLONS PAR MINUTE À PLEINE HAUTEUR EN METERS		
18,9	37,85	56,78
27,43	18,90	7,01

MÉMENTO : Gardez votre preuve datée d'achat à fin de la garantie ! Joignez-la à ce manuel ou classez-la dans un dossier pour plus de sécurité.

Généralités Sur La Sécurité (suite)

application de puissance inattendue. Manque de suivre ces directives peut résulter en secousse électrique!

3. Dissiper toute la pression dans le système avant de procéder au service de n'importe quelle pièce détachée.
4. Purger tous liquides du système avant de procéder au service.

AVERTISSEMENT Cette pompe contient de l'huile à moteur diélectrique pour le transfert de chaleur du moteur. Attention en éliminant cette huile. Ne pas utiliser cette pompe dans les étangs ou les fontaines car l'huile à moteur pourrait être dangereux pour la vie aquatique.

5. Fixer la ligne de décharge avant de démarrer la pompe. Une ligne de décharge non-fixée peut fouetter et causer des blessures personnelles et/ou des dégâts matériels.
6. Inspecter les tuyaux pour la faiblesse et l'usure avant chaque utilisation et vérifier le serrage de tous les branchements.
7. Inspecter la pompe et les pièces détachées du système périodiquement. Exécuter l'entretien ordinaire (Se référer à la section d'Entretien).
8. Fournir un système de soulagement de pression pour les pompes avec lignes de décharge qui peuvent devenir obstruées ou coupées.
9. Sécurité Personnelle:
 - a. Toujours porter des lunettes de sécurité si vous travaillez avec les pompes.
 - b. Garder l'endroit de travail propre, non-encombré et bien illuminé. Ranger tous outils et équipement après l'usage.
 - c. Garder les visiteurs à une distance sûre de l'endroit de travail. Protéger l'atelier pour les enfants avec des cadenas, interrupteurs principaux et en enlevant les clefs de démarrage.
10. Pendant l'installation de fils d'une pompe électrique telle que celle-ci, suivre tous les codes de sécurité ainsi que les codes récents du National Electrical Code (NEC) et l'Occupational Safety and Health Act (OSHA).

AVERTISSEMENT Risque de secousse électrique! Ne jamais brancher le fil vert (ou vert et jaune) à une borne électrifiée!



11. Cet équipement est conçu pour un circuit de 120 v (monophasé) et est équipé d'un cordon approuvé à trois conducteurs et une fiche de terre à

trois broches telle qu'indiquée dans la Figure 1A et 1B.

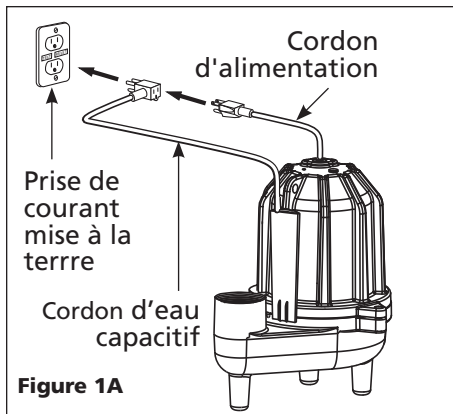


Figure 1A

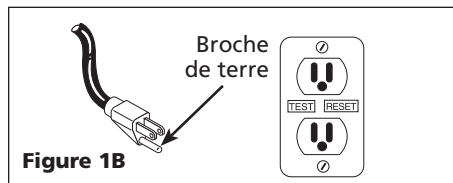


Figure 1B

Pour réduire le risque de secousse électrique, le moteur doit être mis à la terre correctement et avec sûreté comme suit:

- Introduire la fiche directement dans une prise de terre tripolaire, installée correctement et mise à la terre (tel qu'indiquée dans la Figure 1).
- Compléter une installation de fils permanente avec un système de canalisation en métal mis à la terre.
- Autres moyens acceptables.

Remplacer les prises à deux broches avec des prises à trois broches mises à la terre correctement selon les codes et ordonnances locaux et de NEC.

12. Toute installation de fils doit être performée par un électricien qualifié.
13. Il est recommandé que le modèle soit branché dans un disjoncteur de fuite à la terre (DDFT). Consulter un électricien local pour la disponibilité et l'installation.

AVERTISSEMENT Le moteur de la pompe est équipé d'un protecteur thermique à réenclenchement automatique et peut se mettre en marche subitement. Le déclenchement du protecteur est une indication de surcharge du moteur résultant du fonctionnement de la pompe à basse pression (restriction de décharge basse), tension extrêmement élevée ou basse, installation de fils insuffisante, conditions de moteur incorrectes, ou un moteur ou une pompe défectueux.

14. Cette pompe est conçue pour transporter l'eau en cycles. Utiliser cette pompe dans une application continue en manipulant l'interrupteur pour qu'il reste enclenché affectera la performance et l'espérance de vie du produit.

15. Protéger le cordon d'alimentation des objets pointus, surfaces chaudes, huile et produits chimiques. Ne pas tortiller le cordon. Remplacer ou réparer les cordons usés ou endommagés immédiatement. Utiliser des fils de taille suffisante pour minimiser la chute de tension au moteur.
16. Ne pas manipuler une pompe ou une pompe de moteur avec les mains trempées ni lorsque vous êtes debout sur une surface trempée ou humide, ou dans l'eau.
17. Ne pas pendre ce produit par l'anse. Les pompes pour eaux usées devraient être placées fermement sur leurs jambes et supportées avec de la tuyauterie rigide. Ceci empêche le tortillement et le dommage pendant le fonctionnement de la pompe.
18. Ne pas utiliser un cordon prolongateur.

DANGER Ne pas marcher dans un endroit trempé jusqu'à ce que toutes les sources de puissance soient coupées. Si la boîte d'arrêt est dans le sous-sol, contacter votre compagnie d'électricité pour couper le service à la maison ou contacter le corps de pompiers pour des directives. Enlever la pompe et la réparer ou la remplacer. Manque de suivre ces conseils peut résulter en secousse électrique mortelle.



Installation

AVIS

Utiliser un/des système(s) de sauvegarde là où il y a un risque de dégâts matériels et/ou blessures personnelles résultant d'une pompe qui ne fonctionne pas ou qui a des fuites à cause des manques de puissance, canalisations de décharge obstruées ou autres raisons.

1. Fileter le tuyau de décharge ou le mamelon de tuyau dans le raccord de décharge.
2. Si un clapet est utilisé, monter le clapet dans une position horizontale ou à un angle de 45° avec le pivot de la soupape en haut. Dans une position verticale, les solides ont tendance à se déposer sur le volet de la soupape et peuvent l'empêcher de s'ouvrir.
3. Percer un trou de 1/8 po dans le tuyau de décharge environ 1 à 2 po par dessus le décharge de la pompe lorsque vous utilisez un clapet. Le trou empêche le blocage par l'air de la pompe au départ initial et si elle perd l'amorçage.
4. Une vanne devrait être installée dans le système après le clapet. La vanne devrait être de type à orifice plein qui passera des solides de 2 po ou selon les exigences des codes

Installation (suite)

- locaux et de la Province. Cette vanne permet l'enlèvement de la pompe et/ou du clapet pour l'entretien.
5. Installer un raccord-union entre le clapet et la pompe pour que la pompe puisse être enlevée sans trop déranger la tuyauterie.
 6. BCSE modélés a un interrupteur à long détachable avec une fiche superposée (Voir figure 3A). La longueur du long (distance du cordon du flotteur à la pince) ne devrait pas être ajustée moins que 8,26-cm (3-1/4 po) et ne devrait pas être utilisé dans un bassin plus petit que 35,6-cm (14-po) de diamètre. Si vous utilisez un différentiel autre que celui réglé à l'usine, s'assurer que lorsque la pompe se coupe, qu'il y ait au moins 4 po de fluide dans le bassin pour que la turbine reste submergée.
 7. Les modèles BCAPSE50 sont fournis avec un capteur d'eau capacitif. Orienter la pompe dans le bassin pour que le capteur d'eau soit à 180° de l'entrée. S'assurer que le jet d'eau entrant ne frappe pas la surface du capacitif (voir la figure 3B).
 8. Lorsque vous utilisez un interrupteur ancré, il faut une tuyauterie de décharge rigide. Si la pompe peut se déplacer, l'interrupteur ancré peut être limité par le mur du bassin, empêchant la pompe de fonctionner.

ATTENTION Avant d'enlever la pompe du bassin pour l'entretien, toujours couper la puissance à la pompe et à l'interrupteur de commande. Pour procéder à l'entretien de la pompe ou l'interrupteur, TOUJOURS débrancher le cordon d'alimentation. Ne pas seulement couper le disjoncteur ou desserrer le fusible.

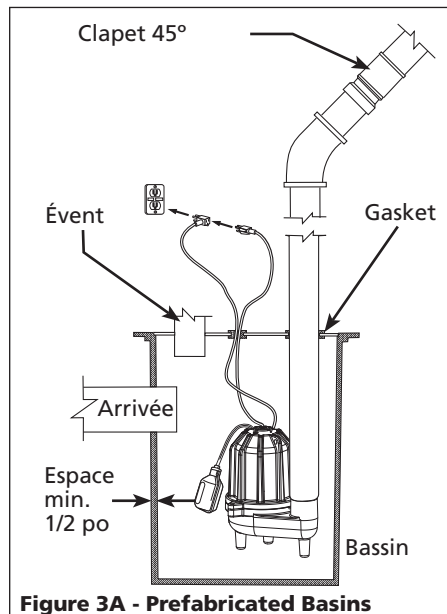


Figure 3A - Prefabricated Basins

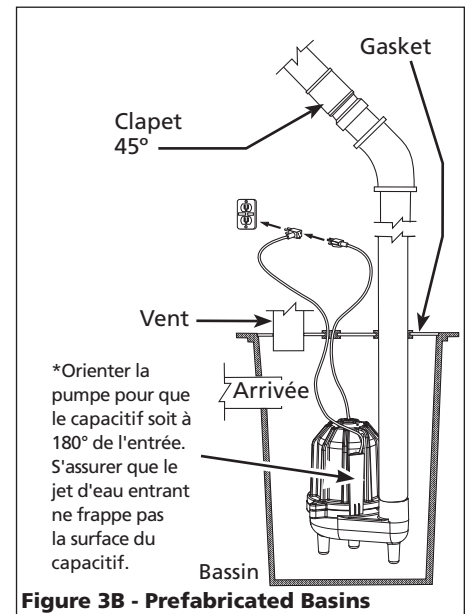


Figure 3B - Prefabricated Basins

Entretien

AVERTISSEMENT S'assurer que la pompe soit débranchée avant d'essayer de procéder à l'entretien ou d'enlever les pièces détachées. La pompe est montée à l'usine avec de l'équipement spécial, donc seulement un centre de service autorisé ou un électricien qualifié devrait essayer de réparer ce modèle. La réparation incorrecte peut causer un hasard de secousse électrique.

AVIS La pompe contient de l'huile qui peut être sous pression à cause de la chaleur. Permettre que la pompe se refroidisse pour un minimum de deux heures avant de procéder à l'entretien de ce modèle.

1. Démontez le moteur avant l'expiration de la garantie annulera la garantie. Il est aussi possible de causer des fuites internes et le dommage au modèle. Si

la réparation est nécessaire, retourner la pompe au marchand de qui vous l'avez achetée ou composer le 1-888-636-6628. Si le moteur est démonté, les joints toriques doivent être remplacés. Faites attention qu'il n'y ait pas de fuites aux joints.

2. Enlever le couvercle du bassin et débrancher la tuyauterie de décharge avant de soulever la pompe du bassin.
3. Inspecter la pompe par intervalles réguliers pour le fonctionnement correct. S'il y a eu des changements depuis l'achat du modèle, l'enlever et le réparer ou le remplacer. Seulement un électricien ou des personnes de service qualifiées devraient essayer de réparer ce modèle. La réparation et/ou le montage incorrect peuvent résulter en hasard de secousse électrique.

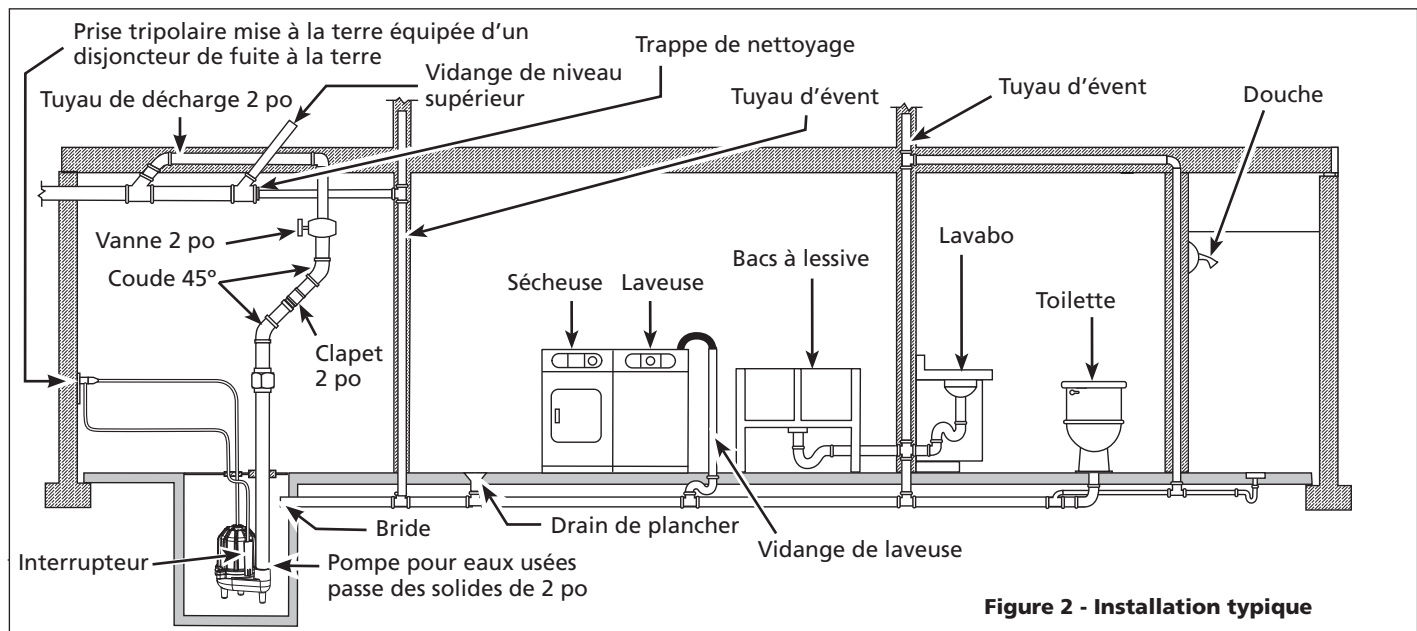


Figure 2 - Installation typique

Entretien (suite)

4. Situer la pompe dans un endroit convenable, là ou il peut être bien nettoyé. Enlever tous les déchets et dépôts sur la pompe.
5. Immerger la pompe entière dans une solution désinfectante (10% solution de blanchissage) pour au moins une heure avant de manipuler la pompe.
6. Nettoyer toute la saleté du flotteur de la pompe. S'assurer que le flotteur se déplace librement suite au nettoyage.
7. Nettoyer toute saleté et dépôts de l'arrivée de la pompe et la volute.
8. Nettoyer la surface du capteur (BCAPSE40).

⚠ AVERTISSEMENT Cette pompe contient de l'huile de moteur dielectrique pour le graissage et le transfert de chaleur du moteur. Cet huile peut nuire à l'environnement. Consulter les règlements locaux avant de se débarasser de l'huile. Considérer que cet huile peut nuire à la vie aquatique lorsque vous choisissez d'utiliser cette pompe.

Guide de Dépannage

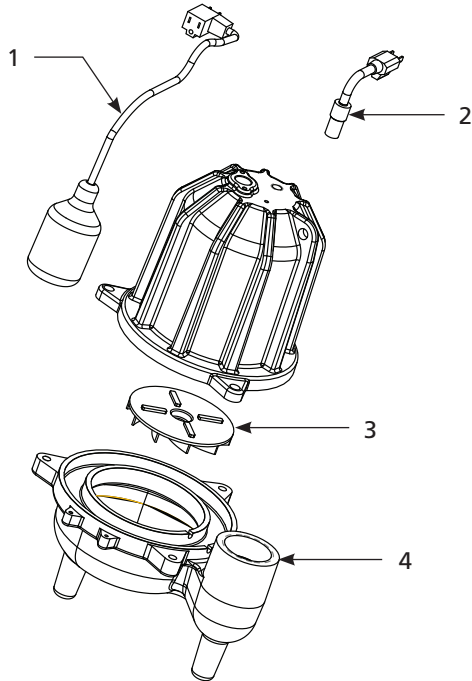
Symptôme	Cause(s) Possible(s)	Mesure Corrective
La pompe ne se démarre pas et ne fonctionne pas	<ol style="list-style-type: none"> 1. Niveau d'eau trop bas 2. Fusible sauté ou disjoncteur déclenché 3. Tension de ligne basse 4. Moteur défectueux 5. Interrupteur flotteur défectueux 6. Impulseur (pompe remplie de débris) 7. Interrupteur enmêlé (CSE40T & CSE40M) 8. Niveau de liquide insuffisant 	<ol style="list-style-type: none"> 1. L'interrupteur de la pompe ne se met pas en marche sans que l'eau recouvre le haut de la pompe 2. Si sauté, remplacer avec un fusible de taille correcte ou réenclencher le disjoncteur 3. Si la tension est sous le minimum recommandé, vérifier la taille des fils de l'interrupteur général de la propriété. Si correcte, contacter la compagnie de service publique. 4. Retourner pour l'entretien ou remplacer le moteur 5. Remplacer l'interrupteur flotteur 6. Si la turbine ne tourne pas, enlever le carter et enlever le débris 7. Positionner l'interrupteur pour qu'elle se déplace librement. Déménager la pompe si nécessaire 8. S'assurer que le niveau de liquide soit au moins 33,02 cm (13po) du fond du bassin
La pompe se démarre et s'arrête trop souvent	<ol style="list-style-type: none"> 1. Refoulement d'eau de la tuyauterie 2. Capteur d'eau capacitif sale 3. Interrupteur flotteur défectueux 4. Clapet non-installé ou qui a des fuites 5. Hauteur de décharge inférieur au minimum du fabricant 	<ol style="list-style-type: none"> 1. Installer un clapet 2. Replacer la pompe, nettoyer la face du capteur. 3. Remplacer l'interrupteur flotteur 4. Enlever et examiner le clapet pour l'installation correcte et le fonctionnement libre 5. Vérifier de nouveau les calculs de taille pour déterminer la taille de pompe correcte
La pompe s'arrête et se démarre indépendamment de l'interrupteur (déclenche le protecteur de surcharge thermique)	<ol style="list-style-type: none"> 1. Température d'eau excessive 2. Interrupteur défectueux ointerrupteur enmêlé cause que la pompe fonctionne à sec (CSE40T & CSE40M) 3. Tension de ligne basse 	<p>⚠ ATTENTION La pompe peut se démarrer subitement. Débrancher la source de puissance avant de procéder à l'entretien</p> <ol style="list-style-type: none"> 1. La pompe ne devrait pas être utilisée pour l'eau au delà de 44° C (120° F) 2. Remplacer ou repositionner la pompe 3. Si la tension est sous le minimum recommandé, vérifier la taille des fils de l'interrupteur général de la propriété. Si correcte, contacter la compagnie de service publique
La pompe fonctionne bruyamment et vibre excessivement	<ol style="list-style-type: none"> 1. Roulements usés 2. Débris dans la cavité de l'impulseur ou en panne 3. Raccords de tuyauterie à l'édifice trop rigides ou trop desserrés 	<ol style="list-style-type: none"> 1. Retourner pour l'entretien ou remplacer 2. Enlever le carter, nettoyer la turbine et/ou remplacer la turbine en panne 3. Remplacer la section de tuyau de décharge avec un raccord flexible
La pompe ne s'arrête pas	<ol style="list-style-type: none"> 1. Mouvement de l'interrupteur flotteur limité 2. Décharge limité (tuyauterie obstruée) 3. Arrivée excessive ou pompe de taille incorrecte pour l'application 4. Interrupteur flotteur défectueux 	<ol style="list-style-type: none"> 1. Positionner de nouveau la pompe ou nettoyer le bassin au besoin pour fournir l'espace nécessaire pour le flotteur 2. Enlever la pompe et nettoyer la pompe et la tuyauterie 3. Vérifier de nouveau les calculs de taille pour déterminer la taille de pompe correcte 4. Remplacer l'interrupteur flotteur
La pompe fonctionne mais délivre peu ou pas d'eau	<ol style="list-style-type: none"> 1. Tension de ligne basse 2. Débris pris dans l'impulseur ou le décharge 3. Pièces de la pompe usées ou défectueuses, ou impulseur obstrué 4. Pompe fonctionne à l'envers 5. Pompe de mauvaise taille pour l'application 6. Clapet pris dans la position fermée ou installée à l'envers 7. Soupape d'arrêt fermée 	<ol style="list-style-type: none"> 1. Si la tension est sous le minimum recommandé, vérifier la taille des fils de l'interrupteur général de la propriété. Si correcte, contacter la compagnie de service publique. 2. Enlever, nettoyer et vérifier le serrage 3. Remplacer les pièces usées ou la pompe entière. Nettoyer les pièces au besoin 4. Vérifier la rotation. (sens contraire des aiguilles d'une montre du bas) Retourner si au sens des aiguilles d'une montre 5. Vérifier de nouveau les calculs de taille pour déterminer la taille de pompe correcte 6. Enlever et examiner le clapet pour l'installation correcte et le fonctionnement libre 7. Ouvrir la soupape

Pour des pièces de rechange ou l'assistance technique, composer 1-888-636-6628

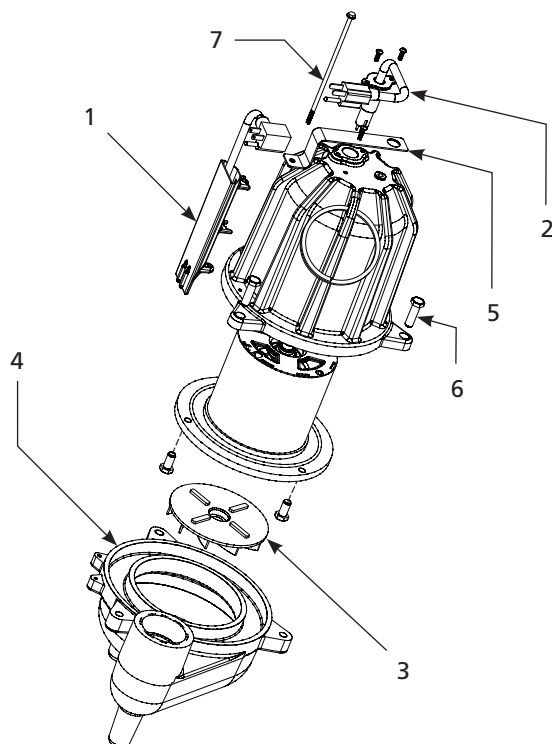
S'il vous plaît fournir l'information suivante :

- Numéro de modèle
- Numéro de série (si applicable)
- Description et numéro de pièce d'après la liste de pièces

Correspondance :
Blue Angel Pumps
101 Production Drive
Harrison, OH 45030 U.S.A.



Ref. No.	Description	Part Number	Qty
1	Interrupteur à flotteur ancré (CSE40T)	30000-009	1
	Interrupteur à flotteur ancré (CSE40T-2)	30000-003	1
2	Cordon d'alimentation (CSE40T)	31035-001	1
	Cordon d'alimentation (CSE40M, CSE40T-2)	31036-001	1
3	Rotor	17317-001	1
4	Volute	41027-001	1



Ref. No.	Description	Part Number	Qty
1	Le capteur d'eau capacitif	30037-002	1
2	Cordon d'alimentation, 10 pi	31035-001	1
3	Rotor	17317-001	1
4	Volute	41027-001	1
5	Assemblage du moteur avec garniture d'étanchéité	8322	1
6	Support	7434	1
7	Boulon traversant	16836-004	1
8	Vis	67050-001	3

Garantie Limitée à Vie

Pendant deux ans pour les modèles CSE40M, CSE40T, et CSE40T-2 et cinq ans pour le modèle BCAPSE40 à compter de la date d'achat, Blue Angel Pumps réparera ou remplacera, à sa discrétion, à l'acheteur original toute pièce ou pièces de ses Pompes de puisard ou ses Pompes à l'eau (le « Produit ») qui s'avère défectueux au niveau des matériaux ou de la main d'œuvre suite à un examen de la part de Blue Angel. S'il vous plaît appeler Blue Angel (888-636-6628) pour des instructions ou contacter votre marchand. S'assurer d'avoir, à votre disposition, le numéro du modèle afin d'effectuer cette garantie. Les frais de transport des Produits ou pièces soumis pour la réparation ou le remplacement sont la responsabilité de l'acheteur.

Cette Garantie Limitée ne couvre pas les Produits qui se sont fait endommagés en résultat d'un accident, utilisation abusive, mauvais usage, négligence, l'installation incorrecte, entretien incorrect, ou manque d'utilisation conformément aux instructions écrit de Blue Angel.

IL N'Y A PAS D'AUTRE GARANTIE EXPLICITE OU IMPLICITE, Y INCLUS CELLES DE QUALITÉ MARCHANDE ET D'UTILITÉ PARTICULIÈRE, SE LIMITENT À DEUX ANS POUR LE CSE40M, CSE40T, ET CSE40T-2, ET À CINQ ANS POUR LE BCAPSE40 À COMPTER DE LA DATE D'ACHAT. CECI EST LA REMÈDE EXCLUSIVE ET N'IMPORTE QUELLE RESPONSABILITÉ POUR N'IMPORTE QUEL ET TOUT DOMMAGES INDIRECTS OU DÉPENSES QUOI QUE SE SOIT EST EXCLUS.

Certaines Provinces n'autorisent pas de limitations de durée pour les garanties implicites, ni l'exclusion ni la limitation des dommages fortuits ou indirects. Les limitations précédentes peuvent donc ne pas s'appliquer. Cette garantie limitée donne, à l'acheteur, des droits légaux précis, et vous pouvez avoir autres droits légaux qui sont variable d'une Province ou d'un État à l'autre.

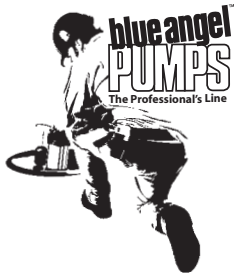
En aucun cas, soit par suite d'un rupture de contrat de garantie, acte dommageable (y compris la négligence) ou autrement, ni Blue Angel ou ses fournisseurs seront responsables pour aucune dommage spéciale, incidentel ou pénal, y compris, mais pas limité à la perte de profits ou recettes, la perte d'usage des produits ou n'importe quel équipement associé, dommage à l'équipement associé, coût de capital, coût de produits remplaçants, aménagements, services ou abilité de remplacement, coût de temps que le produit n'est pas en service, ou la réclamation des clients de l'acheteur pour ces dommages.

Vous **DEVEZ** garder votre facture d'achat avec ce bulletin. Il est **NÉCESSAIRE** d'envoyer une **copie** de la recette d'achat avec le matériel ou correspondance afin d'effectuer une réclamation de la garantie. S'il vous plaît appeler Blue Angel (888-636-6628) pour l'autorisation et instructions concernant le renvoi.

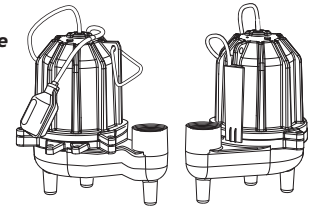
NE PAS ENVOYER, PAR LA POSTE, CE BULLETIN À BLUE ANGEL. Utiliser ce bulletin seulement pour vos archives.

N° DU MODÈLE _____ N° DE SÉRIE _____ DATE D'INSTALLATION _____

FIXER VOTRE FACTURE ICI



Por favor lea y guarde estas instrucciones. Léalas cuidadosamente antes de tratar de montar, instalar, operar o dar mantenimiento al producto aquí descrito. Protéjase usted mismo y a los demás observando toda la información de seguridad. ¡El no cumplir con las instrucciones puede ocasionar daños, tanto personales como a la propiedad! Guarde estas instrucciones para referencia en el futuro.



Bomba para Cloacas

Descripción

La bomba para cloacas se puede usar para bombear sistemas de desagüe, efluentes, aguas negras, aguas freáticas y otros líquidos no-explosivos y no-corrosivos con sólidos de hasta 5,08 cm (2 inch). El sistema es controlado por un interruptor flotante con un sistema de enchufes dobles conectado a la bomba y a un tomacorrientes de 120 voltios. Le interruptor de flotador diferencial de ángulo amplio que sube con el nivel del líquido y enciende la bomba. Cuando el nivel de líquido disminuye el flotante baja y apaga la bomba.

El modelo BCAPSE40 trae un control electrónico de estado sólido para el nivel de agua. La bomba se enciende automáticamente cuando se detecta la presencia de agua. Esta bomba está diseñada para sistemas de cloacas domésticos.

Desempacar

Revise esta unidad antes de usarla. A veces, el producto puede sufrir daños durante el transporte. Si la bomba u otras piezas se han dañado, devuelva la unidad

al lugar donde ha sido comprada para que la sustituyan. De no hacer eso, se pueden producir serios daños o la muerte.

Directives De Sécurité

Este manual contiene información que es muy importante que sepa y comprenda. Esta información se la suministramos como medida de SEGURIDAD y para EVITAR PROBLEMAS CON EL EQUIPO. Debe reconocer los siguientes símbolos.

▲ PELIGRO Esto le indica que hay una situación inmediata que LE OCASIONARIA la muerte o heridas de gravedad.

▲ ADVERTENCIA Esto le indica que hay una situación que PODRIA ocasionarle la muerte o heridas de gravedad.

▲ PRECAUCION Esto le indica que hay una situación que PODRIA ocasionarle heridas no muy graves.

AVISO Esto le indica una información importante, que de no seguirla, le podría ocasionar daños al equipo.

Informaciones

Generales de Seguridad

PROPOSICIÓN DE CALIFORNIA 65

▲ ADVERTENCIA Este producto, o su cordón eléctrico, puede contener productos químicos conocidos por el estado de California como causantes de cáncer y defectos de nacimiento u otros daños reproductivos. Lave sus manos después de usar.

GENERALES DE SEGURIDAD

1. Familiarícese con las aplicaciones adecuadas para el equipo, sus limitaciones y los peligros al usarlo.

▲ ADVERTENCIA No use esta bomba para bombear fluidos inflamables o explosivos tales como gasolina, combustibles, kerosene, etc. No la use en atmósferas inflamables o explosivas. La bomba sólo se debe usar para bombear agua pura. De lo contrario pudiera ocasionarle heridas de gravedad y/o la muerte.



2. Cerciérese de que el motor eléctrico sea adecuado para el equipo.

▲ PELIGRO Desconecte el cordón eléctrico antes de darle servicio. Si el tomacorrientes está fuera de su alcance, apague la



Especificaciones	BCSE50M & BCSE50T	BCAPSE50 & BCAPSE50-2
Requerimientos del circuito	120V, 60 hz	120V, 60hz
Requerimientos eléctricos	15 amperios (mín)	15 amperios (mín)
Ciclo del motor	Intermitente	Intermitente
Motor	120V, 1 fase	120V, 1 fase
Caballos de fuerza	4/10	4/10
Motor (Cap. máx.)	12.0 amperios	8.7 amperios
Temp. de funcionamiento	4°C a 44°C (40°F to 120°F)	4°C a 44°C (40°F to 120°F)
Posición máx. de funcionamiento	45° de la posición vertical	45° de la posición
Dimensiones	35,6 cm X 30,5 cm (14 inch x 12 inch)	35,6 cm X 30,5 cm (14 inch x 12 inch)
Orificio de Entrada	5,05 cm (2 inch)	5,05 cm (2 inch)
Orificio de Salida	5,05 cm (2 inch) NPT (hembra)	5,05 cm (2 inch) NPT (hembra)
Nivel para encender (fijado de fábrica)	48,3 cm (19 inch)	48,3 cm (19 inch)
Nivel para apagar (fijado de fábrica)	22,9 cm (9 inch)	22,9 cm (9 inch)
Diferencial	25,4 cm (10 inch)	25,4 cm (10 inch)
Interruptor	interruptor mecánicode ángulo de 90°	Sensor capacitivo
Cordón eléctrico	Calibre 16 con 3 cables y enchufe	Calibre 16 con 3 cables y enchufe

Materiales de fabricación

Material del motor Acero laminado en frío
Cubierta del motor Hierro colado
Caja espiral Hierro colado
Impulsor Plástico PBT reforzado con vidrio
Sello de la placa Hierro colado
Sello del eje Mecánico

Rendimiento

LITERS POR MINUTO A LA DISTANCIA TOTAL DE DESCARGA EN METROS

18,9	37,85	56,78
27,43	18,90	7,01

RECORDATORIO: ¡Guarde su comprobante de compra con fecha para fines de la garantía! Adjúntela a este manual o archívela en lugar seguro.

Informaciones Generales de Seguridad (Continuación)

unidad con el interruptor y asegúrelo de modo que la unidad no pueda encenderse accidentalmente. ¡De no hacerlo podría morir electrocutado!

3. Libere toda la presión del sistema antes de darle servicio a cualquier componente.
4. Drene todos los líquidos del sistema antes de darle servicio.

⚠ ADVERTENCIA *Esta bomba contiene aceite de motor dieléctrico para la transferencia del calor del motor. Se debe tener cuidado cuando se deseché este aceite. No use esta bomba en estanques o fuentes ya que el aceite de motor puede ser nocivo para la vida acuática.*

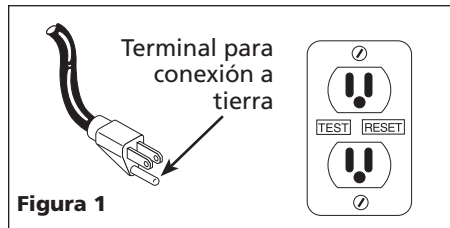
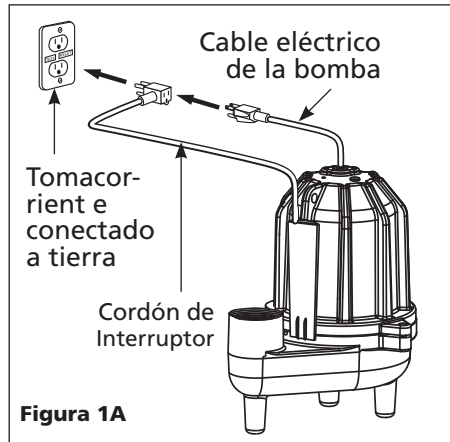
5. Asegure la línea de descarga antes de encender la bomba. De lo contrario, ésta se enrollará y podría ocasionarle heridas o daños a su propiedad.
6. Antes de cada uso, inspeccione las mangueras, para ver si están dañadas o desgastadas y cerciórese de que las conexiones estén bien apretadas.
7. Chequee la bomba y otros componentes frecuentemente. Déle el mantenimiento necesario según las instrucciones en la sección de mantenimiento.
8. Cerciórese de que haya un sistema auxiliar de descarga en caso de que la línea de salida esté fuera de servicio u obstruida.
9. Seguridad Personal:
 - a. Siempre use anteojos de seguridad cuando vaya a trabajar con la bomba.
 - b. Mantenga el área de trabajo limpia, despejada y bien iluminada; guarde todas las herramientas que no esté usando.
 - c. Mantenga a los visitantes alejados del área de trabajo. Cerciórese de tomar todas las medidas de seguridad necesarios para evitar accidentes con niños (use candados y cortacircuitos y no deje las llaves al alcance de los niños).
10. Para instalar el alambrado de bombas eléctricas, tales como la descrita en este manual, siga todos los códigos de seguridad laboral y electricidad establecidos en su país, por ejemplo los de la NEC y OSHA en EE.UU.

⚠ ADVERTENCIA *¡Peligro de choque eléctrico! Nunca conecte los cables verdes o verde con rayas amarillas, a un terminal con tensión.*



11. Este equipo está diseñado sólo para funcionar en circuitos de 120 voltios

(monofásicos) y está equipado con un cordón eléctrico de 3 cables y 3 terminales para conexión a tierra tal como se muestra en la Figura 1.



Para reducir el riesgo de electrocutarse, el motor se debe conectar a tierra adecuadamente. Para hacerlo:

- Conecte el enchufe directamente a un tomacorrientes similar al de la Figura 1 que esté instalado y conectado a tierra correctamente.
- Conecte a tierra la unidad permanentemente, usando un sistema metálico.
- Otros métodos adecuados.

Si el tomacorrientes disponible es de dos orificios, debe reemplazarlo con un tomacorrientes de 3 orificios. Debe seguir todos los códigos y ordenanzas locales para instalar el tomacorrientes.

12. Todos los trabajos de electricidad los debe hacer un electricista calificado.
13. Es altamente recomendable que utilice un tomacorrientes que tenga un sistema de cortacircuito incorporado. Consúltele a un electricista local para ver si éstos están disponibles en su área.

⚠ ADVERTENCIA *El motor de la bomba tiene un sistema de protección térmica y puede comenzar a funcionar sin previo aviso. Si este sistema se activa es una indicación de que el motor está sobrecargado debido a que la distancia de descarga es muy baja, voltajes excesivamente bajos o altos, alambrado inadecuado, condiciones inadecuadas para el motor o el motor o la bomba están dañados.*

14. Esta bomba está diseñada para funcionar en ciclos. Si le modifica

el interruptor para que funcione continuamente, afectará el rendimiento y la duración de la unidad.

15. Proteja el cordón eléctrico contra objetos afilados, superficies calientes, aceite y químicos. Evite que el cordón se enrolle. Reemplace o repare el cordón inmediatamente cuando se dañe. Use cordones del calibre adecuado para evitar pérdidas de voltaje del motor.
16. No toque la bomba o el motor con las manos mojadas o cuando esté parado en una superficie húmeda o en agua.
17. No cuelgue la bomba por el mango. Estas bombas deben estar firmemente instaladas sobre sus patas y conectadas a una tubería rígida. Ésto evita que se mueva y se dañe durante el uso.
18. **No use cordones de extensión.**

⚠ PELIGRO *No camine en un área húmeda antes de desconectar la energía eléctrica. Si el cortacircuito está fuera de su alcance (en el sótano), llame a la compañía de electricidad o al cuerpo de bombero para que le asistan. Desconecte la bomba y repárela o reemplácela. Si no sigue estas instrucciones podría morir electrocutado.*



Instalación

AVISO *Si hay peligro de que sufra heridas personales o daños a su propiedad si la bomba se daña o tiene fugas debido a interrupciones en el servicio eléctrico, obstrucciones en la línea de descarga o cualquier otra razón, instale un sistema auxiliar.*

1. Enrosque la tubería de descarga o el niple en el orificio de descarga de la unidad.
2. Si usa una válvula de chequeo, en un sistema con presencia de sólidos, instálela en posición horizontal o en un ángulo de 45° con muñón hacia arriba. En la posición vertical, los sólidos tienden a permanecer en las chapaletas de la válvula y pueden evitar que se abra.
3. Cuando use una válvula de chequeo, taladre un orificio de 3,2 mm (1/8 inch) en la tubería de descarga aproximadamente a 2,54 -5,08 cm (1 inch ó 2 inches) por encima del orificio de descarga de la bomba. Este orificio evita que el aire obstruya la bomba al encenderla por primera vez o cuando pierda el cebado.
4. Debe instalar una válvula de entrada inmediatamente después de la válvula de chequeo. Esta válvula debe permitir el paso de sólidos de 5,08 cm (2 inch) o lo establecido por los códigos y ordenanzas locales.

Instalación (Continuación)

Esta válvula le permite desconectar la bomba o la válvula de chequeo cuando vaya a darles servicio.

- Debe conectar un empalme entre la válvula de chequeo y la bomba de modo que pueda desconectar la bomba fácilmente.
- BCSE modelos tiene un interruptor/ flotante desmontable con un enchufe incorporado (vea la Figura 3). La longitud del cordón entre el flotante y la abrazadera no debe ser menos de 8,26 cm (3-1/4 inch) y no se debe usar en una pileta de menos de 35,6-cm (14 inch) de diámetro. Si va a usar un diferencial diferente al fijado de fábrica, cerciórese de que cuando la bomba se apague todavía haya por lo menos 10,2-cm (4 inch) de agua en la pileta de modo que el impulsor permanezca sumergido.
- Cuando use un interruptor flotante debe usar una tubería de descarga rígida. Si la bomba se mueve, el interruptor flotante podría hacer contacto con las paredes de la pileta y la bomba no funcionaría.
- Lorsque vous utilisez un interrupteur ancré, il faut une tuyauterie de décharge rigide. Si la pompe peut se déplacer, l'interrupteur ancré peut être limité par le mur du bassin, empêchant la pompe de fonctionner.

PRECAUCION Antes de sacar la bomba de la pileta para darle servicio, siempre desconecte el cordón eléctrico de la bomba y el interruptor. Antes de darle servicio a la bomba o al interruptor SIEMPRE desconecte el cordón eléctrico. No desactive el cortacircuito o saque un fusible.

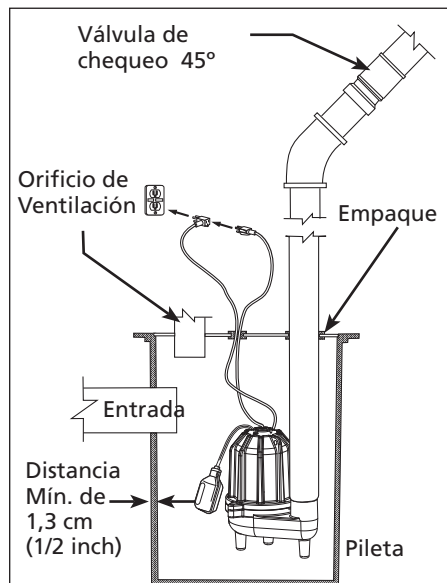


Figura 3A - Piletas Prefabricadas

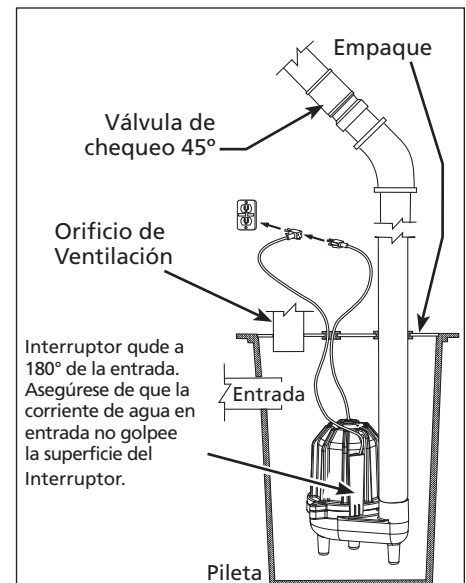


Figura 3B - Piletas Prefabricadas

Mantenimiento

ADVERTENCIA Siempre desconecte el cordón eléctrico antes de tratar de darle servicio o desconectar un componente. Esta bomba se ensambla en la fábrica usando equipo especiales; por lo tanto sólo los técnicos (electricistas) especializados o el personal de los centros de servicio autorizado deben tratar de reparar esta unidad. De lo contrario podría ocasionar peligro de electrocutamiento.

AVISO Esta bomba contiene aceite que podría estar bajo presión debido al calor. Espere a que la bomba se enfríe por lo menos durante 2 horas antes de darle servicio.

- Si desmantela el motor antes de la fecha de expiración de la garantía, esta quedaría cancelada. Igualmente, podría

ocasionar fugas internas y daños a la unidad. Si necesita reparación, envíe la bomba a la tienda donde la compró o comuníquese con el distribuidor más cercano a su domicilio. Si desmantela el motor deberá reemplazarlo los anillos en O. Debe cerciorarse de que los sellos no tengan fugas.

- Después de destapar la pileta y desconectar las tuberías necesarias, saque la bomba de la pileta.
- Chequee la bomba periódicamente para ver si está en buen estado. Si el sistema ha cambiado después de instalar la unidad, debe desconectar y reemplazar la bomba. Sólo electricistas calificados deben tratar de reparar esta unidad. Reparaciones y/o ensamblajes incorrectos podrían ocasionar peligro de electrocución.

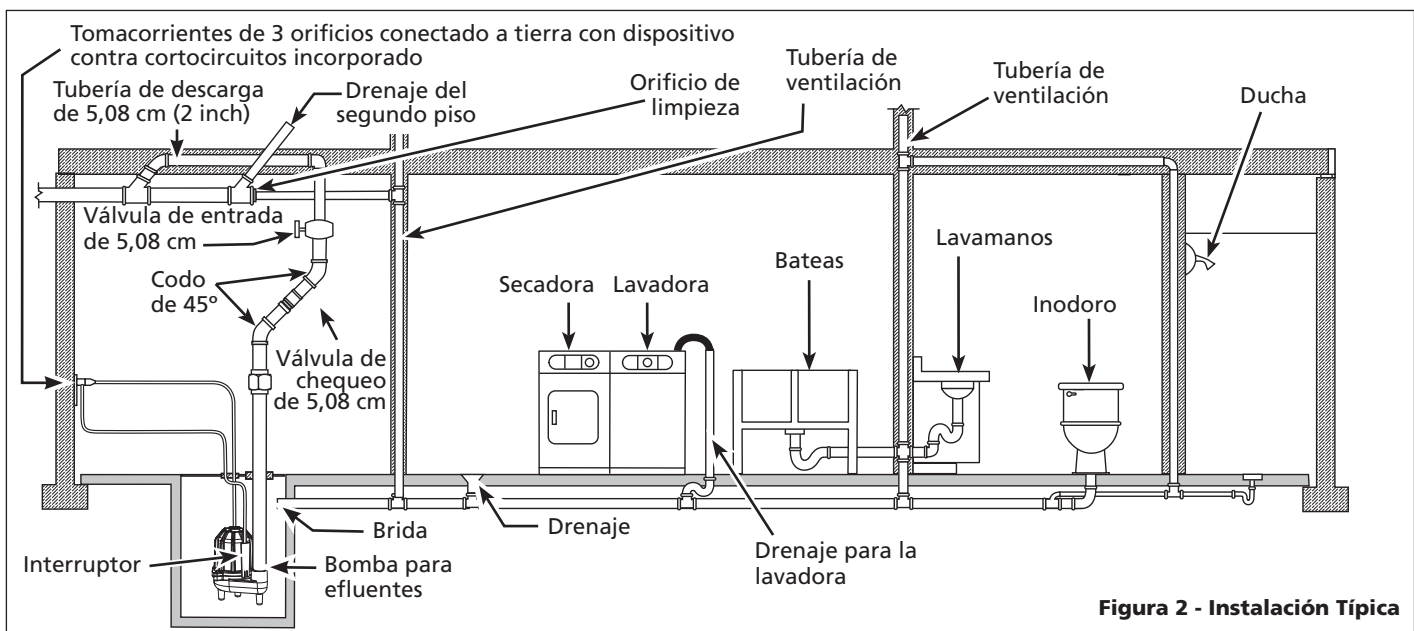


Figura 2 - Instalación Típica

Mantenimiento (continuación)

4. Coloque la bomba en un sitio adecuado para limpiarla completamente. Quítele todos los residuos e impurezas a la bomba.
5. Sumerje toda la bomba en una solución desinfectante (10% de lejía) por lo menos durante una hora antes de tocar la unidad.
6. Limpie bien el flotante de la bomba. Cerciórese de que el flotante se puede mover libremente después de limpiarlo.
7. Limpie bien el orificio de entrada de la bomba y la voluta.
8. Limpie la superficie del sensor capacitivo (BCAPSE40).

⚠ ADVERTENCIA *Esta bomba contiene aceite para motores dieléctricos para lubricar el motor y transferir calor. Este aceite podría contaminar el ambiente. Consulte las ordenanzas de contaminación ambiental antes de tirar este aceite. Este aceite podría ser dañino para los animales acuáticos, por lo tanto debe tomar ésto en consideración cuando vaya a usar la bomba.*

Guía de diagnóstico de averías

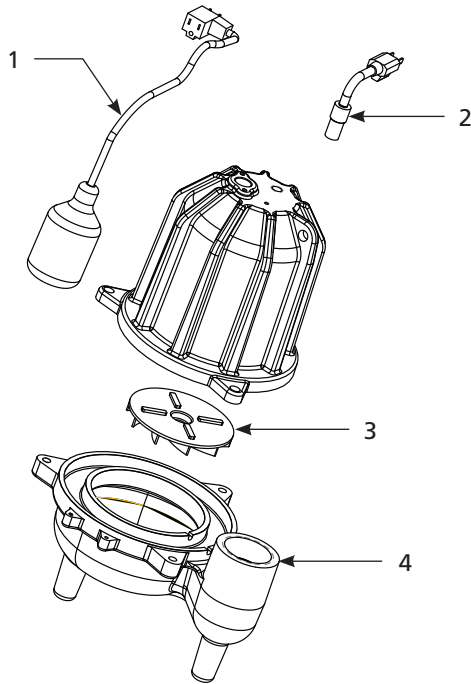
Síntoma	Causa(s) Posible(s)	Medida Correctiva
La bomba no se enciende o funciona	<ol style="list-style-type: none"> 1. El nivel de agua es muy bajo 2. El fusible está quemado o el cortacircuito se activó 3. El voltaje es muy bajo 4. El motor está dañado 5. El flotante está dañado 6. El impulsor (la bomba está obstruida con basura) 7. El interruptor está obstruido (CSE40T & CSE40M) 8. Nivel de líquido insuficiente 	<ol style="list-style-type: none"> 1. El interruptor no encenderá la bomba a menos que la bomba esté totalmente sumergida en agua 2. Si el fusible está quemado reemplácelo con uno adecuado o reconecte el cortacircuito 3. Si el voltaje es inferior al mínimo recomendado, chequee el alambrado del circuito principal de la propiedad. Si es adecuado, comuníquese con la compañía de electricidad. 4. Envíe el motor al centro de servicio autorizado más cercano a su domicilio o reemplácelo 5. Reemplace el interruptor flotante 6. Si la propela no gira, destápela y límpiela 7. Coloque el interruptor de modo que se mueva sin problemas. Reubique la bomba si es necesario 8. Cerciórese de que el nivel de líquido esté por lo menos a 33 cm (13 inches) del fondo de la pileta
La bomba se enciende y se apaga constantemente	<ol style="list-style-type: none"> 1. El agua se regresa de las tuberías 2. Sensor de agua Interruptor sucio 3. El interruptor/flotante está dañado 4. No instaló una válvula de chequeo o la válvula de chequeo tiene una fuga 5. La distancia de la descarga es inferior al mínimo recomendado por el fabricante 	<ol style="list-style-type: none"> 1. Instale una válvula de chequeo 2. Cambie la posición de la bomba, limpie la superficie del sensor. 3. Reemplace el interruptor flotante 4. Desconecte la válvula de chequeo y revísela a ver si está bien instalada y funcionando adecuadamente 5. Haga los cálculos una vez más para cerciorarse de que esté usando una bomba adecuada
La bomba se apaga y se enciende independientemente del interruptor (el sistema de protección térmica se activa)	<ol style="list-style-type: none"> 1. La temperatura del agua es excesiva 2. El interruptor está dañado u obstruido y por lo tanto la bomba funciona al seco (CSE40T & CSE40M) 3. El voltaje es muy bajo 	<ol style="list-style-type: none"> 1. La bomba no se debe usar para bombear agua a más de 44°C (120° F). 2. Reemplace o reubique la bomba <p>⚠ PRECAUCION <i>La bomba puede comenzar a funcionar sin previo aviso. Desconéctela del tomacorrientes antes de darle servicio</i></p> <ol style="list-style-type: none"> 3. Si el voltaje es inferior al mínimo recomendado, chequee el alambrado del circuito principal de la propiedad. Si es adecuado, comuníquese con la compañía de electricidad
La bomba hace mucho ruido o vibra excesivamente	<ol style="list-style-type: none"> 1. Los cojinetes están desgastados 2. El impulsor está obstruido con basura o está rota 3. Las tuberías que conectan la bomba al edificio son muy rígidas o están muy flojas 	<ol style="list-style-type: none"> 1. Envíe la unidad al centro de servicio autorizado más cercano a su domicilio o reemplácelo 2. Destape la unidad, limpie el impulsor y/o reemplácelo si está roto 3. Reemplace una porción de la tubería de descarga con un conector flexible
La bomba no deja de funcionar	<ol style="list-style-type: none"> 1. El inyerruptor flotante no se puede mover libremente 2. Las tuberías de descarga están obstruidas 3. Entrada excesiva de agua o la bomba no es la adecuada para la aplicación en que se está usando 4. El interruptor flotante está dañado 	<ol style="list-style-type: none"> 1. Reubique la bomba o limpie la pileta según sea necesario para que el flotante se mueva sin problemas 2. Desconecte la bomba y limpie la bomba y las tuberías 3. Haga los cálculos una vez más para cerciorarse de que esté usando una bomba adecuada 4. Reemplace el interruptor flotante

Para piezas de repuestos o asistencia técnica, llame al 1-888-636-6628

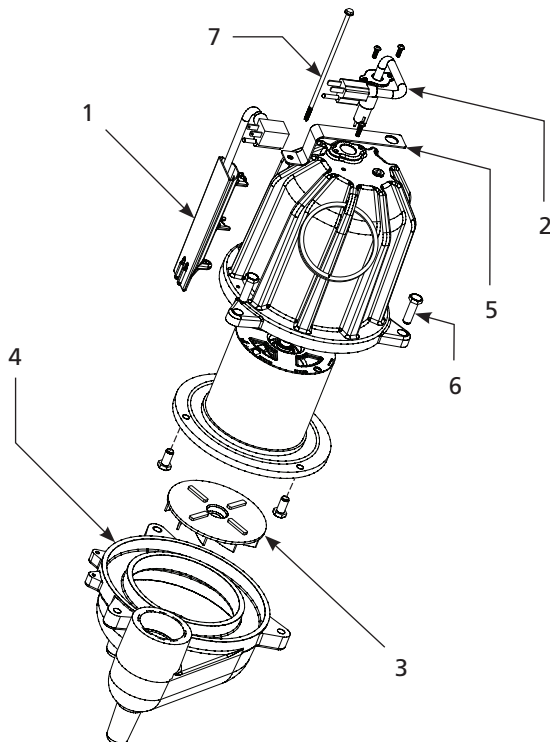
Sírvase proporcionar la siguiente información:

- Número de modelo
- Número de serie (si tiene)
- Descripción y número de repuesto como se muestra en la lista de repuestos

Envíe su solicitud de repuestos a la siguiente dirección:
Blue Angel Pumps
101 Production Drive
Harrison, OH 45030 U.S.A.



Ref. No.	Description	Part Number	Qty
1	Interruptor de flotador de correa (CSE40T)	30000-009	1
	Interruptor de flotador de correa (CSE40T-2)	30000-003	1
2	Cordón de corriente (CSE40T)	31035-001	1
	Cordón de corriente (CSE40M, CSE40T-2)	31036-001	1
3	Impulsor	31047-001	1
4	Caja espiral	17317-001	1



Ref. No.	Description	Part Number	Qty
1	Sensor de agua capacitivo	30037-002	1
2	Cordón de corriente de 3m (10 pies)	31035-001	1
3	Impulsor	17317-001	1
4	Caja espiral	41027-001	1
5	Ensamble del motor con sello del eje	8322	1
6	Soporte	7434	1
7	Perno pasante	16836-004	1
8	Tornillo	67050-001	3

Garantía Limitada de por Vida

Para CSE40M, CSE40T, y CSE40T-2, durante dos (2) años y para BCAPSE40 durante cinco (5) años a partir de la fecha de compra, Blue Angel Pumps reparará o reemplazará, según lo decida, para el comprador original, cualquier pieza o piezas de sus Bombas para cloacas o Bombas de agua ("Producto") que después de un examen sea(n) hallada(s) por Blue Angel como defectuosa(s) en su material o mano de obra. Sírvase llamar a la compañía Blue Angel (888-636-6628, desde EE.UU) para recibir instrucciones al respecto o comuníquese con el distribuidor más cercano a su domicilio. Para hacer reclamos bajo esta garantía deberá suministrarnos el número del modelo y el número de serie del producto. El comprador será responsable de pagar todos los gastos de flete para enviar las piezas o el producto para que sean reparados o reemplazados.

Esta garantía Limitada no cubre los daños que sufra el producto debido a accidentes, abusos, usos inadecuados, negligencia, instalación incorrecta, mantenimiento inadecuado o haberse utilizado sin seguir las instrucciones escritas suministradas por la compañía Blue Angel.

LAS GARANTÍAS IMPLÍCITAS, INCLUYENDO AQUELLAS DE COMERCIALIZACIÓN Y APTITUD PARA UN PROPÓSITO EN PARTICULAR, ESTÁN LIMITADAS A DOS AÑOS PARA CSE40M, CSE40T, Y CSE40T-2, A CINCO AÑOS PARA BCAPSE40, A PARTIR DE LA FECHA DE COMPRA. ESTA ES LA UNICA GARANTIA DISPONIBLE Y TODAS LAS REPOSABILIDADES CIVILES, DIRECTAS O INDIRECTAS, O GASTOS POR DAÑOS INDIRECTOS O CONSECUENTES QUEDAN EXCLUIDOS.

Algunos estados no permiten que se establezcan límites en la duración de las garantías implícitas o no permiten que se excluyan ni se establezcan límites en los daños por incidentes o consecuencias, por lo tanto los límites antes mencionados podrían ser no válidos. Esta Garantía Limitada le otorga derechos legales específicos, y usted también puede tener otros derechos que varían de un Estado a otro.

En ningún caso, bien sea por ruptura del contrato de la garantía, responsabilidad civil (incluyendo negligencia) u otra causa, Blue Angel o sus distribuidores serán responsables por daños especiales, consecuentes ni circunstanciales ni penales, incluyendo, pero no limitados a la pérdida de ganancias, pérdida de uso del producto o equipos asociados, daños a equipos asociados, costos de capitales, costos para substituir productos, costos para substituir o reemplazar servicios, costos por pérdida de productividad, o reclamos de clientes del comprador por dichos daños.

DEBE conservar el recibo de compra con esta garantía. En caso de que necesite hacer un reclamo bajo esta garantía, **DEBERA** enviarnos una **copia** del recibo junto con el material o correspondencia. Sírvase comunicarse con la compañía Blue Angel (888-636-6628, en EE.UU.) para recibir autorización e instrucciones para enviar el producto.

NO ENVIE ESTA GARANTIA A BLUE ANGEL. Use este documento sólo para mantener sus records.

NO DEL MODELO. _____ NO DE SERIE. _____ FECHA DE INSTALACION _____

ANEXE SU RECIBO AQUI