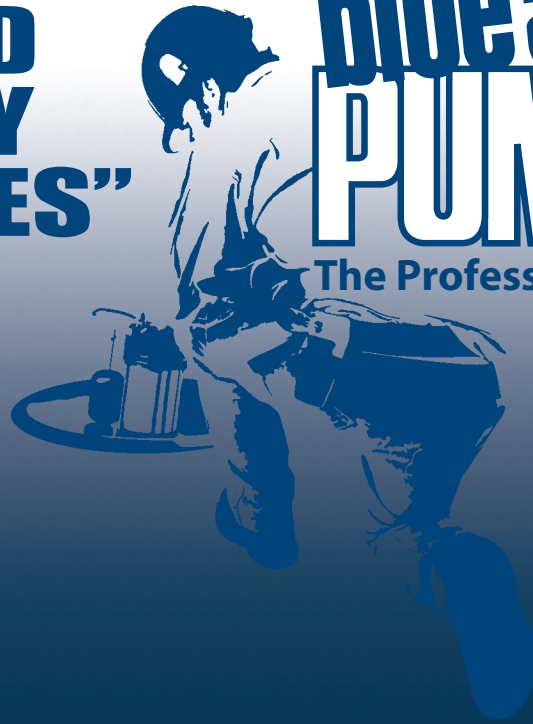


3/10 HP PREASSEMBLED AND JOB-READY "BUILDER SERIES" SUMP SYSTEM

blueangel™ PUMPS

The Professional's Line



- **23 GPM @ 10'**

- **3/10 HP Sump Pump**

- **18" X 22" Polyethylene Basin with
4" Intake and Polyethylene Cover**

- **2" Vent and 1 1/2" Discharge**

- **Preassembled for Quick and Easy
Installation**

1
YEAR
Warranty

www.blueangelpumps.com

3/10 HP PREASSEMBLED AND JOB-READY "BUILDER SERIES" SUMP SYSTEM

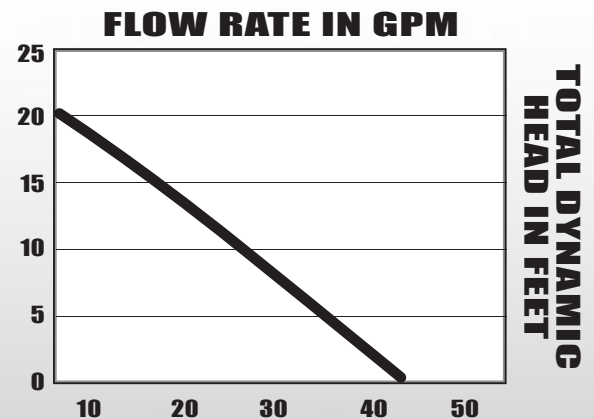
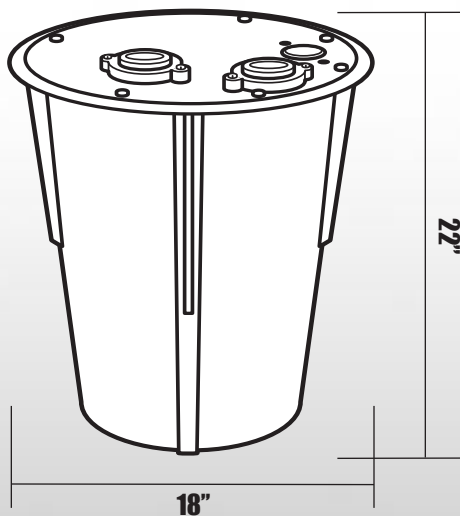


BWSF30PAS

- Vertical Float Switch
- 8', SJTW Power Cord
- ON Level at 7" / OFF Level at 3"
- Shipping Weight 22 lbs
- 1 Year Warranty

Helps eliminate common issues found during new construction installation:

- Preassembled and Job Ready reducing labor installation time
- Cover is bolted to prevent debris from entering the pit - wood chips, nails, and garbage
- Pump switch is factory set 90 degrees from inlet allowing water to enter pit without obstructing the pumps on and off level
- Allows pump installation at time of basin set making rough in faster



MOTOR SPECIFICATIONS

MOTOR	RPM	VOLTS	AMPS	Hz
Shaded Pole	3000	120	5.6	60

PERFORMANCE

DISCHARGE HEAD	5'	10'	15'	20'
Gallons/Minute	35	23	13	2

FOR PUMP AND SYSTEM ACCESSORIES SEE ACCESSORIES SECTION

BLUE ANGEL™ PUMPS • 101 Production Drive • Harrison, OH 45030 • 1-888-636-6628 • 1-877-289-2963

© 2007 Blue Angel Pumps All Rights Reserved