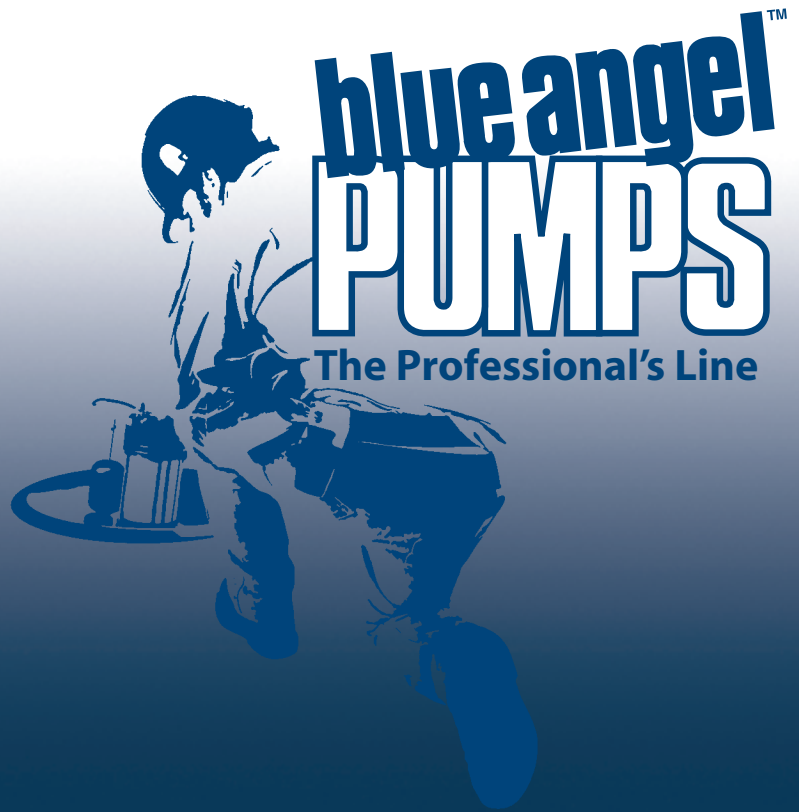


# 1/2 HP PREASSEMBLED AND JOB-READY "INSTANT" BATHROOM



# blueangel<sup>™</sup> PUMPS

The Professional's Line



• **76 GPM @ 5'**

• **Cast Iron Sewage Pump with Lower Ball Bearings for Quiet Operation and Long Life**

• **Add a Bathroom Anywhere in Your Home Without Breaking Concrete**

• **Step-by-Step, Quick and Easy Installation**

• **Optimal Solution for Basements, Garages, Pool Houses, or Additions to Your Home**

**1**  
YEAR  
Warranty

[www.blueangelpumps.com](http://www.blueangelpumps.com)

# 1/2 HP PREASSEMBLED AND JOB-READY "INSTANT" BATHROOM

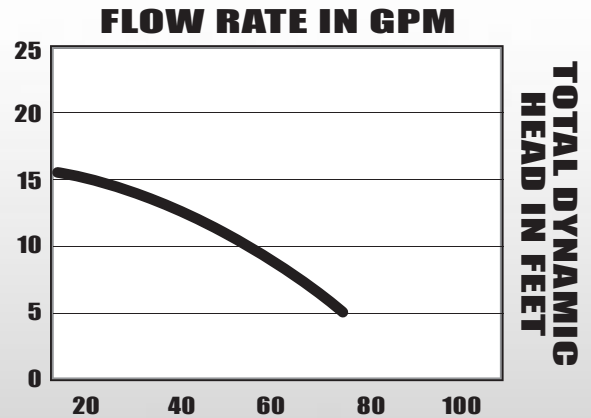
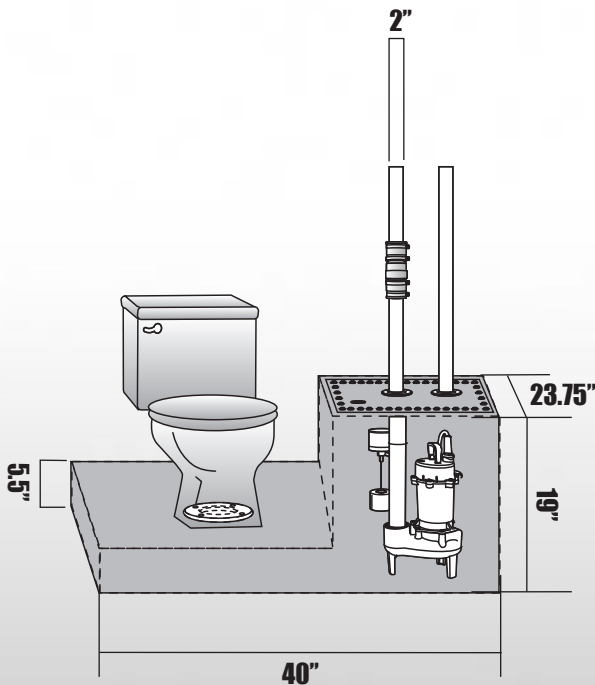


## BEZJRPP50

- Vertical Float Switch
- 8', SJTW Power Cord
- Shipping Weight, 89 lbs
- 1 Year Warranty

## SYSTEM INCLUDES:

- 1/2 HP Cast Iron Sewage Pump
- Vertical Float Switch
- Tank
- Check Valve
- Discharge Pipe
- Wax Seal Ring
- All Gaskets



## MOTOR SPECIFICATIONS

MOTOR	RPM	VOLTS	AMPS	Hz
PSC	3000	120	6	60

## PERFORMANCE

DISCHARGE HEAD	5'	10'	15'	20'
Gallons/Minute	76	54	15	-

FOR PUMP AND SYSTEM ACCESSORIES SEE ACCESSORIES SECTION

BLUE ANGEL™ PUMPS • 101 Production Drive • Harrison, OH 45030 • 1-888-636-6628 • 1-877-289-2963

© 2007 Blue Angel Pumps All Rights Reserved