

4/10 HP CAST IRON SUBMERSIBLE SEWAGE PUMP

blueangel[™] PUMPS

The Professional's Line



• **90 GPM @ 5'**

• **Cast Iron Motor and Pump Housing**

• **Oil-Filled, Thermally Protected Motor Prevents Overheating**

• **2" NPT Discharge Capable of Handling 2" Solids**

• **Lower Ball Bearing for Quiet Operation and Long Life**

• **Durable Components**

• **Designed for Residential and Light Commercial Sewage Applications**

• **Ideal for Basement or Below Grade Installations**

Up To
5 YEAR
Warranty

BCAPSE40 Shown

LASTS 5 TIMES LONGER
THAN STANDARD SWITCHES

www.blueangelpumps.com

4/10 HP CAST IRON SUBMERSIBLE SEWAGE PUMP



CSE40M

- Manual Operation
- 20', SJTW Power Cord
- 18" or Wider Sewage Basins
- Shipping Weight, 54 lbs
- 2 Year Warranty

NOTE: Use With Single or Double Piggy-Back Float Switch or Control Panel



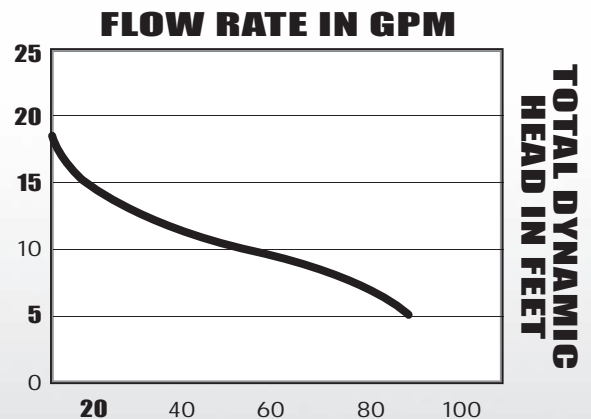
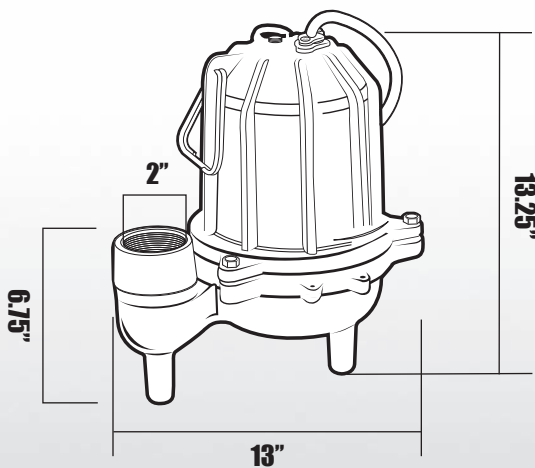
CSE40T, CSE40T-2

- Piggy-Back Tether Float Switch
- 10', SJTW Power Cord (CSE40T)
20', SJTW Power Cord (CSE40T-2)
- 18" or Wider Sewage Basins
- ON level at 16" / Off level at 7.5"
- Shipping Weight, 54 lbs
- 2 Year Warranty



BCAPSE40, BCAPSE40-2

- Piggy-Back Cap Switch
- Microprocessor Controlled -
No Moving Parts to Wear Out
No Adjustment Needed!
- 10', SJTW Power Cord (BCAPSE40)
20' SJTW Power Cord (BCAPSE40-2)
- 18" or Wider Sewage Basins
- Shipping Weight, 54 lbs
- **5 Year Warranty**



MOTOR SPECIFICATIONS

MODEL	MOTOR	RPM	VOLTS	AMPS	Hz
BCAPSE40	PSC	1725	120	8.7	60
CSE40M, CSE40T, CSE40T-2	Shaded Pole	1550	120	12.0	60

PERFORMANCE

DISCHARGE HEAD	5'	10'	15'	20'
Gallons/Minute	90	59	10	-

Preassembled Packages with Basin and Pump Available. See PACKAGED SYSTEMS Section.

FOR PUMP AND SYSTEM ACCESSORIES SEE ACCESSORIES SECTION

BLUE ANGEL™ PUMPS • 101 Production Drive • Harrison, OH 45030 • 1-888-636-6628

© 2008 Blue Angel Pumps All Rights Reserved

