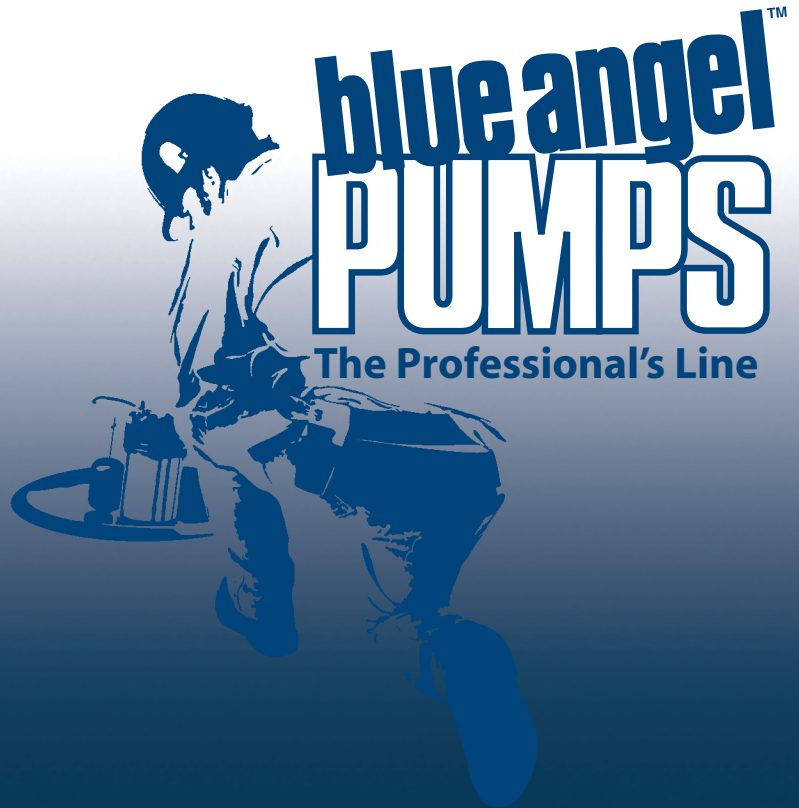


# 1/2 HP CAST IRON SUBMERSIBLE COMMERCIAL SEWAGE PUMP



**blueangel™**  
**PUMPS**

The Professional's Line



• **155 GPM @ 10'**

• **Cast Iron Motor Housing, Seal Plate, Volute and Impeller for Durability**

• **Corrosion-Resistant Stainless Steel Shaft and Fasteners**

• **Oil-Filled, Thermally Protected Motor Prevents Overheating**

• **3" NPT Discharge with 2" Adapter Capable of Handling 2" Solids**

• **Heavy-Duty Upper and Lower Ball Bearings for Long Life and Quiet Operation**

• **10 ft. Power Cord is Oil and Water Resistant with Neoprene Grommet for Superior Seal**

• **115 Volt Switches Sold Separately**

**2**  
YEAR  
Warranty

[www.blueangelpumps.com](http://www.blueangelpumps.com)

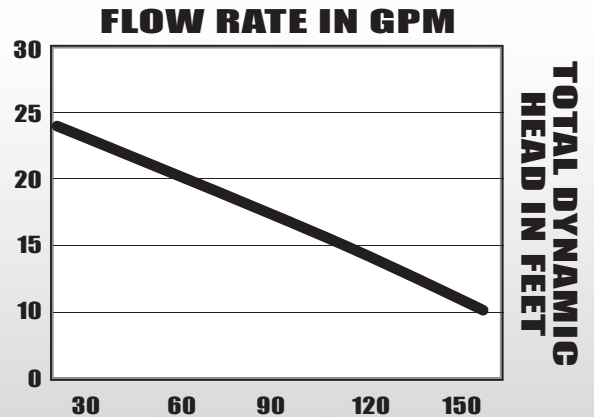
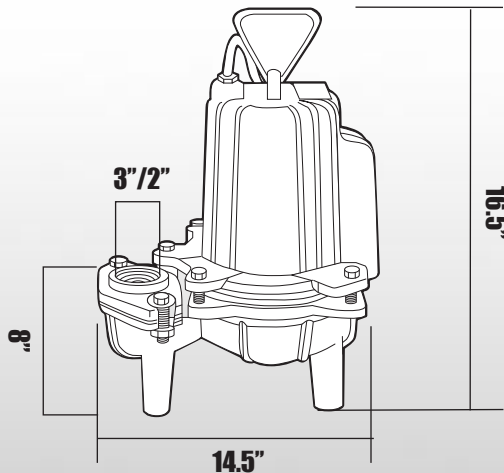
# 1/2 HP CAST IRON SUBMERSIBLE COMMERCIAL SEWAGE PUMP



## BSE50

- Manual Operation
- 10', SJTW Power Cord
- 18" or Wider Sewage Basins
- Shipping Weight, 96 lbs
- 2 Year Warranty

NOTE: Use With Single or Double Piggy-Back Float Switch or Control Panel



## MOTOR SPECIFICATIONS

MOTOR	RPM	VOLTS	AMPS	Hz
PSC	1650	120	12	60

## PERFORMANCE

DISCHARGE HEAD	10'	15'	20'	25'
Gallons/Minute	155	115	65	-

Preassembled Packages with Basin and Pump Available. See PACKAGED SYSTEMS Section.

FOR PUMP AND SYSTEM ACCESSORIES SEE ACCESSORIES SECTION

BLUE ANGEL™ PUMPS • 101 Production Drive • Harrison, OH 45030 • 1-888-636-6628

© 2007 Blue Angel Pumps All Rights Reserved

