

1/2 HP CAST IRON SUBMERSIBLE SEWAGE PUMP

blueangel™
PUMPS
The Professional's Line



- **113 GPM @ 5'**
- **Cast Iron Motor and Pump Housing**
- **Oil-Filled, Thermally Protected Motor Prevents Overheating**
- **2" NPT Discharge Capable of Handling 2" Solids**
- **Lower Ball Bearing for Quiet Operation and Long Life**
- **Durable Components**
- **Designed for Residential and Light Commercial Sewage Applications**
- **Ideal for Basement or Below Grade Installations**

Up To
5 YEAR
Warranty
BCAPSE50 Shown

LASTS 5 TIMES LONGER
THAN STANDARD SWITCHES

www.blueangelpumps.com

1/2 HP CAST IRON SUBMERSIBLE SEWAGE PUMP



BCSE50M

- Manual Operation
- 20', SJTW Power Cord
- 18" or Wider Sewage Basins
- Shipping Weight, 54 lbs
- 2 Year Warranty

NOTE: Use With Single or Double Piggy-Back Float Switch or Control Panel



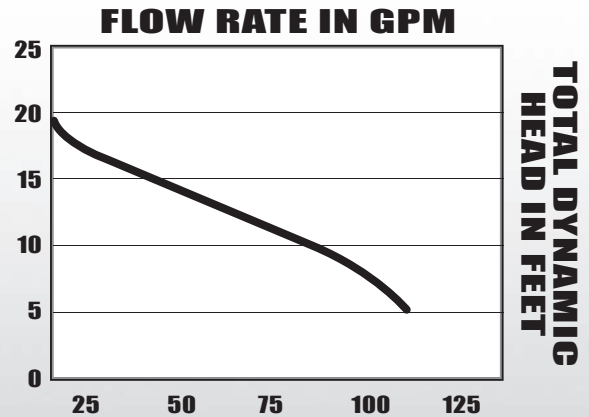
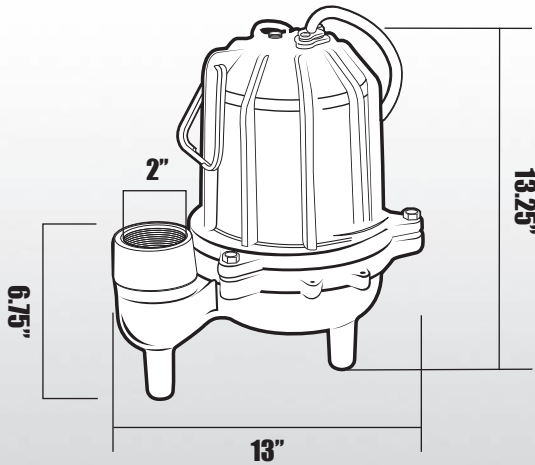
BCSE50T

- Piggy-Back Tether Float Switch
- 10', SJTW Power Cord
- 18" or Wider Sewage Basins
- ON level at 16" / Off level at 7.5"
- Shipping Weight, 54 lbs
- 2 Year Warranty



BCAPSE50, BCAPSE50-2

- Piggy-Back Cap Switch
- Microprocessor Controlled - No Moving Parts to Wear Out No Adjustment Needed!
- 10', SJTW Power Cord (BCAPSE50)
20' SJTW Power Cord (BCAPSE50-2)
- 18" or Wider Sewage Basins
- Shipping Weight, 54 lbs
- **5 Year Warranty**



MOTOR SPECIFICATIONS

MOTOR	RPM	VOLTS	AMPS	Hz
PSC	1725	120	8.7	60

PERFORMANCE

DISCHARGE HEAD	5'	10'	15'	20'
Gallons/Minute	113	88	40	-

Preassembled Packages with Basin and Pump Available. See PACKAGED SYSTEMS Section.

FOR PUMP AND SYSTEM ACCESSORIES SEE ACCESSORIES SECTION

BLUE ANGEL™ PUMPS • 101 Production Drive • Harrison, OH 45030 • 1-888-636-6628

© 2007 Blue Angel Pumps All Rights Reserved

