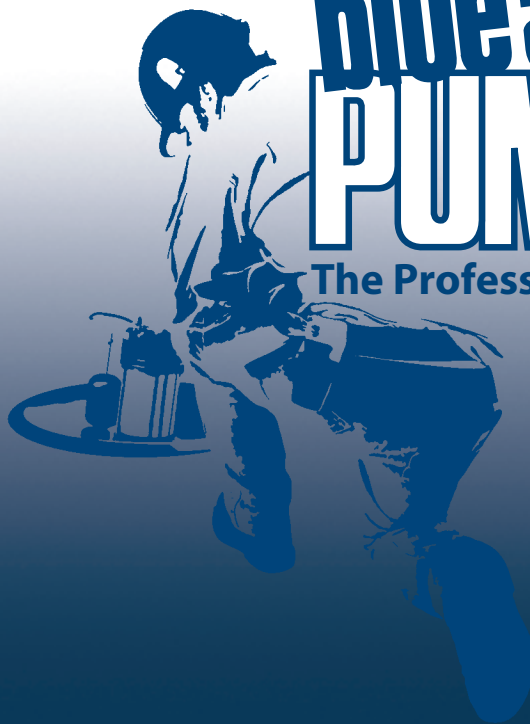


1/2 HP CAST IRON SUBMERSIBLE SEWAGE PUMP

blueangel[™] PUMPS

The Professional's Line



• **76 GPM @ 5'**

• **Cast Iron Motor and Pump Housing**

• **2" NPT Discharge Capable of Handling 2" Solids**

• **Upper Ball Bearing for Quiet Operation and Long Life**

• **Ideal for Basement or Below Grade Installations**

Up To
2 YEAR
Warranty

BCAPRPP50 Shown

www.blueangelpumps.com

1/2 HP CAST IRON SUBMERSIBLE SEWAGE PUMP



BRPP50T

- Piggyback Tether Float Switch
- 8', SJTW Power Cord
- 18" or Wider Sewage Basins
- ON level at 16" / Off level at 7.5"
- Shipping Weight, 26 lbs
- 1 Year Warranty



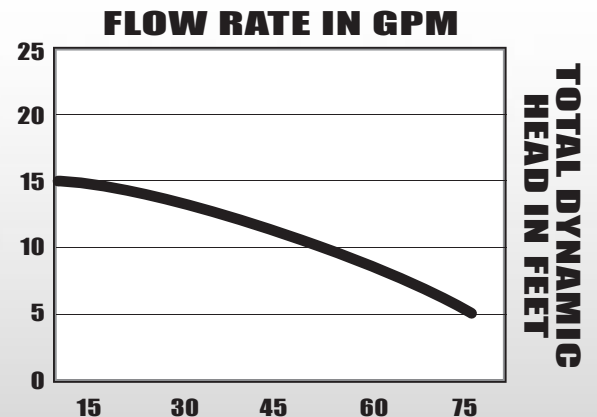
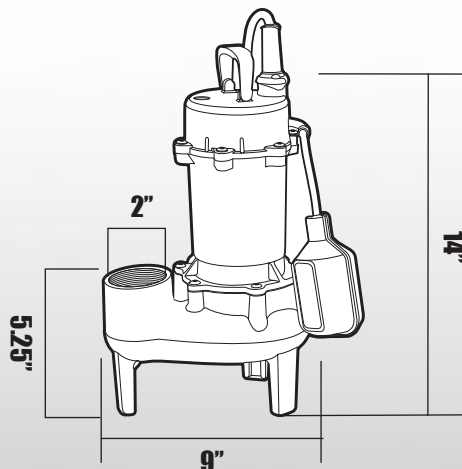
BRPP50D

- Diaphragm Switch
- 8', SJTW Power Cord
- 18" or Wider Sewage Basins
- ON level at 13" / Off level at 4"
- Shipping Weight, 26 lbs
- 1 Year Warranty



BCAPRPP50

- "Intelli-Sense" Switch
- Microprocessor Controlled - No Moving Parts to Wear Out
- 8', SJTW Power Cord
- 18" or Wider Sewage Basins
- Shipping Weight, 26 lbs
- 2 Year Warranty



MOTOR SPECIFICATIONS

| MOTOR | RPM | VOLTS | AMPS | Hz |
|-------|------|-------|------|----|
| PSC | 3000 | 120 | 6 | 60 |

PERFORMANCE

| DISCHARGE HEAD | 5' | 10' | 15' | 20' |
|----------------|----|-----|-----|-----|
| Gallons/Minute | 76 | 54 | 15 | - |

Preassembled Packages with Basin and Pump Available. See PACKAGED SYSTEMS Section.

FOR PUMP AND SYSTEM ACCESSORIES SEE ACCESSORIES SECTION

BLUE ANGEL™ PUMPS • 101 Production Drive • Harrison, OH 45030 • 1-888-636-6628

© 2007 Blue Angel Pumps All Rights Reserved

