

# 4/10 HP CAST IRON SUBMERSIBLE EFFLUENT PUMP



**blueangel™**  
**PUMPS**  
The Professional's Line



- **51 GPM @ 5'**
- **One Piece Cast Iron Motor and Pump Housing**
- **Stainless Steel Inlet Cover and Fasteners**
- **Durable Cast Iron Volute**
- **Reliable Glass-Reinforced Plastic Impeller**
- **Hermetically Sealed Motor Housing**
- **Permanently Lubricated Bearings**
- **High Capacity 1-1/2" NPT Discharge**
- **Passes Up To 1/2" Solids**
- **Will Replace Most Submersible Effluent Pumps Without Any Plumbing Changes**

**2**  
YEAR  
Warranty

SEF40T Shown

[www.blueangelpumps.com](http://www.blueangelpumps.com)

# 4/10 HP CAST IRON SUBMERSIBLE EFFLUENT PUMP



## SEF40M

- Manual Operation
- 20', SJTW Power Cord
- 11" or Wider Basins
- Shipping Weight, 22 lbs
- 2 Year Warranty

NOTE: Use With Single or Double Piggy-Back Float Switch or Control Panel



## SEF40V, SEF40V-2

- Vertical Float Switch
- 10', SJTW Power Cord (SEF40V)  
20', SJTW Power Cord (SEF40V-2)
- 11" or Wider Basins
- ON Level at 3.5" / OFF Level at 7.5"
- Shipping Weight, 22 lbs
- 2 Year Warranty



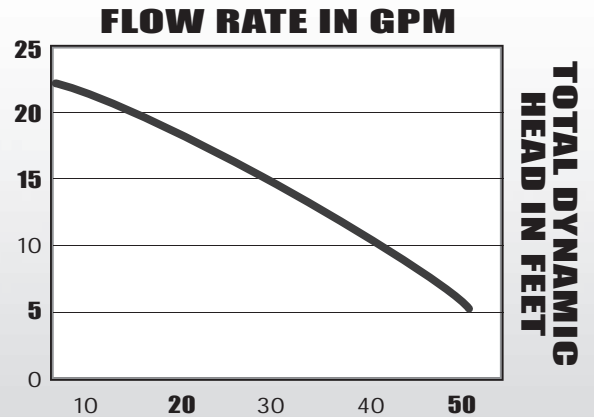
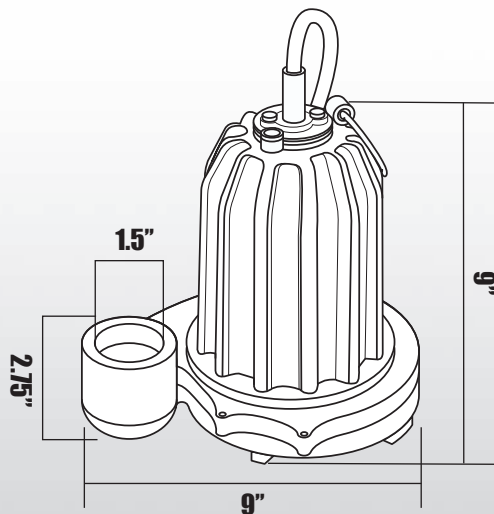
## SEF40T, SEF40T-2

- Piggy-Back Tether Float Switch
- 10', SJTW Power Cord (SEF40T)  
20', SJTW Power Cord (SEF40T-2)
- 14" or Wider Basins
- ON Level at 12.5" / OFF Level at 4"
- Shipping Weight, 22 lbs
- 2 Year Warranty



## SEF40D, SEF40D-2

- Diaphragm Switch
- 10', SJTW Power Cord (SEF40D)  
20', SJTW Power Cord (SEF40D-2)
- 14" or Wider Basins
- Shipping Weight, 22 lbs
- 2 Year Warranty



### MOTOR SPECIFICATIONS

MOTOR	RPM	VOLTS	AMPS	Hz
Shaded Pole	3000	120	8.3	60

### PERFORMANCE

DISCHARGE HEAD	5'	10'	15'	20'
Gallons/Minute	51	41	29	14

FOR PUMP AND SYSTEM ACCESSORIES SEE ACCESSORIES SECTION  
 BLUE ANGEL™ PUMPS • 101 Production Drive • Harrison, OH 45030 • 1-888-636-6628

© 2008 Blue Angel Pumps All Rights Reserved

