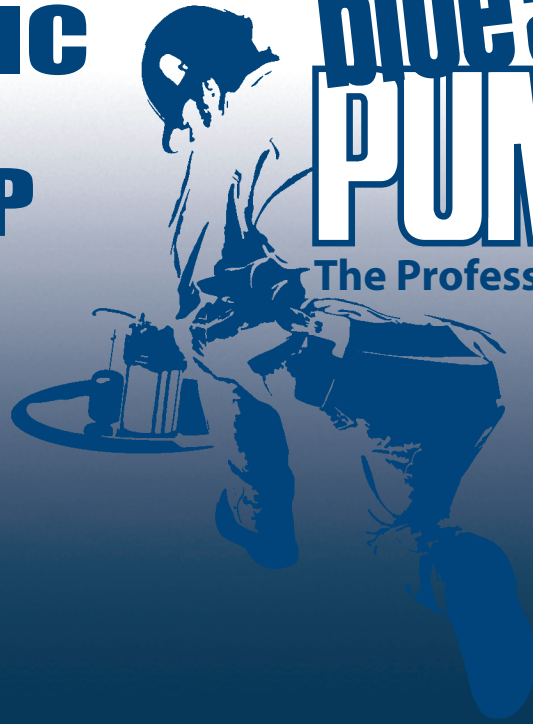


1/3 HP THERMOPLASTIC SUBMERSIBLE EFFLUENT PUMP

blueangel[™] PUMPS

The Professional's Line



- **88 GPM @ 5'**
- **Corrosion-Resistant Thermoplastic Motor Housing, Volute, and Impeller**
- **Cast Iron Seal Plate**
- **Oil-Filled, Thermally Protected Motor Prevents Overheating**
- **Replaceable Piggyback Tether Float Switch for Automatic Operation**
- **Combination 2²/₃" NPT Discharge Capable of Handling 3/4" Solids**
- **Lower Ball Bearing for Quiet Operation and Long Life**

1 YEAR
Warranty

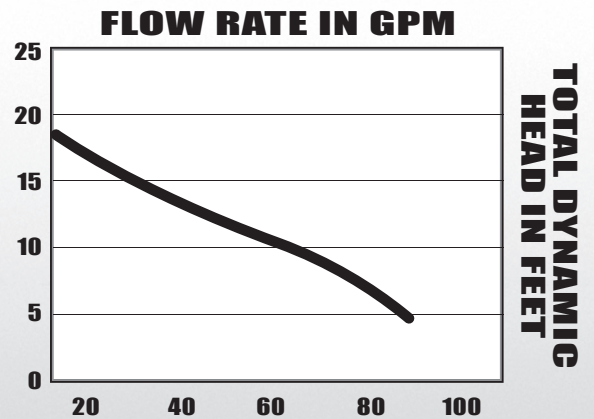
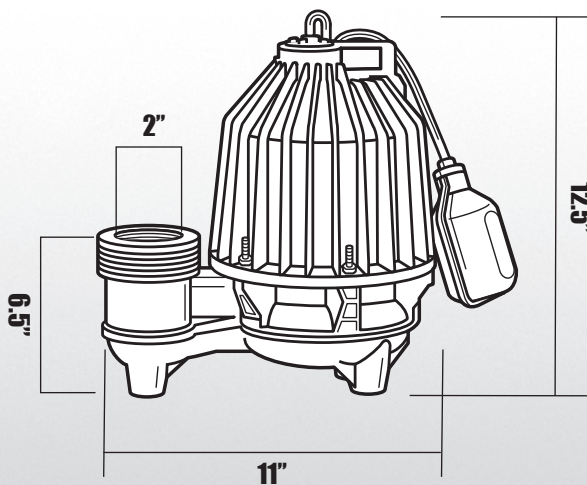
www.blueangelpumps.com

1/3 HP THERMOPLASTIC SUBMERSIBLE EFFLUENT PUMP



BEFL33, BEFL33-2

- Piggy-Back Tether Float Switch
- 8', SJTW Power Cord (BEFL33)
- 20', SJTW Power Cord (BEFL33-2)
- 18" or Wider Basins
- ON Level at 17" / OFF Level at 9"
- Shipping Weight, 24 lbs
- 1 Year Warranty



MOTOR SPECIFICATIONS

| MOTOR | RPM | VOLTS | AMPS | Hz |
|-------------|------|-------|------|----|
| Shaded Pole | 1550 | 120 | 10.9 | 60 |

PERFORMANCE

| DISCHARGE HEAD | 5' | 10' | 15' | 20' |
|----------------|----|-----|-----|-----|
| Gallons/Minute | 88 | 60 | 22 | - |

FOR PUMP AND SYSTEM ACCESSORIES SEE ACCESSORIES SECTION
 BLUE ANGEL™ PUMPS • 101 Production Drive • Harrison, OH 45030 • 1-888-636-6628

© 2008 Blue Angel Pumps All Rights Reserved