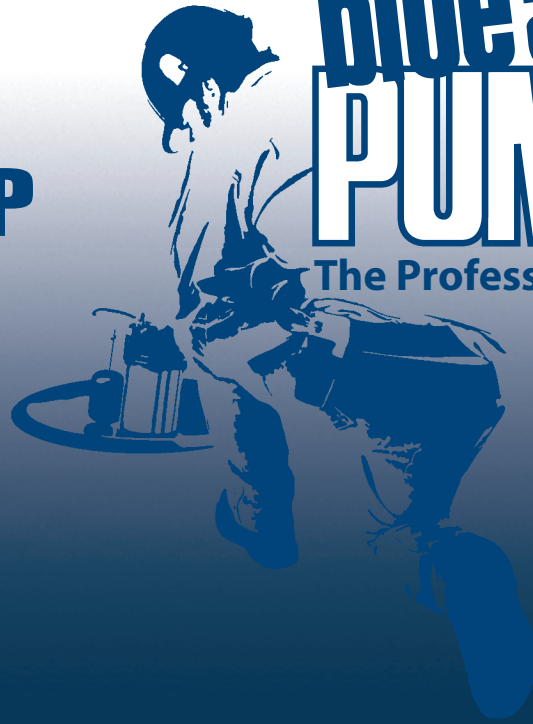


1/3 HP CAST IRON SUBMERSIBLE EFFLUENT PUMP

blueangel[™] PUMPS

The Professional's Line



• **58 GPM @ 5'**

• **Durable Cast Iron Motor and Pump Housing**

• **Replaceable Piggy-Back Tether Float Switch for Automatic Operation**

• **2" NPT Discharge Capable of Handling Up to 3/4" Solids**

• **Upper Ball Bearing for Quiet Operation and Long Life**

• **Designed for Domestic Septic Tank Applications**

1 YEAR
Warranty

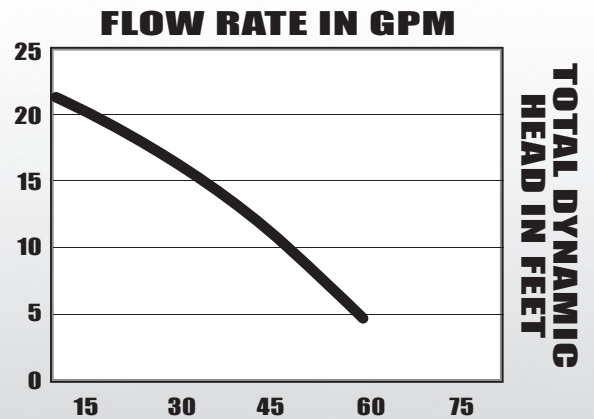
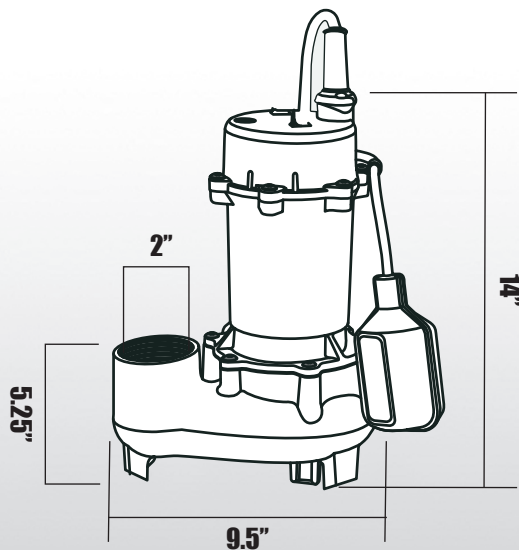
www.blueangelpumps.com

1/3 HP CAST IRON SUBMERSIBLE EFFLUENT PUMP



BEFL30

- Piggy-Back Tether Float Switch
- 8', SJTW Power Cord
- 18" or Wider Basins
- ON Level at 16" / OFF Level at 7.5"
- Shipping Weight, 24 lbs
- 1 Year Warranty



MOTOR SPECIFICATIONS

MOTOR	RPM	VOLTS	AMPS	Hz
PSC	3000	120	5	60

PERFORMANCE

DISCHARGE HEAD	5'	10'	15'	20'
Gallons/Minute	58	49	38	-

FOR PUMP AND SYSTEM ACCESSORIES SEE ACCESSORIES SECTION
 BLUE ANGEL™ PUMPS • 101 Production Drive • Harrison, OH 45030 • 1-888-636-6628

© 2008 Blue Angel Pumps All Rights Reserved

