

4/10 HP "PUMP 'N' DOSE SERIES" EFFLUENT PUMP

blueangel[™] PUMPS

The Professional's Line



• **33 GPM @ 5'**

- **3/4" Solids Handling**
- **Heavy Duty Mechanical Seal**
- **Durable Cast Iron Motor Housing**
- **Reinforced Thermoplastic Pump Housing**
- **Upper and Lower Ball Bearings for Longer Life**

IMPELLER

Heavy Duty Reinforced Thermoplastic for Rugged Operation and Dependable Service

SHAFT SEALS

Full Mechanical Seal (Carbon/Ceramic) for Extra Protection and Longer Life

MOTOR

Permanent Split Capacitor Design for Assured Starting and Strong Torque

Internal Overload Protection

2 YEAR
Warranty

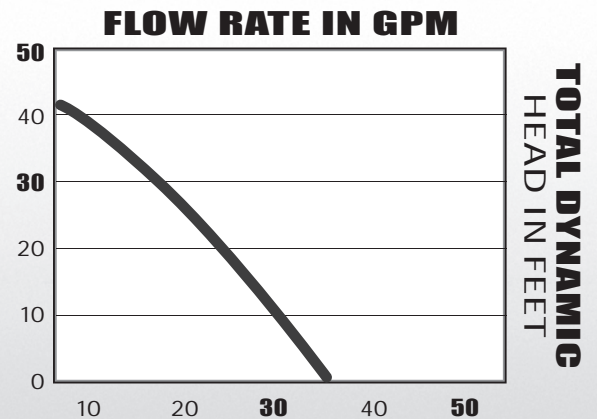
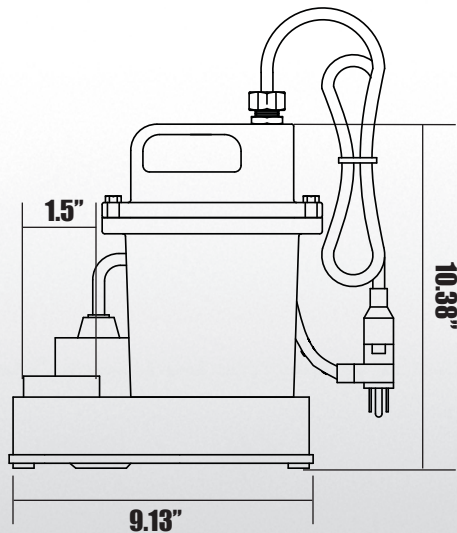
www.blueangelpumps.com

4/10 HP "PUMP 'N' DOSE SERIES" EFFLUENT PUMP



BALE411A

- 115 Volt
- 20', SJTW OR SJTOW Power Cord
- 11" or Wider Basins
- Shipping Weight, 24 lbs
- 2 Year Warranty



MOTOR SPECIFICATIONS

MOTOR	RPM	VOLTS	AMPS	Hz
PSC	3450	115	6	60

PERFORMANCE

DISCHARGE HEAD	0'	10'	20'	30'	40'
Gallons/Minute	35	30	25	18	5

FOR PUMP AND SYSTEM ACCESSORIES SEE ACCESSORIES SECTION
BLUE ANGEL™ PUMPS • 101 Production Drive • Harrison, OH 45030 • 1-888-636-6628

© 2008 Blue Angel Pumps All Rights Reserved