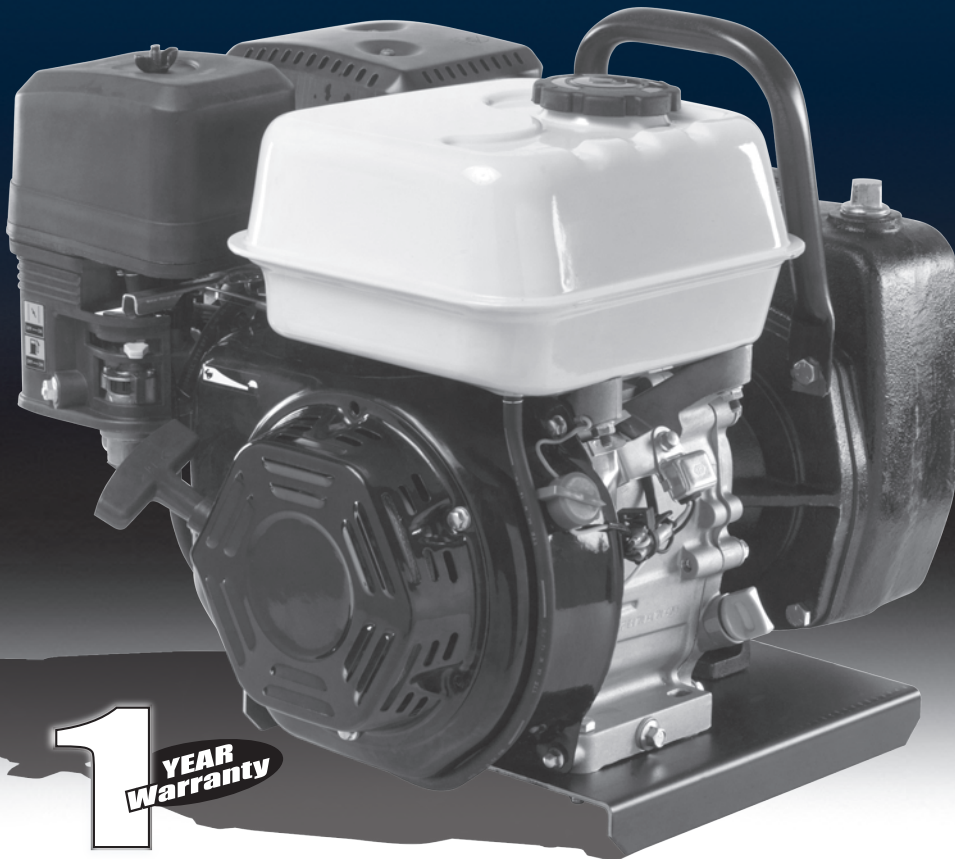
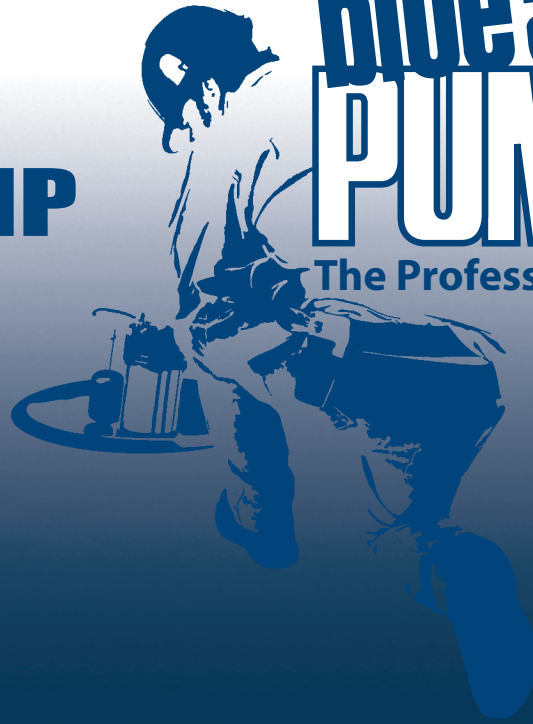


4 HP GASOLINE- POWERED TRANSFER PUMP

blueangel[™] PUMPS

The Professional's Line



• **120 GPM @ 0'**

• **4 HP Engine**

• **Rugged Cast Iron Volute and Impeller**

• **2" NPT Inlet and Discharge Size for Standard Connection to Transfer Hose**

• **Passes Up to 3/8" Solids**

• **Viton Mechanical Shaft Seal is Compatible with Many Agricultural Chemicals**

1
YEAR
Warranty

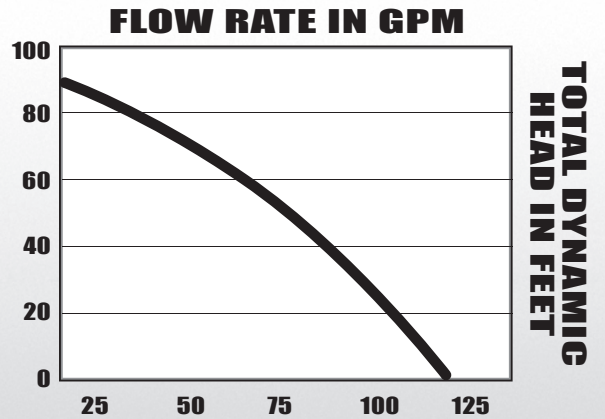
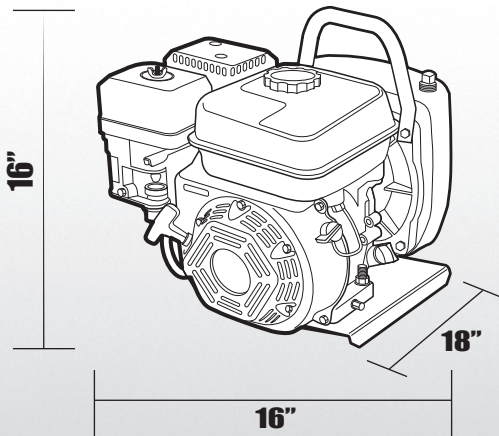
www.blueangelpumps.com

4 HP GASOLINE-POWERED UTILITY PUMP



BGPS400

- 4-Cycle Engine
- Rugged Cast Iron Volute and Impeller
- Viton Mechanical Shaft Seal
- Max. Vertical Lift: 20'
- Max. Discharge: 90'
- Shipping Weight, 64 lbs
- 1 Year Warranty



ENGINE SPECIFICATIONS

ENGINE	RPM
4-Cycle Engine	3600

PERFORMANCE

DISCHARGE HEAD	0'	20'	40'	60'	80'
Gallons/Minute	120	110	94	68	40

FOR PUMP AND SYSTEM ACCESSORIES SEE ACCESSORIES SECTION
 BLUE ANGEL™ PUMPS • 101 Production Drive • Harrison, OH 45030 • 1-888-636-6628

© 2008 Blue Angel Pumps All Rights Reserved