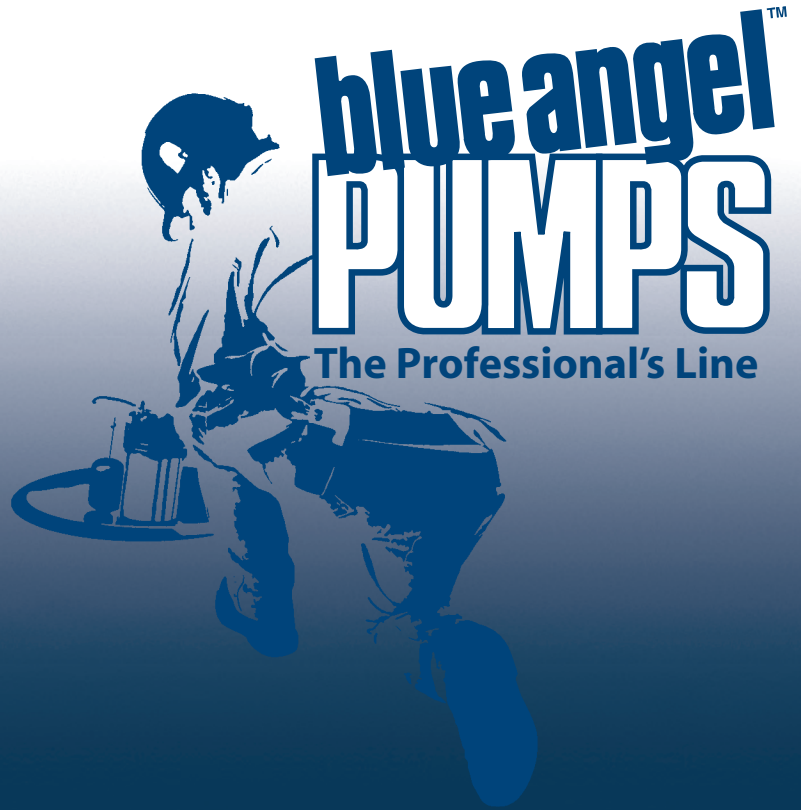


1/2 HP CAST IRON TRANSFER UTILITY PUMP



1
YEAR
Warranty

- **610 GPH @ 0' (40 PSI)**
- **Boosts Line Pressure Up to 40 PSI**
- **Corrosion-Resistant Cast Iron Pump Housing and Motor for Durability**
- **Removes Water Down to 1/8" of Surface When Water Suction Attachment is Connected**
- **Portable and Lightweight Transfer Pump You Can Take Anywhere**
- **3/4" Brass Hose Adapters**
- **Applications Include Drainage, Dewatering Flooded Basements, Emptying Stock Tanks, Draining Water Heaters, Cleaning Tankless Water Heaters and Charging Polyglycol Radiant Heating Lines**

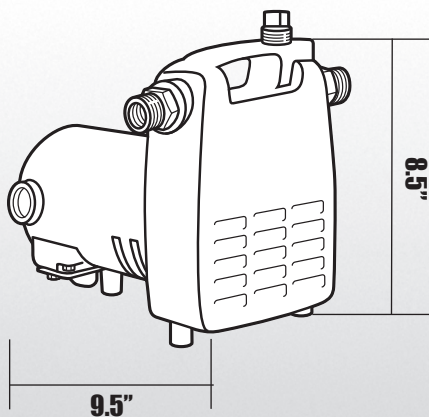
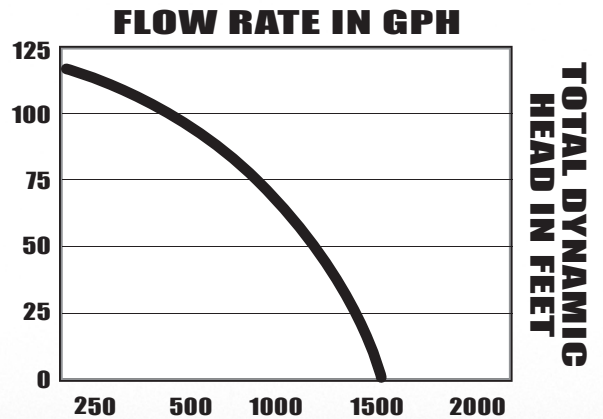
www.blueangelpumps.com

1/2 HP CAST IRON TRANSFER UTILITY PUMP



EC50

- 8' SJTW Power Cord
- Non-Automatic
- Suction Head Up to 15'
- Shipping Weight, 14 lbs
- 1 Year Warranty



| PERFORMANCE | | | | |
|---|--|-----------|------------|------------|
| DISCHARGE PRESSURE PER SQUARE INCH | SUCTION LIFT GALLONS PER HOUR - IN FEET | | | |
| | 0' | 5' | 10' | 15' |
| 5 | 1450 | 1420 | 1350 | 1270 |
| 10 | 1370 | 1300 | 1230 | 1160 |
| 15 | 1250 | 1190 | 1120 | 1040 |
| 20 | 1140 | 1070 | 1000 | 930 |
| 25 | 1020 | 950 | 880 | 810 |
| 30 | 890 | 820 | 750 | 570 |
| 35 | 750 | 680 | 620 | 550 |
| 40 | 610 | 540 | 480 | 410 |

MOTOR SPECIFICATIONS

| MOTOR | RPM | VOLTS | AMPS | HZ |
|--------------|------------|--------------|-------------|-----------|
| Universal | 7500 | 120 | 7.3 | 60 |

FOR PUMP AND SYSTEM ACCESSORIES SEE ACCESSORIES SECTION
 BLUE ANGEL™ PUMPS • 101 Production Drive • Harrison, OH 45030 • 1-888-636-6628

© 2008 Blue Angel Pumps All Rights Reserved