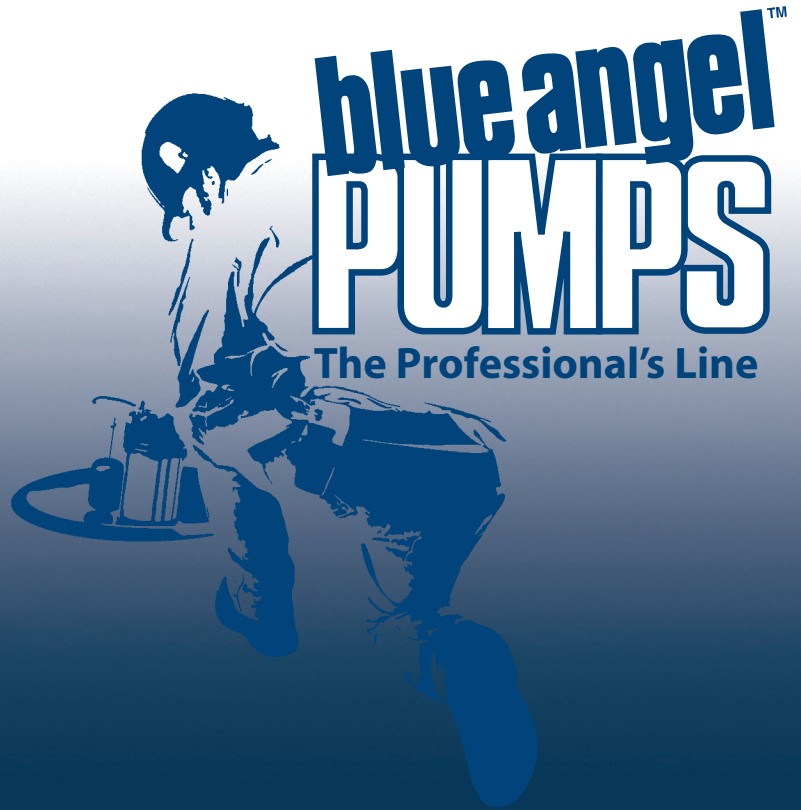


# 4 HP GASOLINE- POWERED TRANSFER UTILITY PUMP



- **160 GPM @ 0'**

- **4 HP Honda OHV Engine**

- **Corrosion-Resistant Cast Iron Pump Casing and Impeller**

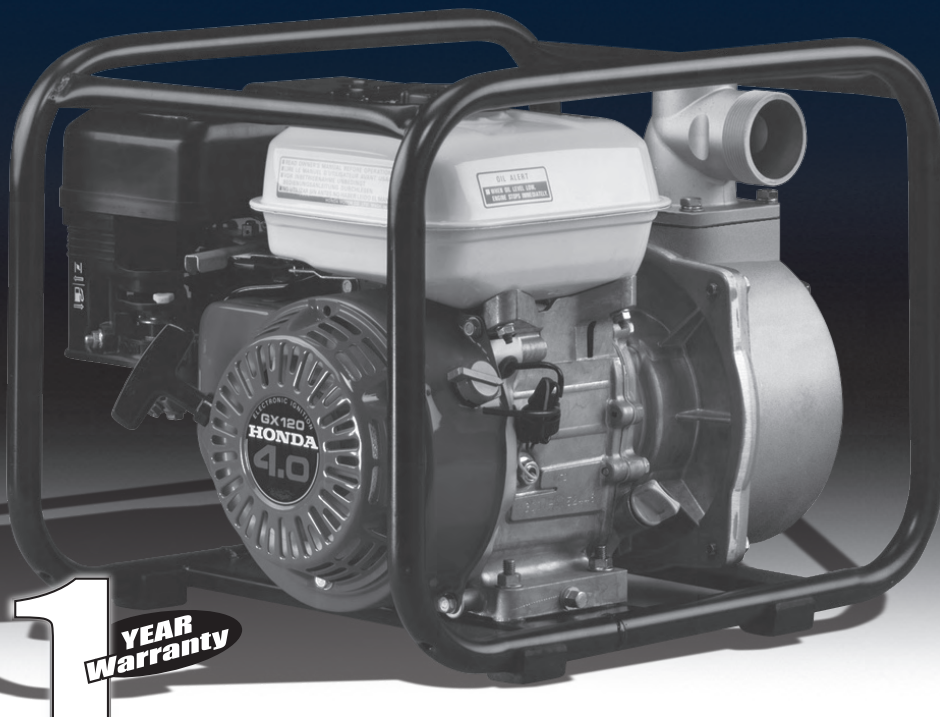
- **Heavy Duty Roll Cage Protects the Pump and Provides a Wide Base for Stability**

- **2" NPT Inlet and Discharge Size for Standard Connection to Transfer Hose**

- **Passes Up to 1/2" Solids**

- **Inlet Flapper Valve Helps Maintain Prime**

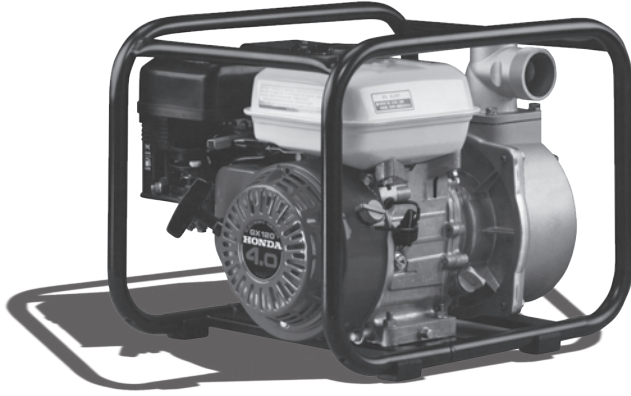
- **Low Oil Shutdown on Engine**



**1**  
YEAR  
Warranty

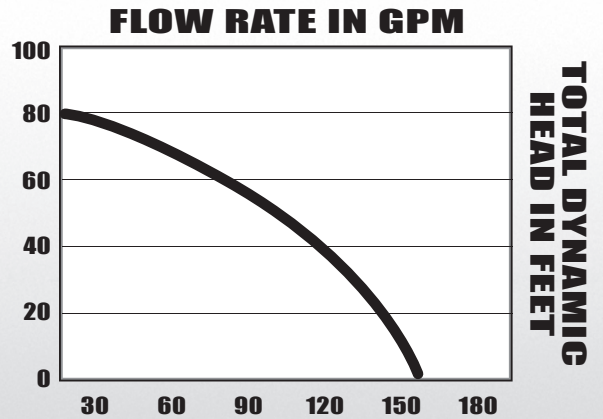
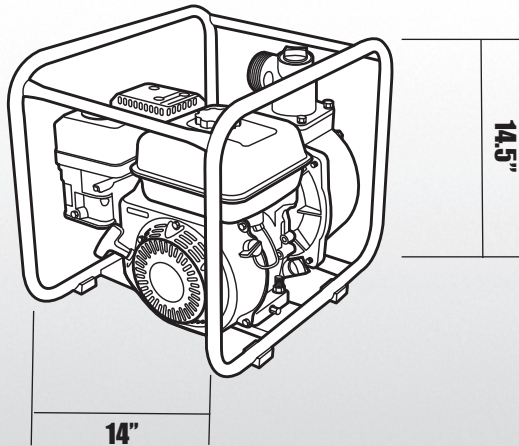
[www.blueangelpumps.com](http://www.blueangelpumps.com)

# 4 HP GASOLINE-POWERED TRANSFER UTILITY PUMP



## BGP400

- 4-Cycle Engine - Overhead Valve
- Cast Iron Impeller
- Non-Automatic
- Shipping Weight, 52 lbs
- 1 Year Warranty



### ENGINE SPECIFICATIONS

ENGINE	RPM
Honda	3500

### PERFORMANCE

DISCHARGE HEAD	0'	20'	40'	60'
Gallons/Minute	160	150	130	88

FOR PUMP AND SYSTEM ACCESSORIES SEE ACCESSORIES SECTION  
 BLUE ANGEL™ PUMPS • 101 Production Drive • Harrison, OH 45030 • 1-888-636-6628

© 2008 Blue Angel Pumps All Rights Reserved