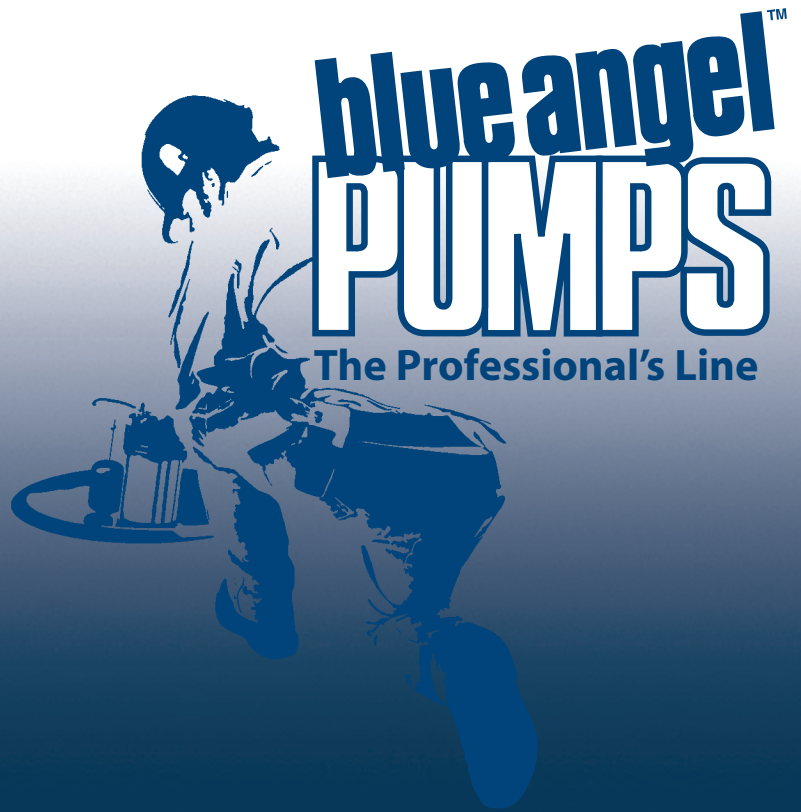


5.5 HP GASOLINE- POWERED TRANSFER UTILITY PUMP



- **280 GPM @ 0'**

- **5.5 HP Honda OHV Engine**

- **Corrosion-Resistant Cast Iron Pump Casing and Impeller**

- **Heavy Duty Roll Cage Protects the Pump and Provides a Wide Base for Stability**

- **3" NPT Inlet and Discharge Size for Standard Connection to Transfer Hose**

- **Passes Up to 5/8" Solids**

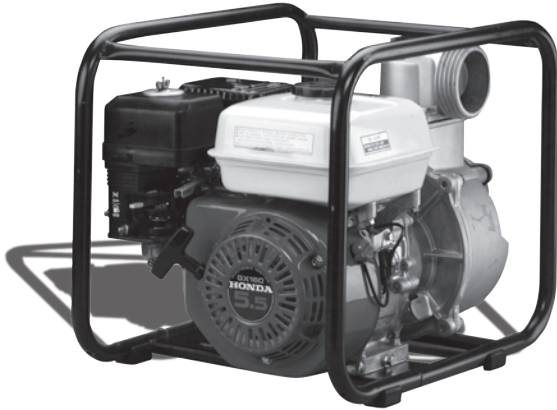
- **Inlet Flapper Valve Helps Maintain Prime**

- **Low Oil Shutdown on Engine**



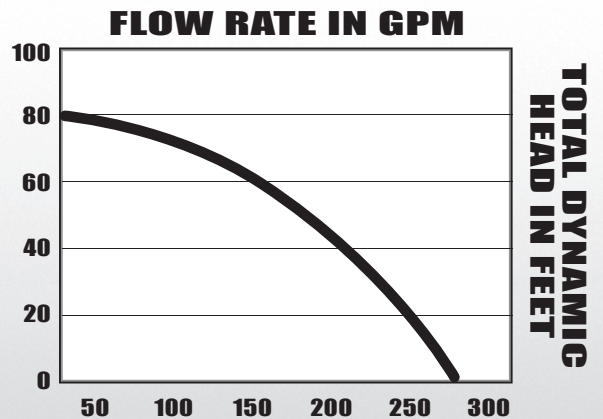
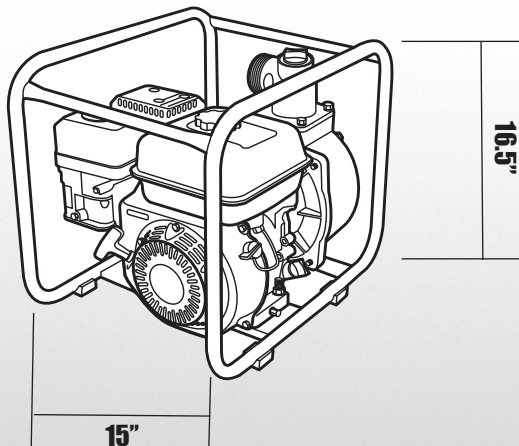
www.blueangelpumps.com

5.5 HP GASOLINE-POWERED TRANSFER UTILITY PUMP



BGP550

- 4-Cycle Engine
- Cast Iron Impeller
- Non-Automatic
- Shipping Weight, 60 lbs
- 1 Year Warranty



ENGINE SPECIFICATIONS

ENGINE	RPM
Honda	3500

PERFORMANCE

DISCHARGE HEAD	0'	20'	40'	60'
Gallons/Minute	280	240	200	150

FOR PUMP AND SYSTEM ACCESSORIES SEE ACCESSORIES SECTION
 BLUE ANGEL™ PUMPS • 101 Production Drive • Harrison, OH 45030 • 1-888-636-6628

© 2008 Blue Angel Pumps All Rights Reserved