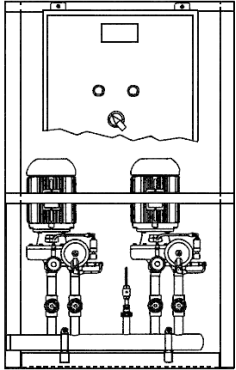


JOB:	REPRESENTATIVE:	
UNIT TAG:	ORDER NO.	DATE:
ENGINEER:	SUBMITTED BY:	DATE:
CONTRACTOR:	APPROVED BY:	DATE:



70VS Series Variable Speed Pressure Booster System

DESIGN DATA:

System Capacity:	_____	GPM
Pressure Required @ Discharge Header:	_____	PSIG
Pressure Drop through Package (include discharge valve):	_____	PSIG
Minimum Suction Pressure:	_____	PSIG

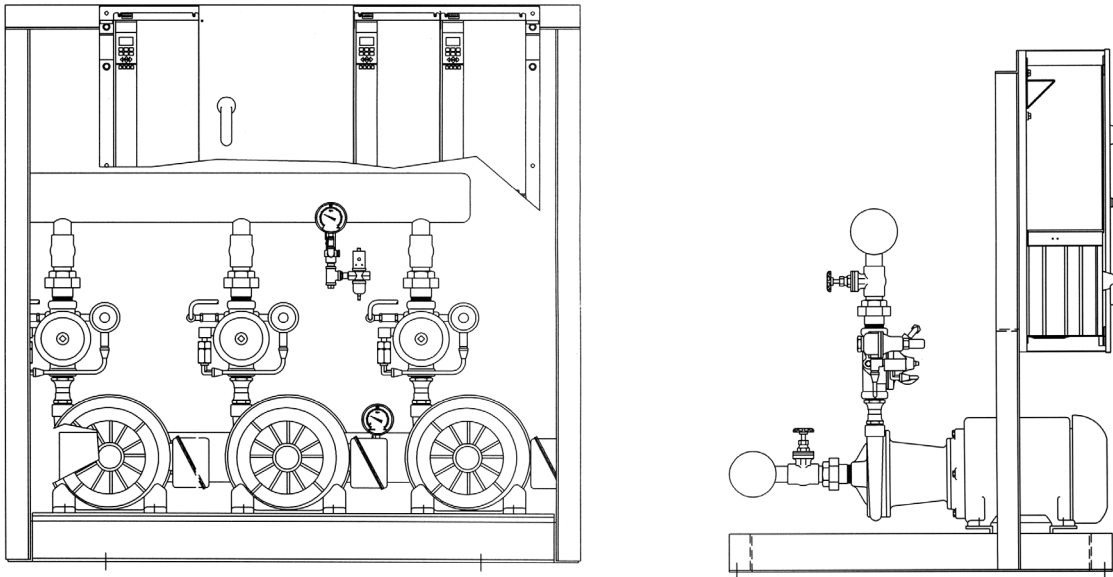
	Pump No. 1	Pump No. 2	Pump No. 3 (optional)
Gallons per Minute	_____	_____	_____
Pump TDH (feet)	_____	_____	_____
Header size _____ Inch			
Discharge Valve:			
<input type="checkbox"/> PRV <input type="checkbox"/> Check Valve	Size _____	_____	_____
Pump Series:			
<input type="checkbox"/> 1531 <input type="checkbox"/> _____ (other)	Size _____	_____	_____
Motor HP _____			
Motor RPM _____	Voltage _____	Hertz _____	Phase _____

Note: TDH includes discharge valve and package losses.

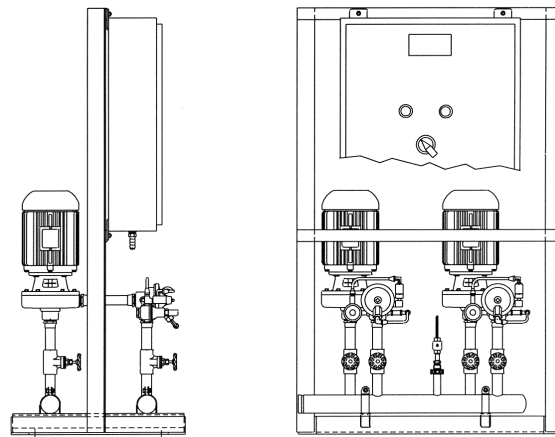
CONFIGURATION:	Pump Orientation <input type="checkbox"/> Vertical <input type="checkbox"/> Horizontal	Header Material <input type="checkbox"/> Copper <input type="checkbox"/> Galvanized Steel
-----------------------	---	--

STANDARD EQUIPMENT: Complete package fully piped, wired and tested. Bronze fitted B&G pumps, isolation valves on suction and discharge of each pump; PRV or check valve on discharge side of each pump; thermal build-up protection in discharge header.

Three Pumps System (typical)



Two Pumps System (typical)



	Length	Width	Height
Three Pump System	68	38	72
Two Pump System	45	29	72

Dimensions Valid for 3" and 4" Headers AND 25 hp (460V) or less motors.
 Do not use for construction. Dimensions are approximate and subject to change.
 Contact factory for certified dimensions



Bell & Gossett

Bell & Gossett
 8200 N. Austin Avenue, Morton Grove, IL 60053
 Phone (847)966-3700
 Facsimile (847)966-9052
www.bellgossett.com

