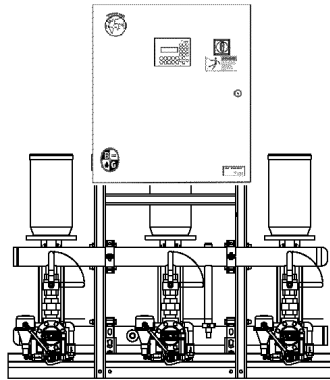
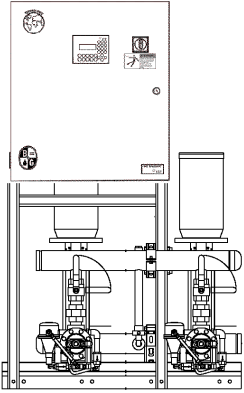


JOB:	REPRESENTATIVE:	
UNIT TAG:	ORDER NO.:	DATE:
ENGINEER:	SUBMITTED BY:	DATE:
CONTRACTOR:	APPROVED BY:	DATE:



70M-MS Series

Pressure Booster System

Vertical Configuration

DESIGN DATA:

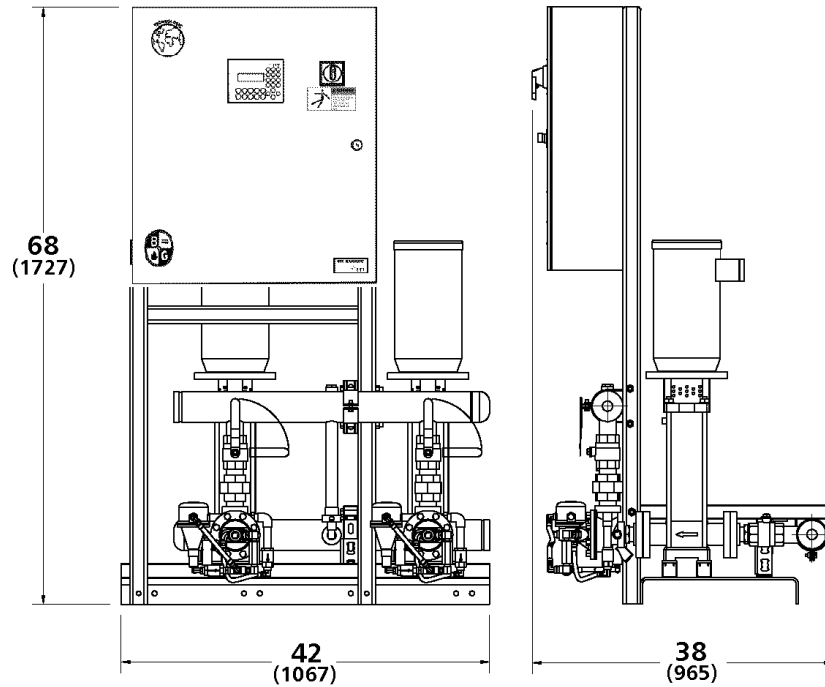
System Capacity:	_____	GPM
Pressure Required @ Discharge Header:	_____	PSIG
Pressure Drop through Package (include PRV):	_____	PSIG
Minimum Suction Pressure:	_____	PSIG

	Pump No. 1	Pump No. 2	Pump No. 3
Gallons per Minute	_____	_____	_____
Pump TDH (feet)	_____	_____	_____
Header size _____ Inch			
<input type="checkbox"/> PRV or <input type="checkbox"/> Check Valve	Size _____	Size _____	Size _____
Vertical Multi-Stage Pumps	Size _____	Size _____	Size _____
Motor HP	_____	_____	_____
Motor RPM _____ Voltage _____	Hertz _____	Phase _____	

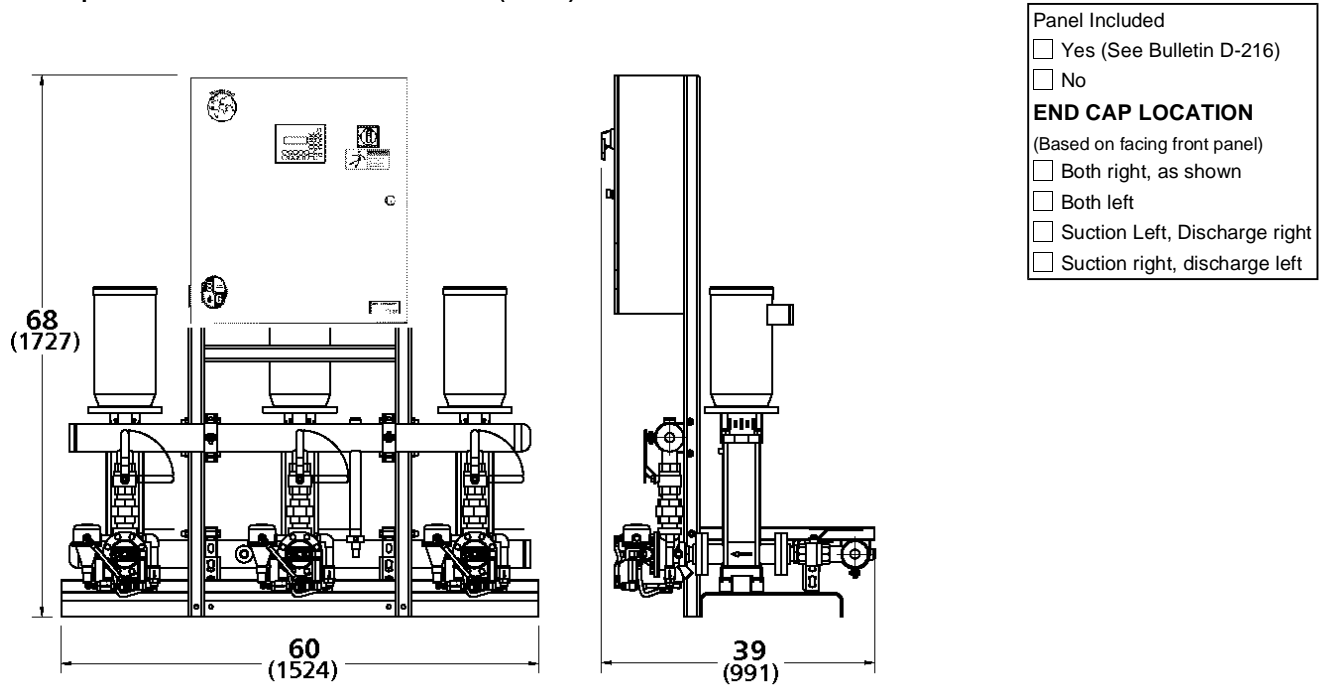
Note: TDH includes PRV and package losses.

STANDARD EQUIPMENT: **Assembled System.** Basic unit fully piped, tested and mounted on steel frame includes: Multi-Stage pumps; shut-off valves on suction and discharge of each pump/PRV Set; combination pressure reducing-nonslam check valves on discharge side of each pump; thermal protection provided for all pumps. Stainless Steel grooved headers and non-ferrous interconnecting piping.

70M-MS Duplex Dimensions - Inches (mm)



70M-MS Triplex Dimensions - Inches (mm)



Dimensions Valid for systems utilizing 1SV, 2SV, 3SV or 4SV pumps with 3" and 4" Headers only.
 Do not use for construction. Dimensions are approximate and subject to change.
 Contact factory for certified dimensions. Standard header cap locations shown: Suction left/Discharge right, when facing panel.