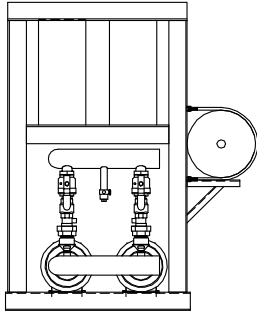
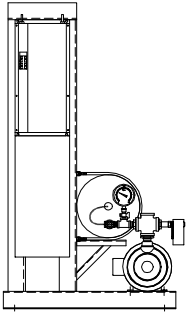


JOB	B & G REPRESENTATIVE	
UNIT TAG NO.	ORDER NO.	DATE
ENGINEER	SUBMITTED BY	DATE
CONTRACTOR	APPROVED BY	DATE



Simplex or Duplex MiniSpeed Variable Speed Pressure Boosters

 Simplex

System Capacity: _____ GPM
 Discharge Pressure: _____ PSIG
 Suction Pressure: _____ PSIG

Pump Data

Gallons Per Minute: _____
 Pump TDH (Feet): _____

Series 3530: 1" x 1 1/4"
 1 1/4" x 1 1/2"

Motor HP: _____ Motor RPM: _____
 Voltage: _____ Hertz: _____ Phase: _____

 Duplex

System Capacity: _____ GPM
 Discharge Pressure: _____ PSIG
 Suction Pressure: _____ PSIG

Pump Data

Gallons Per Minute (Pump 1): _____
 Gallons Per Minute (Pump 2): _____
 Pump(s) TDH (Feet): _____

Series 3530: 1" x 1 1/4" with 2" Copper Headers
 1 1/4" x 1 1/2" with 3" Copper Headers

Motor HP: _____ Motor RPM: _____
 Voltage: _____ Hertz: _____ Phase: _____

Tech 500 Controller & Variable Speed Drive

Standard Features: • Pump Alternation • No Flow Shut Down • Local-Off-Remote Switch • Nema 1 Enclosure
 • Fused Door Interlock Disconnect • Motor Overload Protection • High System Cutout • Low Suction Cutout
 Switch • Pressure Sensor Mounted On Package • Variable Speed Drive

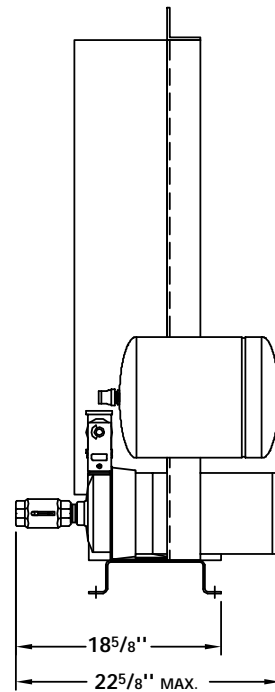
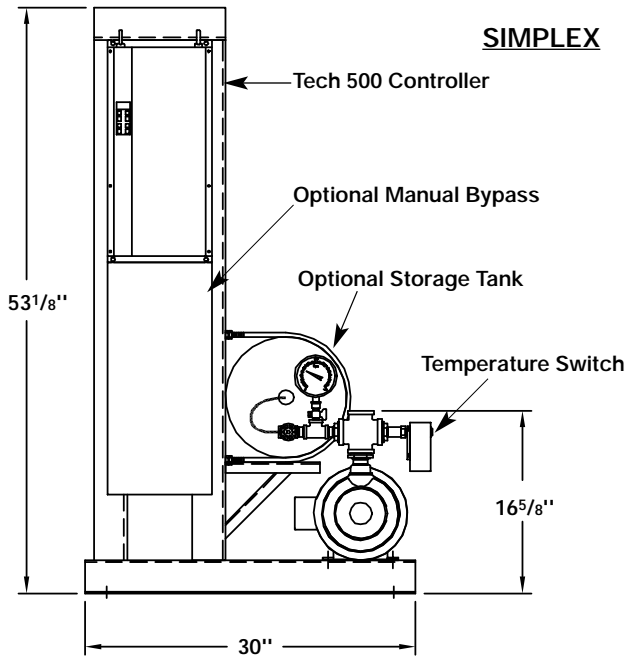
Manual Bypass on Tech 500 (and drive)

Options – (Ship Loose)

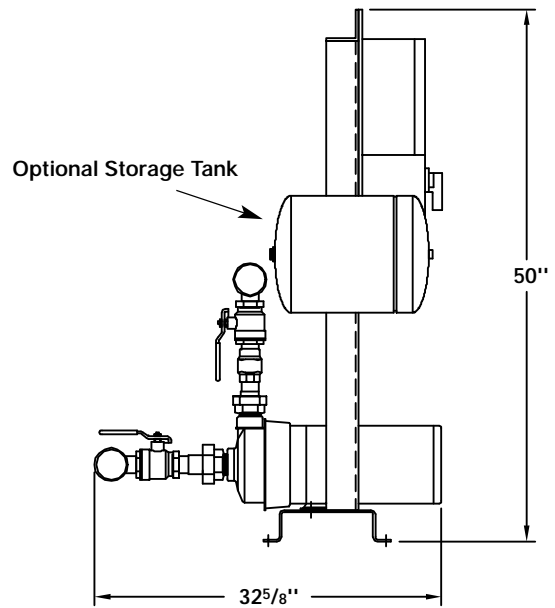
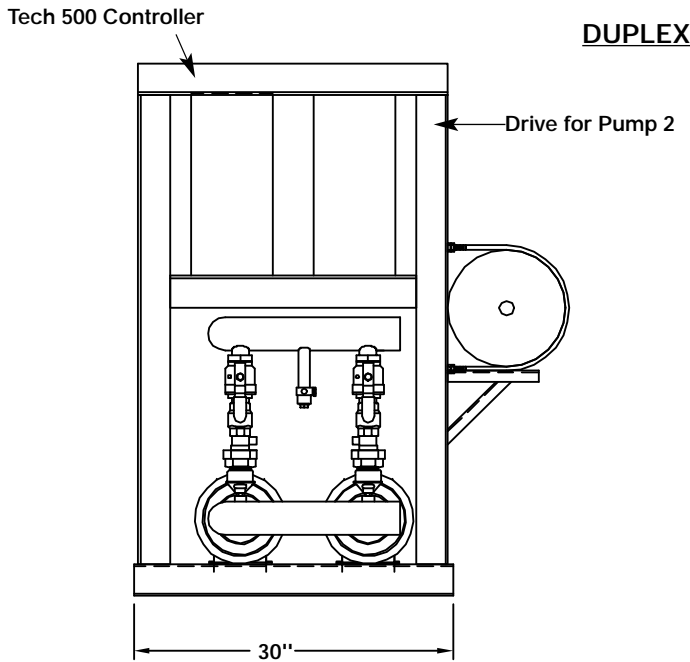
- | | |
|--|---|
| <input type="checkbox"/> PRV – <input type="checkbox"/> 1 1/4" <input type="checkbox"/> 1 1/2" <input type="checkbox"/> 2" – <input type="checkbox"/> NPT or <input type="checkbox"/> FLNG | <input type="checkbox"/> Remote Pressure Sensor – Model____, Qty____
<input type="checkbox"/> Flowmeter calibrated for____" pipe
<input type="checkbox"/> Storage Tank Volume / Acceptance (gallons)
<input type="checkbox"/> PT-5 2/.9 <input type="checkbox"/> PT-12 4.4/3.2 |
|--|---|

Bell & Gossett

Dimensions



MAXIMUM WEIGHT 400 LBS.



MAXIMUM WEIGHT 600 LBS.



Bell & Gossett

USA
 Bell & Gossett
 8200 N. Austin Avenue
 Morton Grove, IL 60053
 Phone: (847) 966-3700
 Facsimile: (847) 966-9052
<http://www.bellgossett.com>



INTL.
 Bell & Gossett / Export Dept.
 8200 N. Austin Avenue
 Morton Grove, IL 60053
 Phone: (847) 966-3700
 Facsimile: (847) 966-8366
<http://www.bellgossett.com>

CANADA
 Fluid Products Canada
 55 Royal Road
 Guelph, Ontario,
 N1H 1T1, Canada
 Phone: (519) 821-1900
www.itfpc.ca