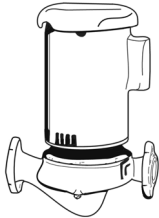


JOB:	REPRESENTATIVE:	
UNIT TAG:	ORDER NO.	DATE:
ENGINEER:	SUBMITTED BY:	DATE:
CONTRACTOR:	APPROVED BY:	DATE:



Series 90

Centrifugal Pumps

Vertical In-Line Close-Coupled

3500 RPM Three Phase

FEATURES

- Bronze Fitted Construction
- Cast Iron Volute
- Brass Impeller

TYPE OF SEAL

- Standard Seal
Buna-Carbon/Ceramic
0°F to +225°F
(-18°C to +107°C)

WORKING PRESSURE

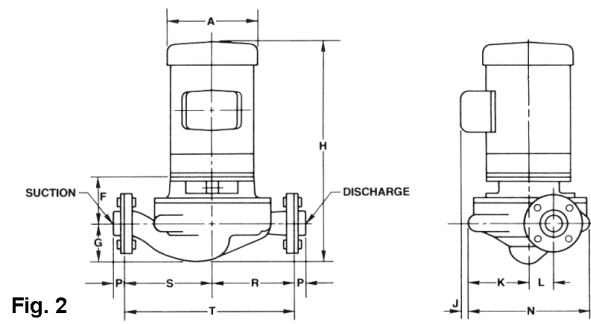
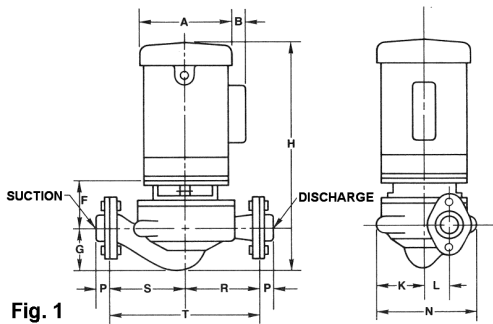
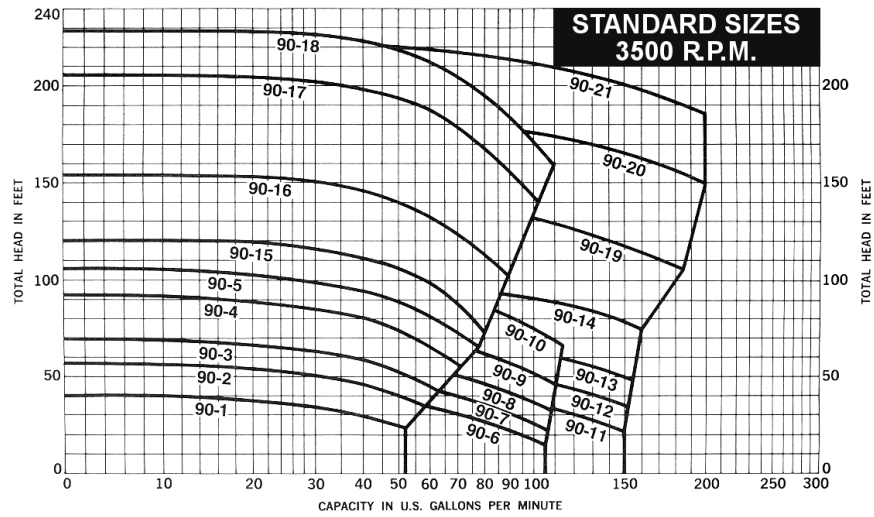
- 175 psi (12 bar) W.P.

SCHEDULE

MODEL NUMBER	PART NUMBER	VOLTAGE	PHASE	CYCLE	TAGGING INFORMATION	QUANTITY
90-1T	179001	208-230/460	3	60		
90-2T	179003	208-230/460	3	60		
90-3T	179005	208-230/460	3	60		
90-4T	179007	208-230/460	3	60		
90-5T	179008	208-230/460	3	60		
90-6T	179010	208-230/460	3	60		
90-7T	179012	208-230/460	3	60		
90-8T	179014	208-230/460	3	60		
90-9T	179015	208-230/460	3	60		
90-10T	179016	208-230/460	3	60		
90-11T	179018	208-230/460	3	60		
90-12T	179019	208-230/460	3	60		
90-13T	179020	208-230/460	3	60		
90-14T	179021	208-230/460	3	60		

Motors are Open Dripproof.





3500 RPM FIG. 1 ALL MOTORS ARE THREE PHASE

MODEL NO.	PUMP SIZE	SUCTION & DISCHARGE SIZE IN NPT	MOTOR H.P.	FRAME	NO. OF FLANGE BOLTS	DIMENSIONS - IN INCHES (MM)										
						MAX A	F	G	MAX. H	K	L	N	P	R	S	T
90-1T	1-1/4AA	1-1/4	1/2	56C	2	7-1/2 (190)	2-3/4 (70)	3-7/16 (87)	14-7/8 (378)	3-5/8 (92)	1-3/8 (35)	7-1/2 (190)	3/4 (19)	5 (127)	6 (152)	11 (279)
90-2T	1-1/4AA	1-1/4	3/4	56C	2	7-1/2 (190)	2-3/4 (70)	3-7/16 (87)	15-3/8 (391)	3-5/8 (92)	1-3/8 (35)	7-1/2 (190)	3/4 (19)	5 (127)	6 (152)	11 (279)
90-3T	1-1/4AA	1-1/4	1	56C	2	7-1/2 (190)	2-3/4 (70)	3-7/16 (87)	16 (406)	3-5/8 (92)	1-3/8 (35)	7-1/2 (190)	3/4 (19)	5 (127)	6 (152)	11 (279)
90-4T	1-1/4AA	1-1/4	1-1/2	56C	2	7-1/2 (190)	2-3/4 (70)	3-7/16 (87)	17 (432)	3-5/8 (92)	1-3/8 (35)	7-1/2 (190)	3/4 (19)	5 (127)	6 (152)	11 (279)
90-5T	1-1/4AA	1-1/4	2	56C	2	7-1/2 (190)	2-3/4 (70)	3-7/16 (87)	17 (432)	3-5/8 (92)	1-3/8 (35)	7-1/2 (190)	3/4 (19)	5 (127)	6 (152)	11 (279)
90-6T	1-1/2AA	1-1/2	3/4	56C	2	7-1/2 (190)	2-7/8 (73)	3-5/8 (92)	15-5/8 (397)	3-3/4 (95)	1-3/8 (35)	7-7/8 (200)	3/4 (19)	5 (127)	6-1/2 (165)	11-1/2 (292)
90-7T	1-1/2AA	1-1/2	1	56C	2	7-1/2 (190)	2-7/8 (73)	3-5/8 (92)	16-1/4 (413)	3-3/4 (95)	1-3/8 (35)	7-7/8 (200)	3/4 (19)	5 (127)	6-1/2 (165)	11-1/2 (292)
90-8T	1-1/2AA	1-1/2	1-1/2	56C	2	7-1/2 (190)	2-7/8 (73)	3-5/8 (92)	17-1/4 (438)	3-3/4 (95)	1-3/8 (35)	7-7/8 (200)	3/4 (19)	5 (127)	6-1/2 (165)	11-1/2 (292)
90-9T	1-1/2AA	1-1/2	2	56C	2	7-1/2 (190)	2-7/8 (73)	3-5/8 (92)	17-1/4 (438)	3-3/4 (95)	1-3/8 (35)	7-7/8 (200)	3/4 (19)	5 (127)	6-1/2 (165)	11-1/2 (292)
90-10T	1-1/2AA	1-1/2	3	56C	2	7-1/2 (190)	2-7/8 (73)	3-5/8 (92)	17-3/4 (451)	3-3/4 (95)	1-3/8 (35)	7-7/8 (200)	3/4 (19)	5 (127)	6-1/2 (165)	11-1/2 (292)
90-11T	2AA	2	1-1/2	56C	4	7-1/2 (190)	3 (76)	3-3/4 (95)	17-1/2 (444)	3-3/4 (95)	1-3/8 (35)	8 (203)	13/16 (21)	5 (127)	6-1/2 (165)	11-1/2 (292)
90-12T	2AA	2	2	56C	4	7-1/2 (190)	3 (76)	3-3/4 (95)	17-1/2 (444)	3-3/4 (95)	1-3/8 (35)	8 (203)	13/16 (21)	5 (127)	6-1/2 (165)	11-1/2 (292)
90-13T	2AA	2	3	56C	4	7-1/2 (190)	3 (76)	3-3/4 (95)	18 (457)	3-3/4 (95)	1-3/8 (35)	8 (203)	13/16 (21)	5 (127)	6-1/2 (165)	11-1/2 (292)
90-14T	2AA	2	5	56C	4	7-1/2 (190)	3 (76)	3-3/4 (95)	19-1/2 (495)	3-3/4 (95)	1-3/8 (35)	8 (203)	13/16 (21)	5 (127)	6-1/2 (165)	11-1/2 (292)

Dimensions are subject to change. Not to be used for construction purposes unless certified.



Bell & Gossett

Bell & Gossett
 8200 N. Austin Avenue, Morton Grove, IL 60053
 Phone (847)966-3700
 Facsimile (847)966-9052
 www.bellgossett.com

