

**Domestic water supply
is getting more compact ...**



... much more compact

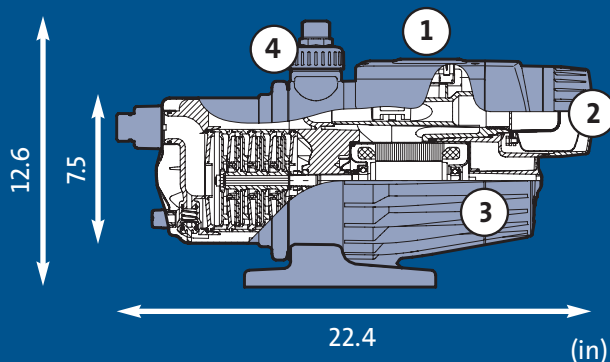
The Grundfos MQ is a compact all-in-one pressure boosting unit, designed for domestic water supply and other boosting or lift applications. The MQ is a compact and reliable, easy-to-install pump, with many standard features.

The MQ pump is ideal for pressure boosting from water storage tanks or from city water supply (maximum 45 psi inlet pressure). The MQ is also a self-priming multistage centrifugal pump. It can selfprime from a well depth of down to 26 feet within a maximum time of 5 minutes.*

* For detailed suction lift performance characteristics, refer to the MQ product guide.



Dimensions and features



- ① User-Friendly control panel
- ② Built-in pressure tank
- ③ Low noise operation
- ④ Flexible discharge connection

➤ Easy to install



The Grundfos' MQ pump is compact and extremely easy to install. The pressure switch and tank are already built into the MQ. Furthermore, it is self-priming and water-cooled with a very low noise level. The outlet pipe connection can be angled up to 5° to fit your existing pipe-work.

➤ Smart operation



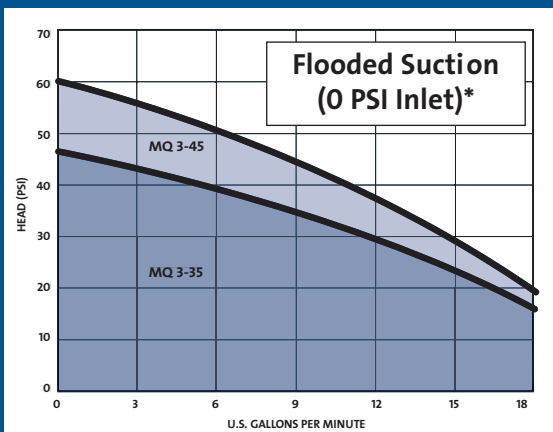
Grundfos' MQ pump is simple and easy to operate. The settings are clearly indicated on the user-friendly control panel with indicator lights for Pump on/off, auto reset, and an alarm indicating dry running or overheating.

➤ Built to last

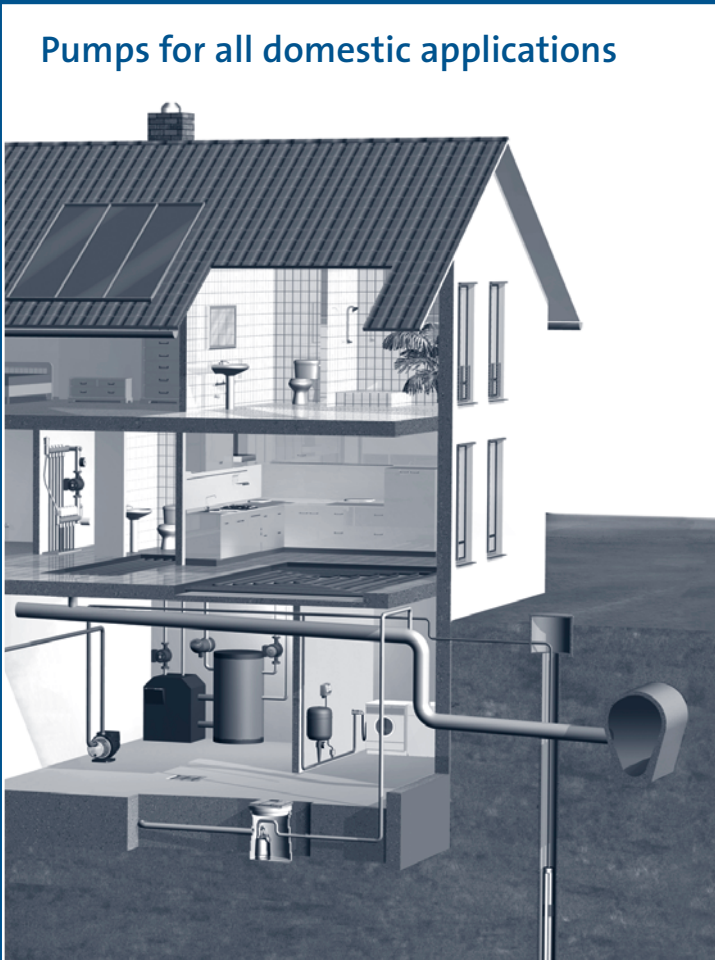


Grundfos MQ is built for trouble-free operation. It's construction from corrosion-resistant materials means it can be used for clean water. The anti-cycling feature prevents the pump from repeatedly starting and stopping in the event of a dripping tap or a minor leak. If there is no water available, the pump will stop to protect itself and restart automatically when water is available again.

Grundfos MQ self-priming multistage pump



Performance range:	Flow up to 20 gpm Head up to 139 ft
System pressure:	Up to 109 psi
Inlet pressure:	Max. 45 psi
Suction lift:	Max. 26 ft
Liquid temperature:	32°F to +95°F
Ambient temperature:	32°F to +113°F
Nominal voltage range:	1 x 110 - 120 V or 1 x 220 - 240 V
Weight:	29 pounds
Dimensions:	12.6 x 22.4 x 8.7 (in)
Thermal protection	Yes



Pumps for all domestic applications

SUPERBRUTE (UPS15-58FC)
Closed system circulator pumps

SmartFlo™ SQE
3" Submersible pumps

Comfort System
Hot water recirculation

KP and AP
Sump and utility pumps

Small UP, UPS
Open system circulator pumps

MQ
Self-priming multistage pump

Grundfos is the flexible and innovative choice

Grundfos has been developing pumps for domestic use for more than 40 years. Throughout our long history our focus has always been innovative solutions for heating, water supply and wastewater applications.

L-MQ-SL-001 | Rev. 6/04
PRINTED IN USA

U.S.A.
Grundfos Pumps Corporation
17100 W. 118th Terrace
Olathe, Kansas 66061
Telephone: (913) 227-3400
Fax: (913) 227-3500

Canada
Grundfos Canada, Inc.
2941 Brighton Rd.
Oakville, Ontario L6H 6C9
Telephone: (905) 829-9533
Fax: (905) 829-9512

Mexico
Bombas Grundfos de Mexico, S.A. de C.V.
Boulevard TLC #15
Parque Industrial Stiva Aeropuerto
C.P. 66600 Apodaca, N.L. Mexico
Telephone: 011-52-81-8144-4000
Fax: 011-52-81-8144-4010