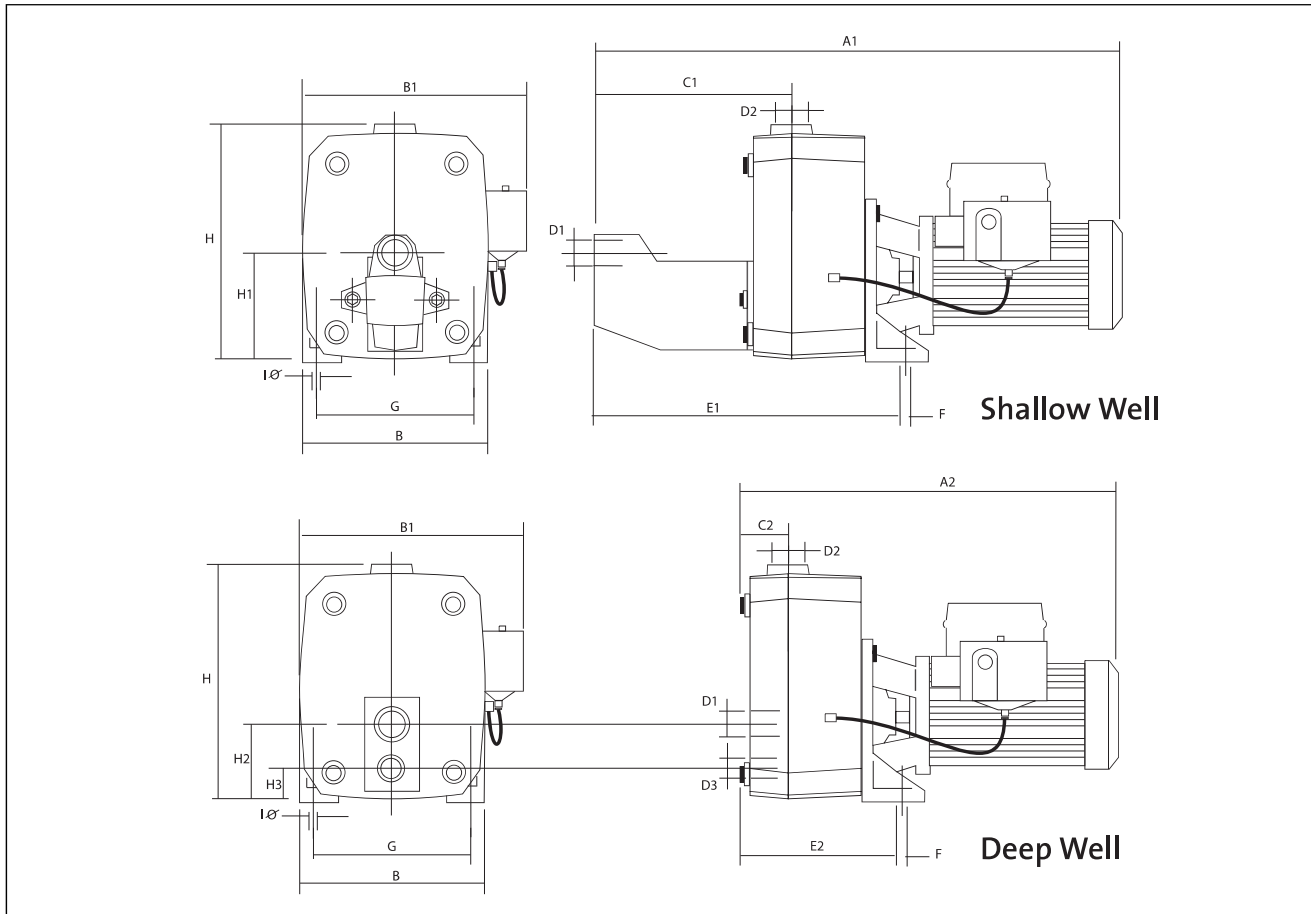


\* Capacities given are for near-sea level installations.

Dimensional Drawings



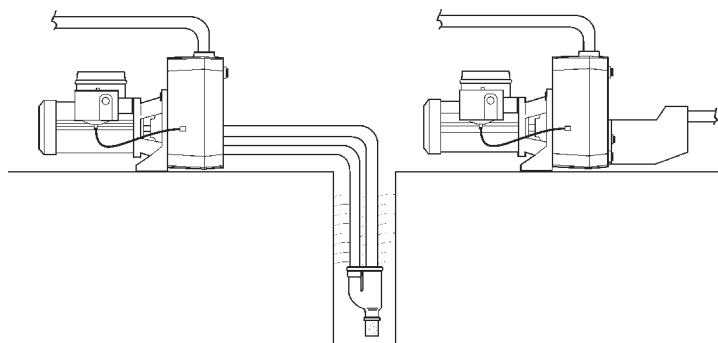
Dimensions and Weights

Pump Type	Motor Data				D1 Suction NPT	D2 Disch. NPT	D3 Return NPT	Dimensions (inches)														Ship Wt. (lbs)	Ship Vol. (Cu Ft.)	
	HP	S.F.	PH	Volts				A1	A2	B	B1	C1	C2	E1	E2	F	G	H	H1	H2	H3			IØ
JPF5A	1.5	1.3	1	230	1-1/4"	1"	1"	22.0	15.3	8.3	11.0	8.7	2.0	13.8	7.8	0.78	5.7	10.0	6.2	4.3	2.1	0.44	70	1.9
JPF7A	2	1.2	1	230	1-1/4"	1"	1"	25.6	19.9	8.3	12.4	8.7	2.0	13.8	7.8	0.78	5.7	10.0	6.2	4.3	2.1	0.44	73	2.5

Conversion Instructions from Shallow Well to DeepWell\*

Remove bolts and detach ejector nose from convertible jet pump. Connect suction (D1) and pressure (D3) port to deep well ejector.

\* Requires separate ejector to suit specific suction lift needs.

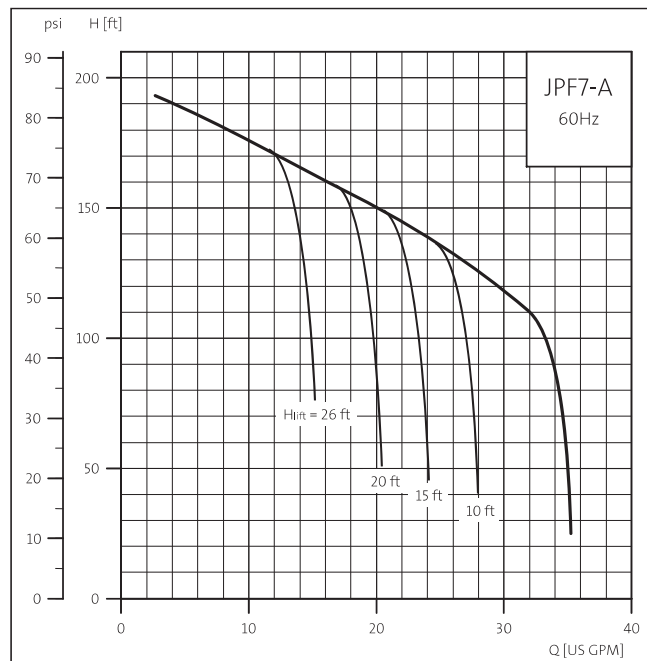
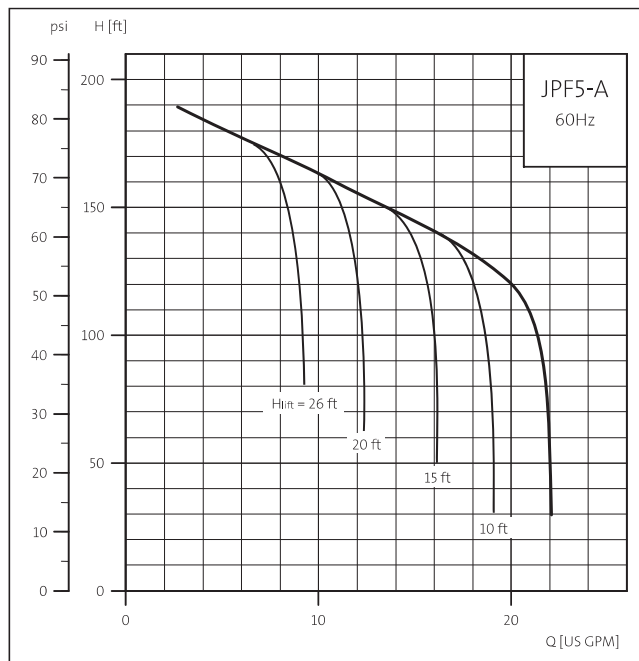


## Shallow Well Performance Chart

Model	HP	Depth to Water	Discharge Pressure (PSI)							Shut-off (PSI)	Pressure Switch Settings (PSI)
			20	30	35	40	45	50	55		
			Capacities (U.S. gpm)*								
JPF5A	1-1/2	5	21	20.5	20	20	20	19	17.5	86.5	50-70
		10	19	18.5	18	18	17.5	17.5	17	84	
		15	16	16	16	15.5	15	15	14.5	81.5	
		20	13.5	13.5	13.5	13	13	12.5	12	79	
		25		10	10	9.5	9	9	8.5	76.5	
JPF7A	2	5	34	34	33.5	33	32.5	30	27	88	50-80
		10	28.5	28	28	28	27.5	27	26	85.7	
		15	24	24	23.5	23.5	23	22.5	22	83	
		20	20	20	19.5	19.5	19.5	19	19	80	
		25		15.5	15.5	15.5	15	15	15	77.8	

\* Capacities given are for near-sea level installations.

## Performance Curves



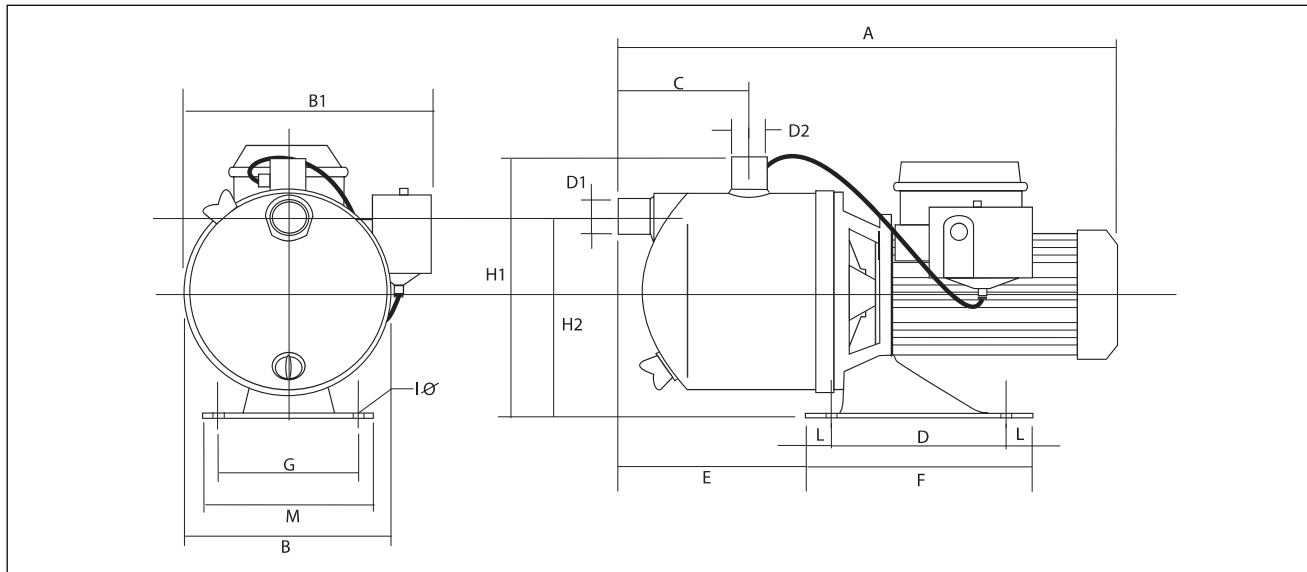
\* Capacities given are for near-sea level installations.

### Deep Well Performance Chart

Model	Ejector Type	Discharge Pressure (psig)	Depth to water (feet)											
			30	40	50	60	70	80	90	100	120	140		
			Capacities U.S. gpm*											
JPF5A	E20	45	14.9	13.2	11.4	9.7	7.8	6.0						
		50	12.1	10.2	8.4	6.7	3.9							
		60	9.6	7.3	5.3	3.7								
		65	6.0	4.1	2.1									
		75	2.9	1.0										
	E25	50			10.1	8.9	8.0	6.2	4.8					
		60			8.0	6.8	5.8	4.1	3.0					
		65			6.0	5.4	1.0							
		75			5.3	3.1								
		80			2.5	1.7								
	E30	50					7.4	6.7	5.9	5.0	3.2	1.5		
		60					6.2	5.5	4.8	4.1	2.7	1.2		
65						5.1	4.5	3.9	3.1	1.4				
75						4.0	3.5	2.9	2.0					
80						3.1	2.7	2.2	1.8					
JPF7A	E20	50	17.5	15.8	14.3	11.7	8.0	5.5	1.5					
		60	14.2	12.5	10.6	8.5	6.0	3.6						
		65	11.0	9.8	7.1	5.0	2.1							
		75	7.8	6.0	3.6	1.7								
		80	4.2	2.6										
	E25	50			11.9	10.5	9.3	8.0	6.1	3.8	1.0			
		60			9.7	8.4	7.1	5.8	4.3	3.0				
		65			7.6	6.3	5.2	4.0	2.2					
		75			5.5	4.3	3.4	2.3						
		90			3.6	2.6	1.8							
	E30	65					7.9	6.9	6.1	5.1	3.9	1.5		
		75					6.3	5.6	5.1	4.3	2.8	1.0		
80						5.3	4.6	4.1	3.5	2.0				
90						4.3	3.7	3.2	2.6	1.2				
95						3.3	2.9	2.4	1.9					

\* Capacities given are for near-sea level installations.

## Dimensional Drawings



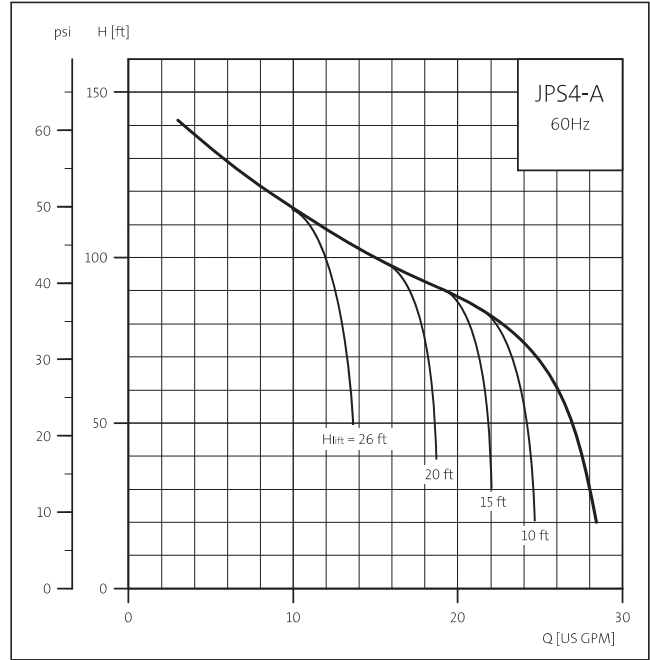
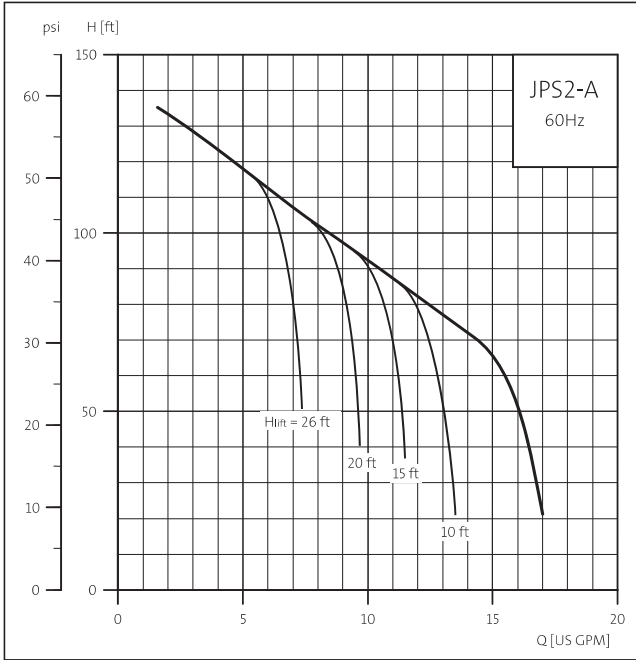
## Dimensions and Weights

Pump Type	Motor Data				D1 Suction NPT	D2 Disch. NPT	Dimensions (inches)											Ship Wt. (lbs)	Ship Vol. (Cu Ft.)
	HP	S.F.	PH	Volts			A	B	B1	C	E	F	G	H1	H2	L	IØ		
JPS2A	1/2	1.6	1	115 or 230	1"	1"	14.8	7.5	9.3	3.7	4.8	7.1	4.3	9.1	7.0	0.83	0.42	24	1.5
JPS4A	1	1.6	1	115 or 230	1"	1"	15.6	7.5	9.3	3.7	4.8	7.1	4.3	9.1	7.0	0.83	0.42	31	1.5

## Shallow Well Performance Chart

Model	HP	Depth to Water	Discharge Pressure (PSI)							Shut-off (PSI)	Pressure Switch Settings (PSI)
			20	30	35	40	45	50	55		
JPS2A	1/2	5	15	13	11	8	6	4	2	62	30-50
		10	14	12	10	7	5	3	1	59.5	
		15	13	11	9	6	4	2		57	
		20	10	10	8	5	3	1		54.5	
		25	8	8	7	4	2			52	
JPS4A	1	5	30	27	22	17	14	10	7	68	30-50
		10	26	23	21	16	13	9	6	65.5	
		15	22	21	20	15	12	8	5	63	
		20	18	17	16	14	11	7	4	60.5	
		25	14	13	13	12	11	6	3	58	

\* Capacities given are for near-sea level installations.



\* Capacities given are for near-sea level installations.