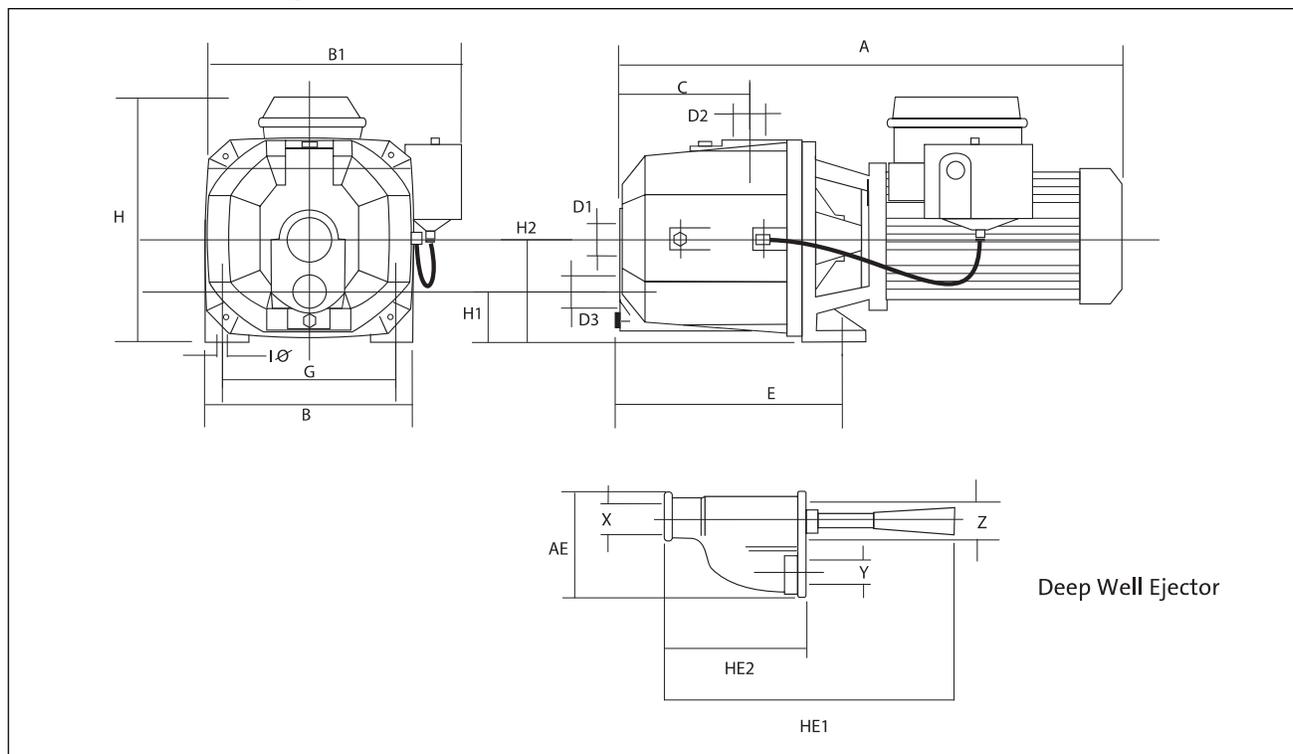


Dimensional Drawings



Dimensions and Weights

Pump Type	Motor Data				D1 Suction NPT	D2 Disch. NPT	D3 Return NPT	Dimensions (inches)										Ship Wt. (lbs)	Ship Vol. (Cu Ft.)
	HP	S.F.	PH	Volts				A	B	B1	C	E	IØ	G	H	H1	H2		
JDF2A	1/2	1.6	1	115 or 230	1.25"	1"	1"	15.2	7.1	9.1	3.5	8.0	0.38	5.5	8.9	1.9	3.6	36	1.5
JDF4A	3/4	1.5	1	115 or 230	1.25"	1"	1"	15.2	7.1	9.1	3.5	8.0	0.38	5.5	8.9	1.9	3.6	37	1.5

Deep Well Ejector Dimensions

AE	HE1	HE2	X	Y	Z
3.8	11.6	5.63	1" NPT	1" NPT	1.25" NPT

Nozzle and Venturi Combinations for Grundfos Deep Well Jet Pumps

Ejector Type	Nozzle Size		Venturi Size	
	mm.	Inches	mm.	Inches
E20	6	0.24	12	0.48
E25	6	0.24	10	0.40
E30	6	0.24	8.5	0.34

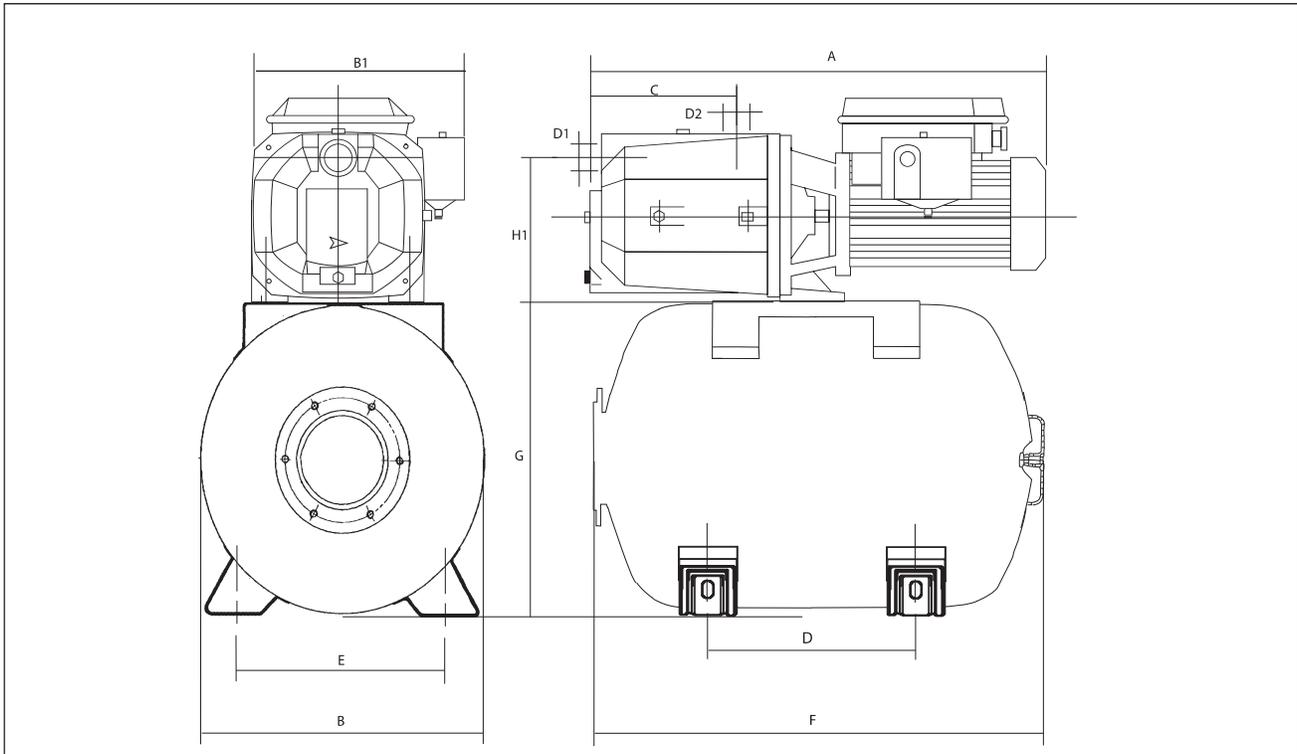
Performance Chart

Model	Ejector Type	Discharge Pressure (psig)	Depth to water (feet)					
			30	40	50	60	70	80
			Capacities U.S. gpm*					
JDF2A	E20	20	12.0	7.0				
		30	4.6					
		35						
		45						
		SHUTOFF (psi)						
	E25	20	10.4	8.5	6.5			
		30	5.8	4.5	2.9			
		35	3.8	2.5	1.1			
		45	1.0					
		SHUTOFF (psi)	0.8	0.7	0.7			
	E30	20	8.3	7.1	6.2	4.1	3.3	
		30	5.9	4.9	4.0	2.6	1.8	
		35	4.8	3.8	2.9	1.6		
		45	2.9	2.0	1.3			
		50	2.0	1.25				
SHUTOFF (psi)		1.0	0.9	0.9				
JDF4A	E20	20	18	9.0	1.6			
		30	8.3	2.7	0.8			
		35	3.4	1.0				
		45						
		SHUTOFF (psi)						
	E25	20	13.3	11.1	8.7			
		30	8.7	6.8	4.8			
		35	6.6	4.6	2.9			
		45	2.6	1.0				
		SHUTOFF (psi)	0.8	0.8	0.7			
	E30	30		6.0	5.4	4.4	3.5	2.2
		35		5.3	4.3	3.3	2.6	1.8
		45		3.1	2.3	1.6	1.2	
		50		2.2	1.5	1.0	0.5	
		SHUTOFF (psi)		1.2	1.0	1.0	0.9	

* Capacities given are for near-sea level installations.

*Available in Canada

Dimensional Drawings



Dimensions and Weights

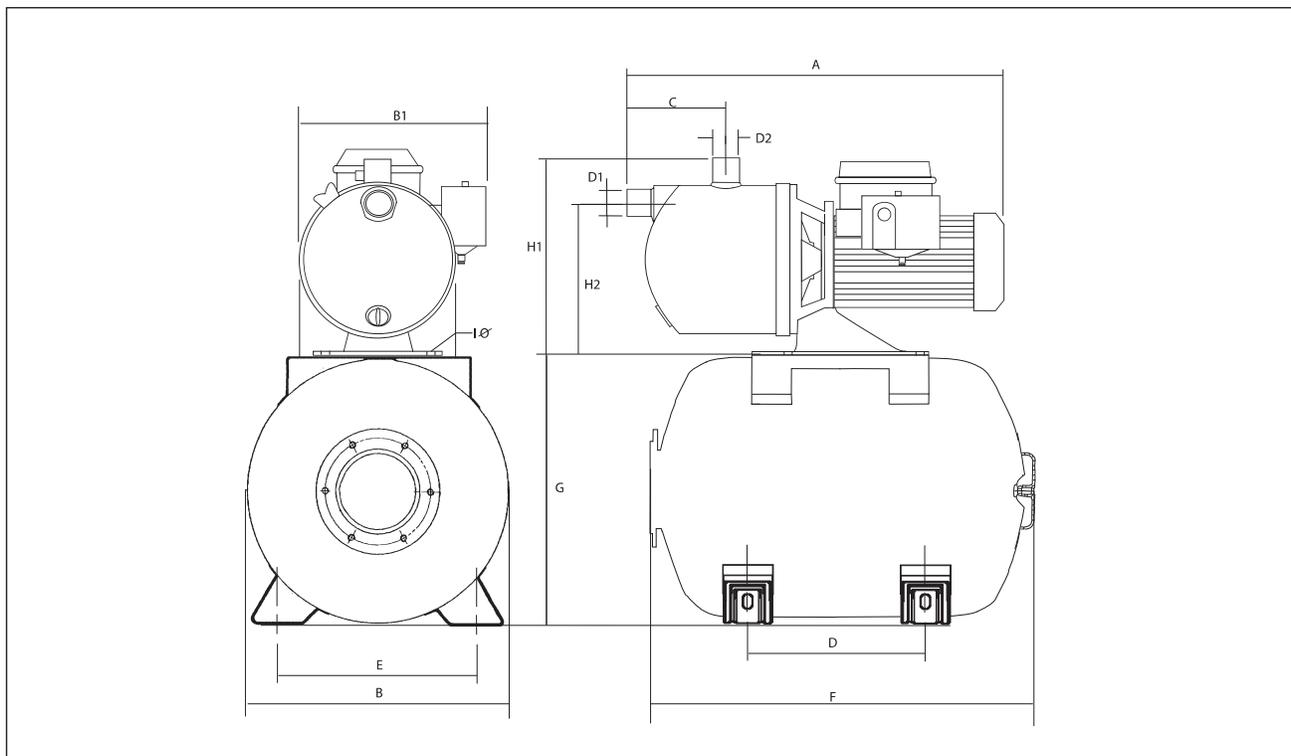
Pump Type	Motor Data				D1 Suction NPT	D2 Disch. NPT	Dimensions (inches)									Ship Wt. (lbs)	Ship Vol. (Cu Ft.)
	HP	S.F.	PH	Volts			A	B	B1	C	D	E	F	G	H1		
JPF3A	1/2	1.6	1	115 or 230	1"	1"	1.2	11.9	9.1	5.5	9.1	7.1	15.2	11.9	6.0	7.0	5.0

Shallow Well Performance Chart

Model	HP	Depth to Water	Discharge Pressure (PSI)							Shut-off (PSI)	Pressure Switch Settings (PSI)
			20	30	35	40	45	50	55		
JPF3A	1/2	5	12	11	11	10	7	6	4	73.5	30-50
		10	10.5	10	10	9.5	7	6	4	71	
		15	9	8.5	8	8	7	6	4	68.5	
		20	7.5	7	7	7	6.5	6	4	66	
		25	5	5	5	5	4.5	4	4	63.5	

* Capacities given are for near-sea level installations.

Dimensional Drawings



Dimensions and Weights

Pump Type	Motor Data				D1 Suction NPT	D2 Disch. NPT	Dimensions (inches)										Ship Wt. (lbs)	Ship Vol. (Cu Ft.)
	HP	S.F.	PH	Volts			A	B	B1	C	E	F	G	H1	H2	IØ		
JPS2A	1/2	1.6	1	115 or 230	1"	1"	14.8	11.9	9.3	3.7	7.1	15.2	11.9	8.5	6.0	0.38	45.0	5.0

Shallow Well Performance Chart

Model	HP	Depth to Water	Discharge Pressure (PSI)							Shut-off (PSI)	Pressure Switch Settings (PSI)
			20	30	35	40	45	50	55		
JPS2A	1/2	5	15	13	11	8	6	4	2	62	30-50
		10	14	12	10	7	5	3	1	59.5	
		15	13	11	9	6	4	2		57	
		20	10	10	8	5	3	1		54.5	
		25	8	8	7	4	2			52	

* Capacities given are for near-sea level installations.