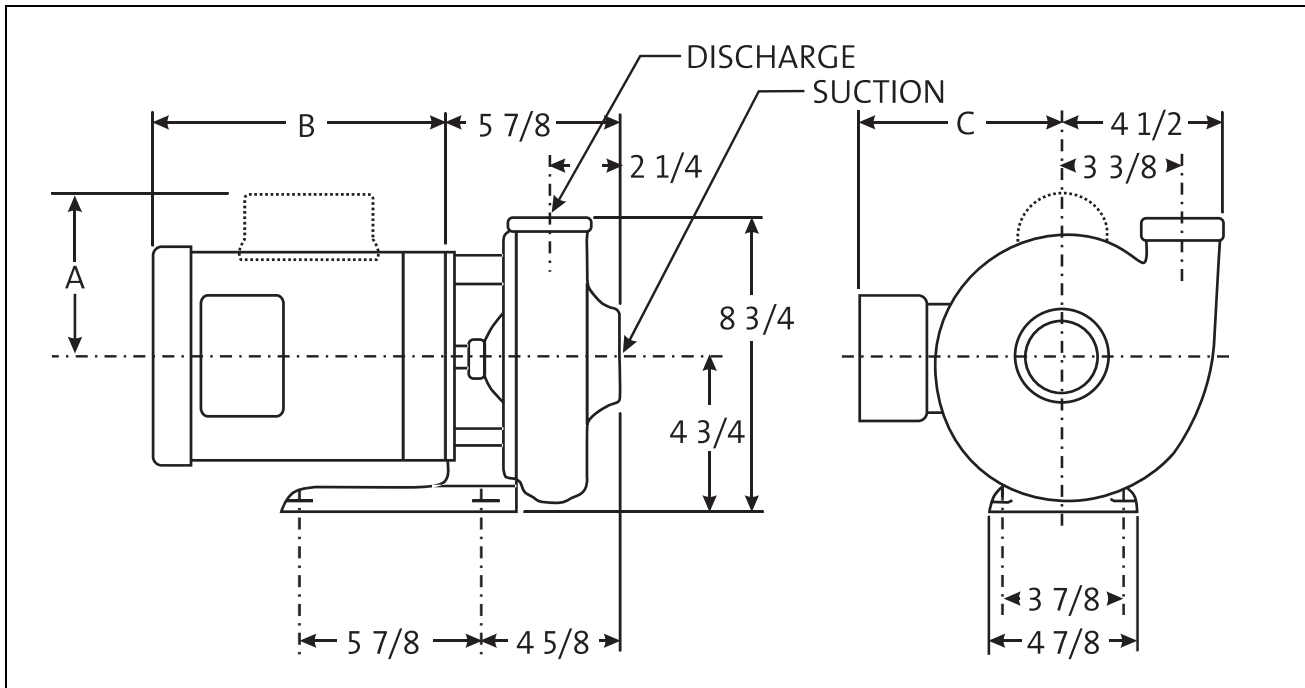


TK01 01.00 2903

Dimensional sketch, HS 100



Dimensions, HS 100

Pump type	HP	PH	NEMA Frame Size	Suc. Size [in]	Dis. Size [in]	Open drip proof (ODP) motor				Totally enclosed fan cooled (TEFC) motor				Ship vol. [ft ³]
						A [in]	B [in]	C [in]	Ship wt. [lbs]	A [in]	B [in]	C [in]	Ship wt. [lbs]	
HS 100 0505	1/2	1	56C	1 1/4	1	4 3/8	9 3/8	4 3/4	47	5	9 3/8	5	53	1.7
		3				-	9 1/4	4 3/8	50	-	9 3/8	5	47	1.7
HS 100 0707	3/4	1	56C	1 1/4	1	5	11	4 7/8	50	5 1/8	10	5	57	1.7
		3				-	9 1/2	4 3/8	51	-	9 3/8	5	50	1.7

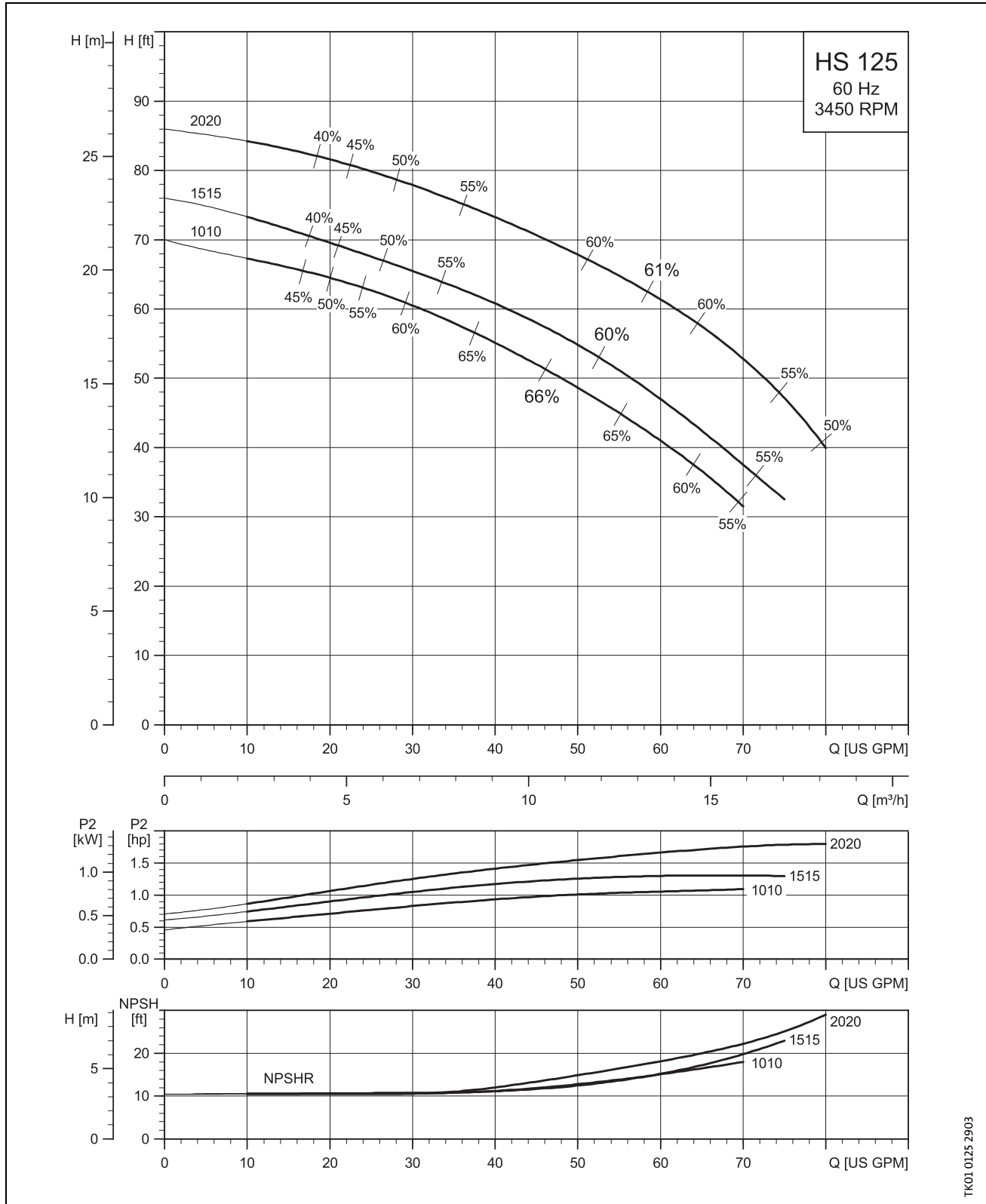
Electrical data, HS 100

Pump type	HP	PH	Voltage	Open drip proof (ODP) motor				Totally enclosed fan cooled (TEFC) motor			
				S.F.	Full load current [A]	S.F. current [A]	Start current [A]	S.F.	Full load current [A]	S.F. current [A]	Start current [A]
HS 100 0505	1/2	1	115/208-230*	1.25	7.2/4.0-3.6	8.0/4.4-4.0	30/16.6-15	1.6	7.4/4.1-3.7	9.8/5.2-4.9	39/21.6-19.5
		3	208-230/460	1.25	2.1-2.0/1.0	2.6-2.4/1.2	13.3-12/6.0	1.25	2.1-2.0/1.0	2.6-2.4/1.2	13.3-12/6.0
HS 100 0707	3/4	1	115/208-230*	1.25	9.6/5.3-4.8	11.4/6.3-5.7	56/31-28	1.25	9.6/4.8	11.4/5.7	56/28
		3	208-230/460	1.25	2.7-2.6/1.3	3.1-3.0/1.5	16.8-15.2/7.6	1.25	2.7-2.6/1.3	3.1-3.0/1.5	16.8-15.2/7.6

TEFC voltage is: *115/230

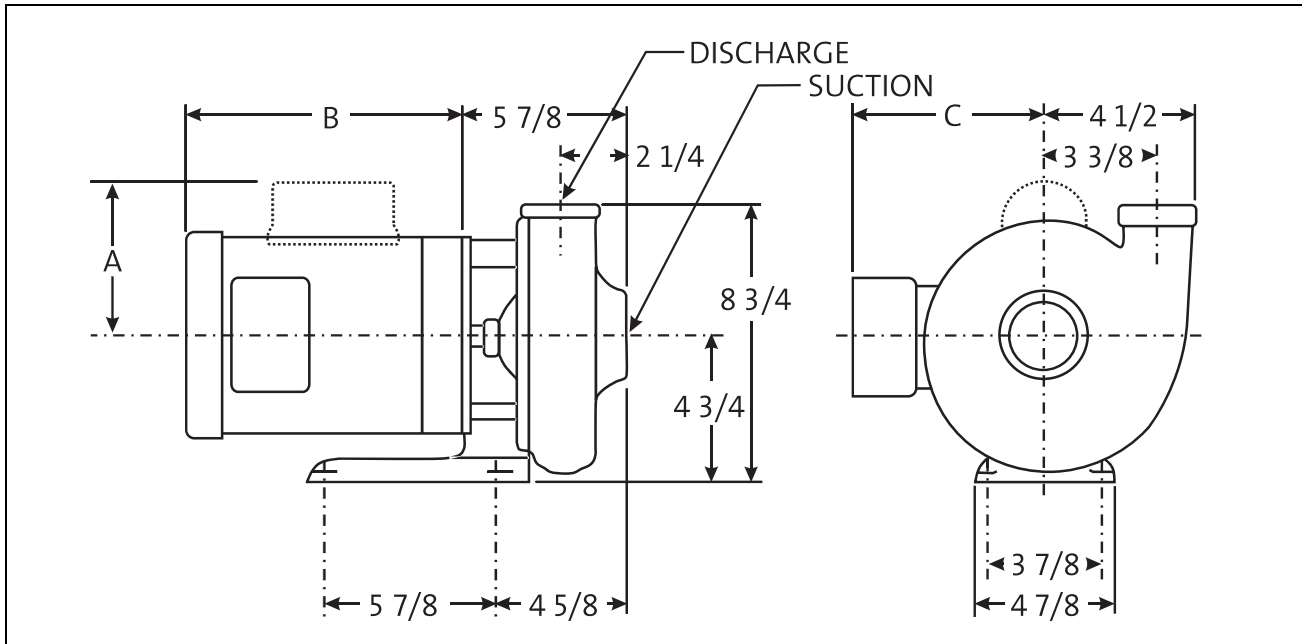
Performance curves

HS 125



TK01 0125 2903

Dimensional sketch, HS 125



Dimensions, HS 125

Pump type	HP	PH	NEMA Frame Size	Suc. Size [in]	Dis. Size [in]	Open drip proof (ODP) motor				Totally enclosed fan cooled (TEFC) motor				Ship vol. [ft ³]
						A [in]	B [in]	C [in]	Ship wt. [lbs]	A [in]	B [in]	C [in]	Ship wt. [lbs]	
HS 125 1010	1	1	56C	1 1/2	1 1/4	5 5/8	11 1/4	5 5/8	52	5 5/8	11 1/4	5 3/4	68	1.7
		3				-	9 1/2	5 5/8	51	-	10 1/4	5 3/4	50	1.7
HS 125 1515	1 1/2	1	56C	1 1/2	1 1/4	5 1/2	11 3/4	5 5/8	54	5 5/8	11 3/4	5 3/4	70	1.7
		3				-	10 3/4	5 5/8	55	-	10 3/4	5 3/4	57	1.7
HS 125 2020	2	1	56C	1 1/2	1 1/4	5 1/2	11 3/4	5 5/8	37	5 5/8	12 5/8	5 3/4	77	1.7
		3				-	10 3/4	5 5/8	66	-	11 3/4	5 3/4	66	1.7

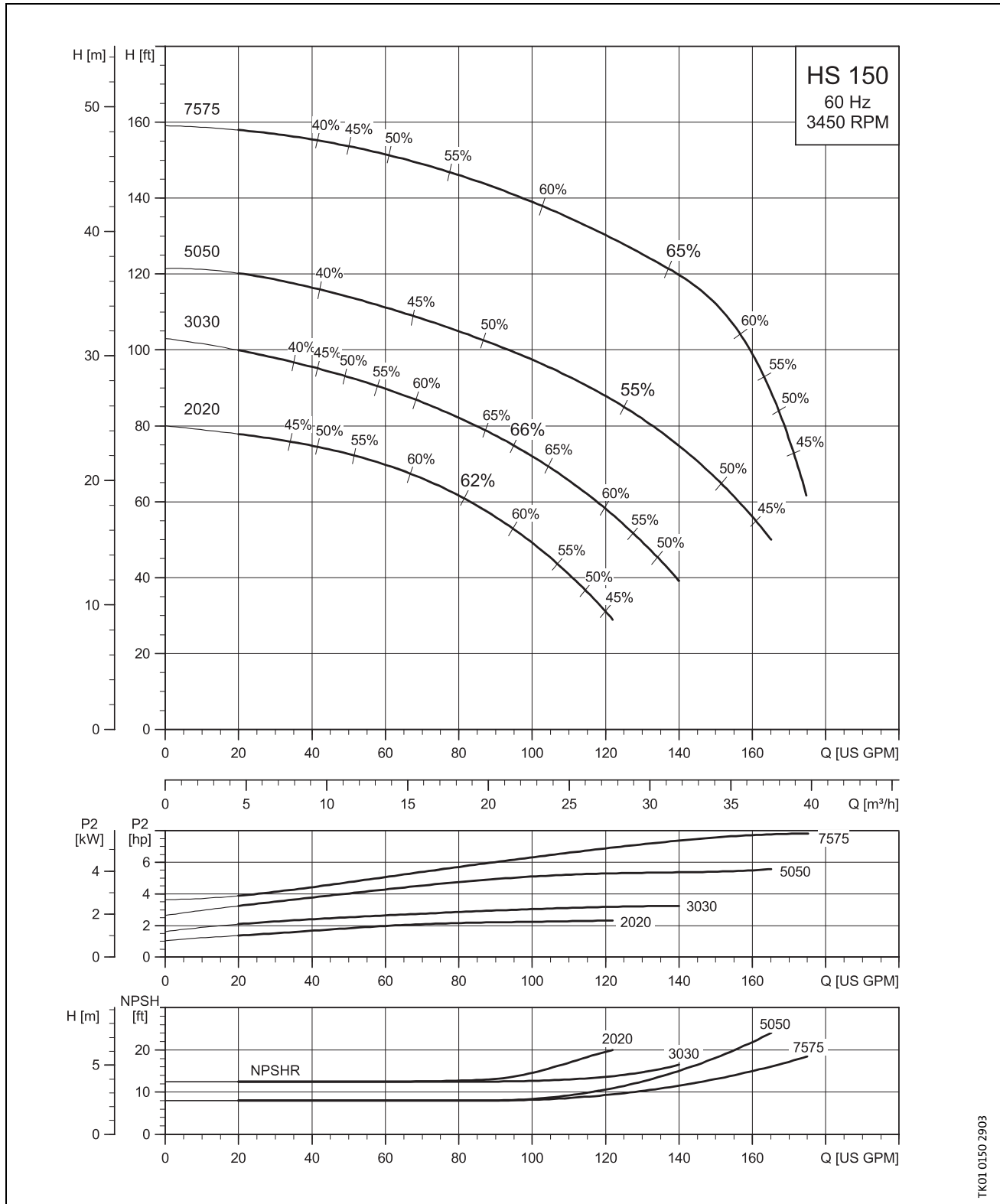
Electrical data, HS 125

Pump type	HP	PH	Voltage	Open drip proof (ODP) motor				Totally enclosed fan cooled (TEFC) motor			
				S.F.	Full load current [A]	S.F. current [A]	Start current [A]	S.F.	Full load current [A]	S.F. current [A]	Start current [A]
HS 125 1010	1	1	115/208-230	1.4	10/5.5-5.0	15/8.0-7.5	85/47-42.5	1.25	12/6.0	14.4/7.2	77/38.5
		3	208-230/460	1.25	3.4-3.2/1.6	3.8-3.6/1.8	19.5-17.6/8.9	1.25	3.4-3.2/1.6	3.8-3.6/1.8	19.7-17.8/8.9
HS 125 1515	1 1/2	1	115/208-230*	1.15	18/10-9	19.7/10.7-9.7	121/66.8-60.4	1.3	17/9.5-8.6	20.4/11.3-10.2	106/58.6-53
		3	208-230/460	1.15	5.0-4.6/2.3	5.4-5.0/2.5	35.4-32/16	1.15	5.0-4.6/2.3	5.4-5.2/2.6	35.4-32/16
HS 125 2020	2	1	115/208-230*	1.15	24/13.3-12	27.6/15.3-13.8	160/88.5-80	1.15	23/11.5	25.4/12.7	156/78
		3	208-230/460	1.15	5.9-5.6/2.8	6.7-6.4/3.2	40.9-37/18.5	1.15	5.7-5.4/2.7	6.5-6.2/3.1	38.7-35/17.5

TEFC voltage is: *115/230

Performance curves

HS 150



TK01.0150.2903