

CHI, CHIE

Multistage centrifugal pumps

Technical data

Flow, Q:	max. 70 gpm
Head, H:	max. 265 ft
Liquid temp.:	+5°F to +230°F*
Working press.:	max. 145 psi



Applications

The pumps are suitable for liquid transfer in:


- Water treatment
- Industrial washing and dishwashing machines
- Pressure boosting of process water
- Heating and cooling in industrial processes
- Air conditioning
- Airwashing, moisturization, humidification (softened water)
- Water supply and pressure boosting (potable water, also slightly chlorinated)

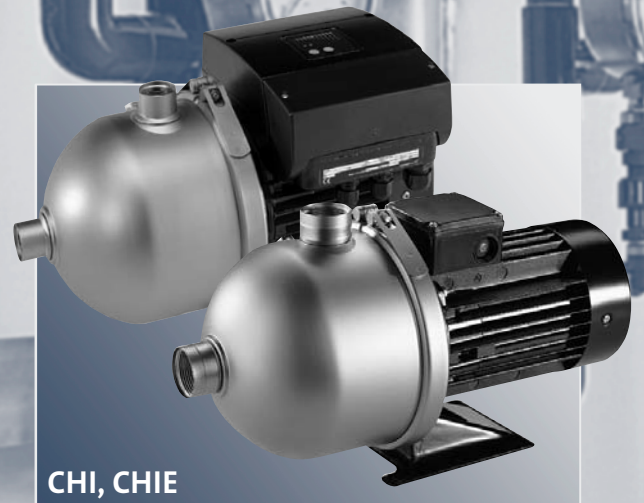
Features and benefits

- Compact design
- Wide range
- Suitable for slightly aggressive liquids
- Low noise
- Integrated variable frequency drive (CHIE only)

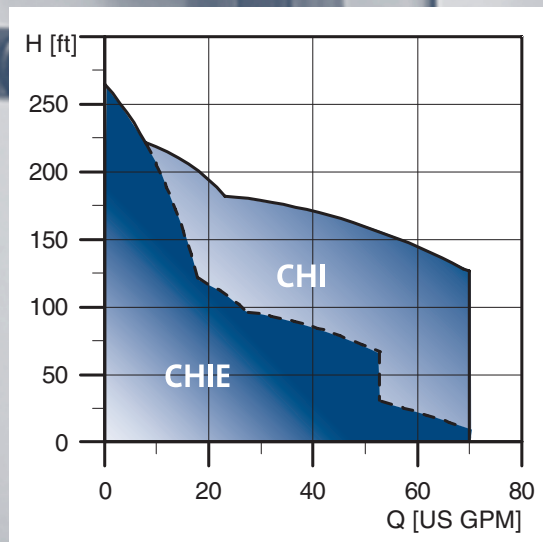


 on 1 x 115/230V (CHI)
 1 x 208-230V (CHIE)*
 3 x 208-230/460V (CHI)*

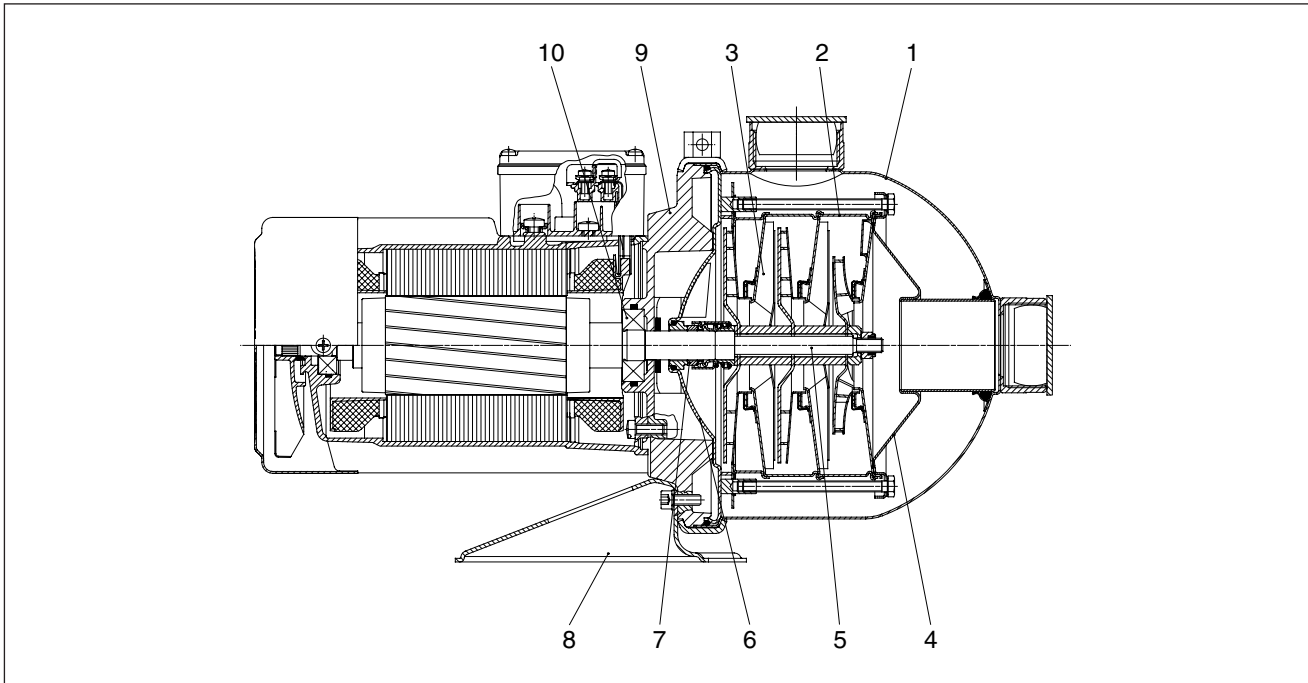

 on 3 x 575V (CHI)


 for CHIE 4-60
 CHI 12-20
 Max. liquid temp. 248°F



CHI, CHIE





Pos.	Description	Materials	AISI, ASTM
1	Pump Sleeve	Stainless steel	316
2	Intermediate chamber/ guide vanes	Stainless steel	316
3	Impeller	Stainless steel	316
4	Suction interconnector	Stainless steel	316
5	Spline shaft	Stainless steel	316
6	Cover plate	Stainless steel	316
7	Shaft seal faces	BQQE, BQQV, BUBE and BUBV	
8	Base plate	Painted steel plate	
9	Motor flange	Cast iron	
		Silumin	
10	Ball bearing		
	O-rings	EPDM or FKM	D1418

Connection	CHI 2	CHI 4	CHI 8	CHI 12
Axial suction port	1" NPT	1 1/4" NPT	1 1/2" NPT	1 1/2" NPT
Radial discharge port	1" NPT	1 1/4" NPT	1 1/2" NPT	1 1/2" NPT

L-CHI-PG-02	2/05
PRINTED IN USA	