

"QUALITY PUMPS SINCE 1939"

Product information presented here reflects conditions at time of publication. Consult factory regarding discrepancies or inconsistencies.

ZOELLER
PUMP CO.



SECTION: 3.10.012

FM2485

0108

Supersedes

New

MAIL TO: P.O. BOX 16347 • Louisville, KY 40256-0347
SHIP TO: 3649 Cane Run Road • Louisville, KY 40211-1961
(502) 778-2731 • 1 (800) 928-PUMP • FAX (502) 774-3624

visit our web site:
www.zoeller.com

PREASSEMBLED 24" x 24" SEWAGE SYSTEMS

Complete and Job-Ready for Fast Installation!

912 SEWAGE SYSTEMS INCLUDE:

- (1) 2" solids sewage ejector.
- (1) 24" x 24" poly molded basin.
- (1) PSF cover with 2V2D.
- Internal 2" PVC discharge pipe.

PUMP FEATURES:

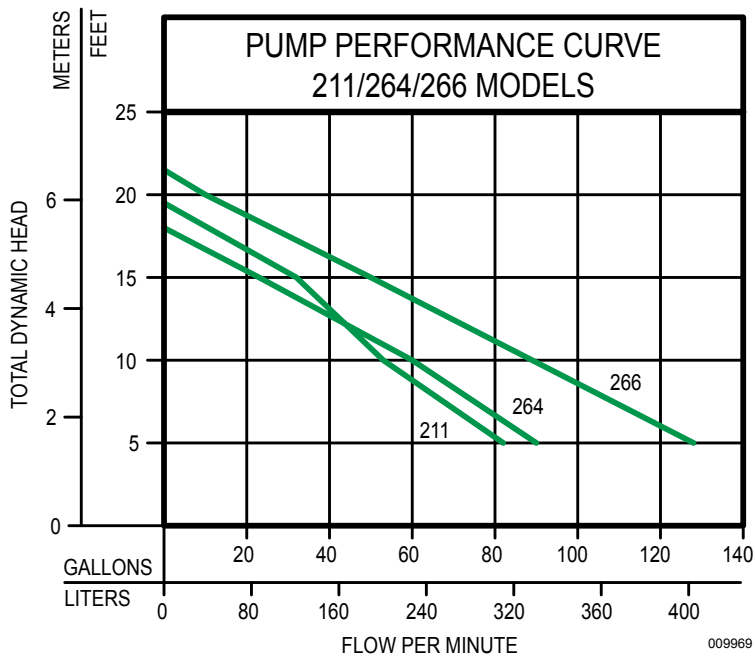
- Cast iron construction (264/266).
- Thermoplastic construction (211).
- Automatic or piggyback configuration available.
- Full 2" solids capacity.
- Thermal overload protection.
- Non-clogging vortex impeller.

BASIN FEATURES:

- 24" depth for easier installation in troublesome areas.
- 41 gallon capacity (exceeds 18 x 30).
- 25 gallon capacity below 4" inlet.
- Vertical support ribs help eliminate stuck float switches.
- Anti-flotation device helps to eliminate basin from "floating".
- 360° molded handle (acts as secondary AFD).
- (1) 4" pre-drilled inlet (flex-coupling provided by others).
- (7) additional flat areas for inlet installation (field drilled).
- Molded torque stops for added pump support.
- One-piece molded PSF cover with integrated molded foam seal.
- Ribbed reinforced cover to provide additional strength and stability.
- Threaded 2" vent and 2" discharge piping connections.
- Stainless steel cover bolts and hardware.
- High water alarm available on certain packages.
- Stackable for storage/shipping.

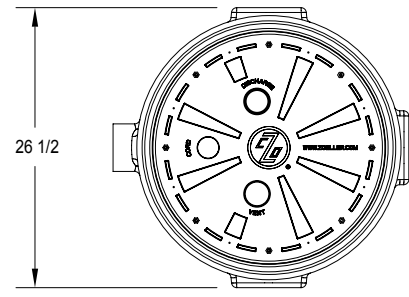


912-0116 Shown



TOTAL DYNAMIC HEAD/FLOW
PER MINUTE
SEWAGE AND DEWATERING

MODELS		211		264		266	
Feet	Meters	Gal.	Liters	Gal.	Liters	Gal.	Liters
5	1.5	82	310	90	341	128	484
10	3.1	53	201	60	227	89	337
15	4.6	32	121	23	87	50	189
20	6.1	-	-	-	-	10	38
Shut-off Head:		19.5 ft.(5.9m)		18 ft.(5.5m)		21.5 ft.(6.6m)	

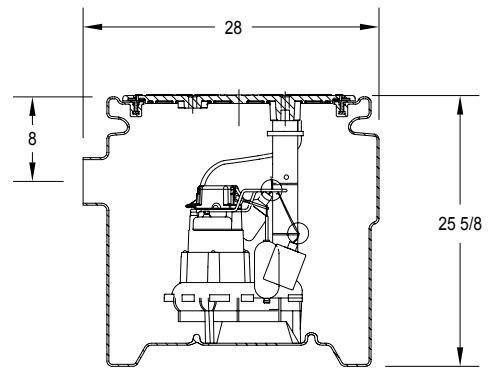


PUMP SPECIFICATIONS:

- 0.4 HP (211/264) or 1/2 HP (266) available.
- 115 Volts.
- 2" NPT discharge with 2" solids capacity.
- Refer to **FM1784 (211)**, **FM1495 (264)** or **FM0390 (266)** for additional specifications.

BASIN SPECIFICATIONS:

- Poly molded basin with PSF cover.
- 41 gallon capacity (25 gallons below inlet).
- (1) 4" inlet (predrilled, coupling by others).
- Integral foam seal.
- Stainless steel bolt kit.



SK2694

Part Number	Pump	Description	Weight (lbs)
912-0112	M211	Automatic 211 - Poly Molded Basin w/ 2V2D PSF Simplex Cover	50
912-1112	"	Automatic 211 - Poly Molded Basin w/ 2V2D PSF Simplex Cover includes (1) 10-1094 Indoor Alarm	54
912-0113	BN211	Piggyback Float 211 - Poly Molded Basin w/ 2V2D PSF Simplex Cover	50
912-1113	"	Piggyback Float 211 - Poly Molded Basin w/ 2V2D PSF Simplex Cover includes (1) 10-1094 Indoor Alarm	54
912-0114	M264	Automatic 264 - Poly Molded Basin w/ 2V2D PSF Simplex Cover	73
912-1114	"	Automatic 264 - Poly Molded Basin w/ 2V2D PSF Simplex Cover includes (1) 10-1094 Indoor Alarm	75
912-0115	BN264	Piggyback Float 264 - Poly Molded Basin w/ 2V2D PSF Simplex Cover	73
912-1115	"	Piggyback Float 264 - Poly Molded Basin w/ 2V2D PSF Simplex Cover includes (1) 10-1094 Indoor Alarm	75
912-0116	M266	Automatic 266 - Poly Molded Basin w/ 2V2D PSF Simplex Cover	76
912-1116	"	Automatic 266 - Poly Molded Basin w/ 2V2D PSF Simplex Cover includes (1) 10-1094 Indoor Alarm	78
912-0117	BN266	Piggyback Float 266 - Poly Molded Basin w/ 2V2D PSF Simplex Cover	76
912-1117	"	Piggyback Float 266 - Poly Molded Basin w/ 2V2D PSF Simplex Cover includes (1) 10-1094 Indoor Alarm	78

JOB READY FOR EASY INSTALLATION



WARNING TO REDUCE THE RISK OF ELECTRICAL SHOCK A PROPERLY GROUNDED RECEPTACLE OF GROUNDING TYPE SHALL BE INSTALLED AND PROTECTED BY A GROUND FAULT CIRCUIT INTERRUPTER (GFCI) IN ACCORDANCE WITH NATIONAL ELECTRICAL CODE AND LOCAL CODES. DO NOT REMOVE GROUND PIN FROM PLUG.

RESERVE POWERED DESIGN

For unusual conditions a reserve safety factor is engineered into the design of every Zoeller pump.