

"QUALITY PUMPS SINCE 1939"

SECTION:2.70.040

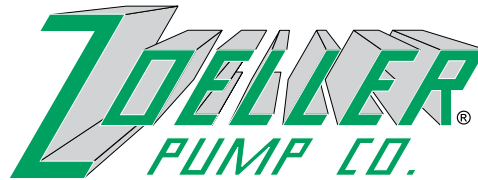
FM1734

1009

Supersedes

0708

Product information presented here reflects conditions at time of publication. Consult factory regarding discrepancies or inconsistencies.



MAIL TO: P.O. BOX 16347 • Louisville, KY 40256-0347
 SHIP TO: 3649 Cane Run Road • Louisville, KY 40211-1961
 (502) 778-2731 • 1 (800) 928-PUMP • FAX (502) 774-3624

visit our web site:
www.zoeller.com

Zoeller Company is proud to announce the addition of the End Suction Centrifugal Pump to its product line. The pump housing is made of a durable cast iron construction allowing for a variety of applications, such as pressure boosting, circulation, irrigation, water transfer, and lawn sprinkling. Quality features include a heavy duty motor ranging from 1/3 HP to 2 HP, a four position discharge and mechanical seal and the flexibility to install in either the vertical or horizontal direction. Versatile and compact to fit in tight places, the End Suction Pump is available in 115 and 230 volt single phase. This pump comes preassembled and ready for installation.

300-301-302-303-304-305
Cast Iron Series
"END SUCTION CENTRIFUGAL"
PUMP
 Nonsubmersible End suction Pump






 C US
 Tested to UL 778 &
 CSA 22.2 108 Standards



COMPARE THESE FEATURES

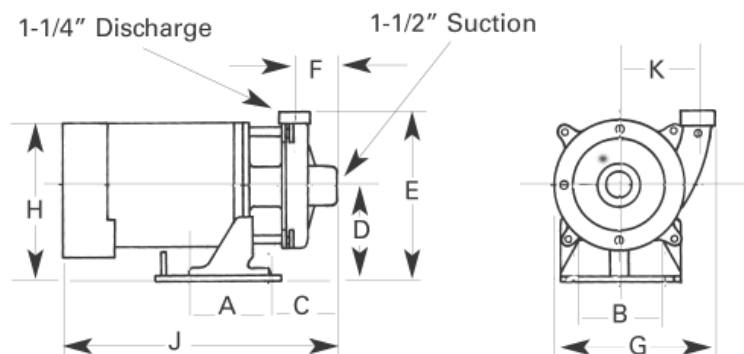
- Heavy duty motors.
- Drain plug
- Mechanical seal.
- Vertical or horizontal installation.
- Easily serviced.
- 1/3 HP thru 2 HP / 3450RPM.
- Suction port 1-1/2".
- Discharge 1-1/4".
- Cast iron construction.
- Motor CSA listed.
- No-lead brass impellers electronically balanced.

Pump Dimensions (In Inches)											
Model	HP	A	B	C	D	E	F	G	H	J	K
N300	1/3	4	4-5/8	3-11/16	4-13/16	9-3/16	2-1/8	8-1/4	8-1/8	13-1/4	3-7/8
NE301	1/2	4	4-5/8	3-11/16	4-13/16	9-3/16	2-1/8	8-1/4	8-1/8	13-1/2	3-7/8
NE302	3/4	4	4-5/8	3-11/16	4-13/16	9-3/16	2-1/8	8-1/4	8-1/8	14	3-7/8
NE303	1	4	4-5/8	3-11/16	4-13/16	9-3/16	2-1/8	8-1/4	8-1/8	14-1/2	3-7/8
NE304	1-1/2	4	4-5/8	3-11/16	4-13/16	9-3/16	2-1/8	8-1/4	8-1/8	15-1/8	3-7/8
NE305	2	4	4-5/8	3-11/16	4-13/16	9-3/16	2-1/8	8-1/4	8-1/8	15-5/8	3-7/8

NE model pumps can be field wired for 115V or 230V applications. Model N300 is available in 115V only.

APPLICATIONS

- Water Transfer.
- Pressure Boosting.
- Cooling Water.
- Irrigation.
- Dewatering.
- Circulation.
- Mixing Water.

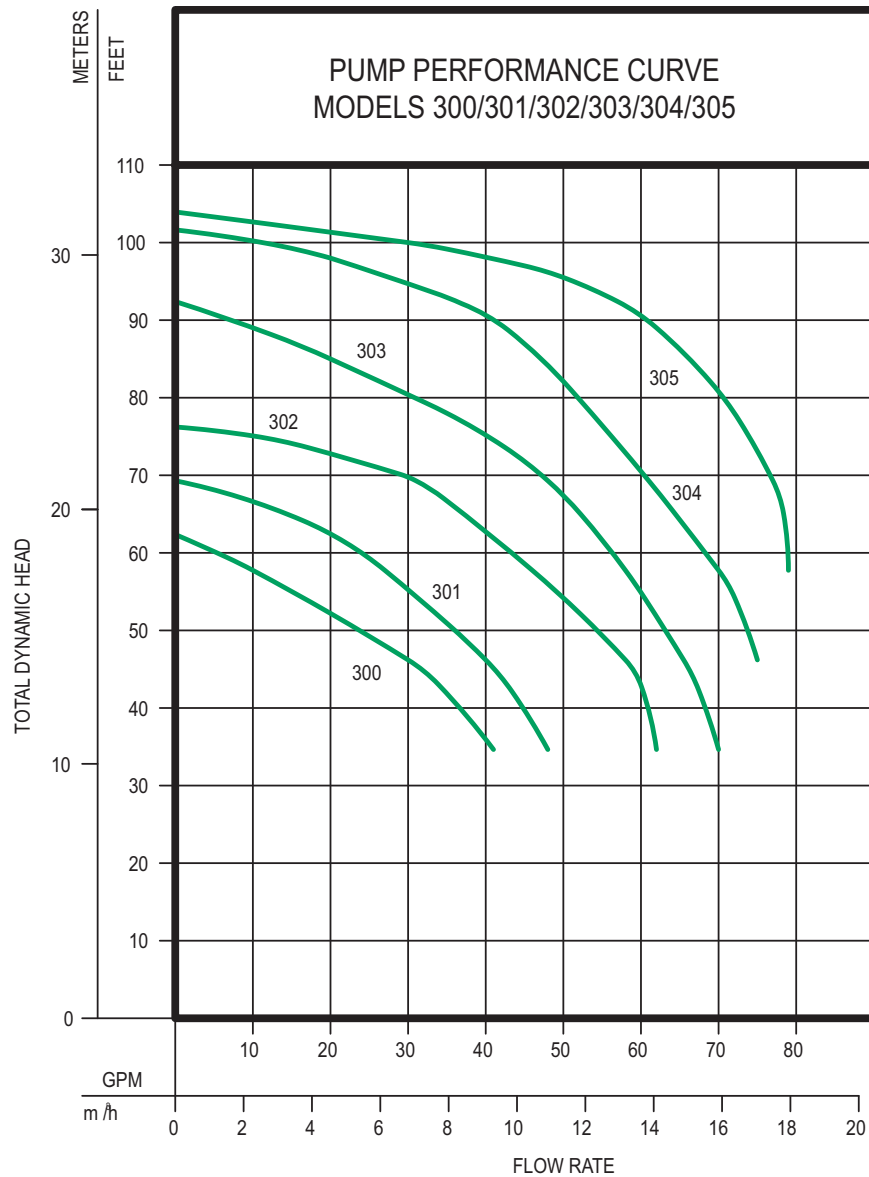


Part Number	HP	Stage	GPM at Total Pressure in PSI					▲Max Pressure PSI	=Max Pressure PSI	=Max Liquid Temperature
			15	20	25	30	40			
300-0006	1/3	1	41	30	10	—	—	27	100	200°F
301-0006	1/2	1	48	40	27	—	—	30	100	200°F
302-0006	3/4	1	62	58	46	31	—	33	100	200°F
303-0006	1	1	70	66	58	48	—	40	100	200°F
304-0006	1-1/2	1	*	75	70	61	36	44	100	200°F
305-0006	2	1	*	*	79	77	57	45	100	200°F

(▲) Shut-off. To convert to feet of head, multiply by 2.31.

(=) Do not exceed the maximum case pressure and maximum liquid temperature rating of the pump.

(*) Operation of pump in this range may result in reduced pump life and/or motor damage.



300_305percurve

RESERVE POWERED DESIGN

For unusual conditions a reserve safety factor is engineered into the design of every Zoeller pump.



www.zoeller.com

ZOELLER
PUMP CO.

MAIL TO: P.O. BOX 16347
Louisville, KY 40256-0347
SHIP TO: 3649 Cane Run Road
Louisville, KY 40211-1961
(502) 778-2731 • 1 (800) 928-PUMP
FAX (502) 774-3624

Manufacturers of..

"QUALITY PUMPS SINCE 1939"