

TECHNICAL INFORMATION

QWIK JON® SYSTEMS INCLUDE:

Sewage Pumps

MODEL 100	MODEL 101 (Preassembled)	Model 102
Pump: Model WM264	Model WM211	Model WM266
.4 HP 115V, 9.4 amps	.4 HP 115V, 5.5 amps	1/2 HP 115V, 10.4 amps
P.S.C. Motor	P.S.C. Motor	Split Phase Motor
UL Listed	cCSAus Certified	UL Listed

NOTE:

Sewage Pumps WM264, WM211 & WM266 are designed for use in Qwik Jon® units only.

They are not designed for use in any other application.

- Automatic level control switch
- Thermal overload protected motor
- Stainless steel screws, bolts & handle
- Non-clogging vortex impeller
- Passes 2" spherical solids
- UL Listed 3-wire neoprene 10 ft. cord & plug
- Maximum temperature models 100 & 102 - 130°F (54°C).
- Maximum temperature model 101 - 110°F (43°C).

Tank

MODEL 100/101/102 (Patented)

- Durable polyethylene tank
- Light gray finish
- Lightweight
- Weight: 27 lbs.

2" Back Flow Device and Union

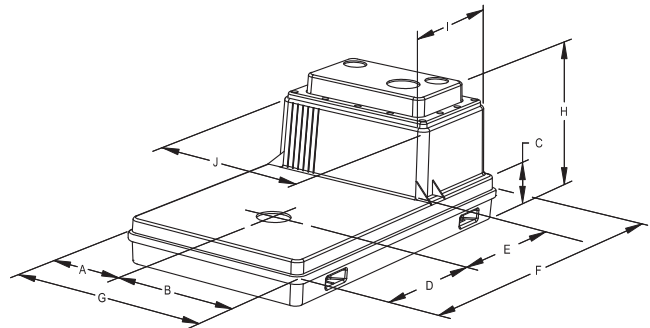
- 2" back-flow device (check local codes) required to prevent back-flow of water and sewer gas
- No threading of pipe required
- Fits ABS, PVC and steel pipe
- Weight: 2 lbs.

ALL IN ONE CARTON

- Tank, lid & gasket
- .4 HP or 1/2 HP sewage pump
- Back-flow device (check local codes)
- 2" Discharge & 3" Vent with adapt-a-flex seals
- 2" adapt-a-flex seal for additional fixtures
- Floor Flange Extender Kit for 1/2" & 5/8" thick floors
- Hardware pack
- Installation instructions
- Shipping weight:
100 System - 94 lbs.
101 (Preassembled) System - 67 lbs.
102 System - 96 lbs.

ITEMS NEEDED BY INSTALLER

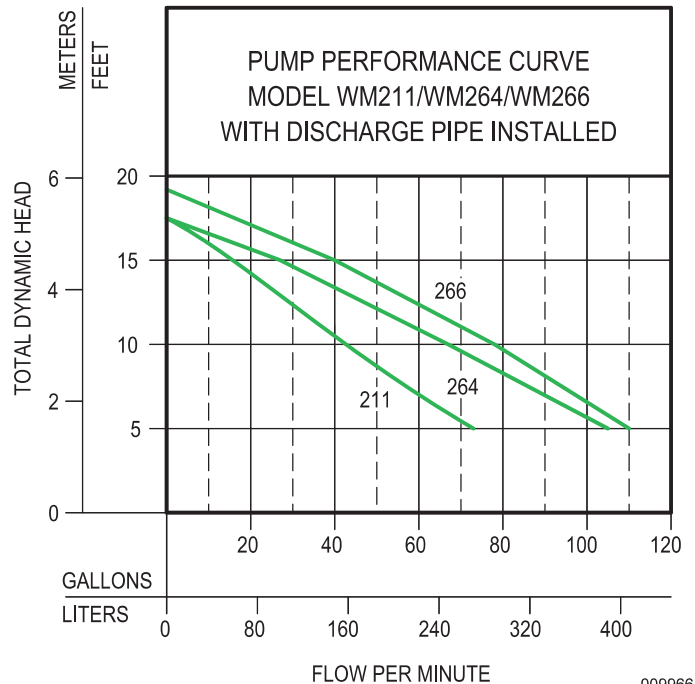
- Supply fittings & waste pipe
- Toilet fixture
- Electrical source with ground fault interrupter protected receptacle
- Water source
- Tools



DIMENSIONS A,B,D,F,& G ARE FROM THE WELD

SK1610

MODEL NO.	A	B	C	D	E
100/101/102	12 1/4	12 1/4	5 1/2	13 3/4	14 1/8
	F	G	H	I	J
100/101/102	42 3/16	24 1/2	17	13 1/2	20 1/2



009966

TOTAL DYNAMIC HEAD/FLOW PER MINUTE SEWAGE AND DEWATERING

MODEL		WM211 MODEL 101		WM264 MODEL 100		WM266 MODEL 102	
Feet	Meters	Gal.	Liters	Gal.	Liters	Gal.	Liters
5	1.5	73	276	105	397	110	416
10	3.0	39	148	67	254	78	295
15	4.6	19	72	27	102	40	151
Shut-off Head:		17.5 ft.(5.3m)		17.5 ft.(5.3m)		19.2 ft.(5.9m)	

009966

NOTE: Recommended for installations up to 13' (Models 100/101) and 16' (Model 102) total dynamic head. Consult factory if installation is above 15' vertical height in 2" pipe. Sewage Pumps WM266, WM264 and WM211 are designed for use in Qwik Jon® units only. They are not designed for use in any other application.

CAUTION

All installation of controls, protection devices and wiring should be done by a qualified licensed electrician. All electrical and safety codes should be followed including the most recent National Electric Code (NEC) and the Occupational Safety and Health Act (OSHA).