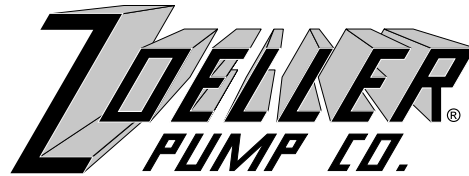


"QUALITY PUMPS SINCE 1939"



FM1469
1209
Supersedes
1007

Product information presented here reflects conditions at time of publication. Consult factory regarding discrepancies or inconsistencies.

MAIL TO: P.O. BOX 16347 • Louisville, KY 40256-0347
SHIP TO: 3649 Cane Run Road • Louisville, KY 40211-1961
(502) 778-2731 • 1 (800) 928-PUMP • FAX (502) 774-3624

visit our web site:
www.zoeller.com





**QWIK JON® 100/101/102 SYSTEMS
INSTALLATION INSTRUCTIONS**

MODEL NO. _____
DATE CODE: _____
DATE INSTALLED: _____

PREINSTALLATION CHECKLIST

Patent No. 5,038,418

1. Inspect all materials. Occasionally, products are damaged during shipment. If the unit is damaged, contact your dealer before using. **Do Not** remove the test plugs from the pump.
2. Carefully read all the literature provided to familiarize yourself with specific details regarding installation and use before attempting the installation. These materials should be retained for future reference.

 <div style="border: 1px solid black; padding: 5px; display: inline-block;">WARNING</div> SEE BELOW FOR LIST OF WARNINGS	 <div style="border: 1px solid black; padding: 5px; display: inline-block;">CAUTION</div> SEE BELOW FOR LIST OF CAUTIONS
---	--

1. **To help reduce the risk of electrical shock**, a properly grounded receptacle or control box of grounding type must be installed and protected by a ground fault circuit interrupter (GFCI) in accordance with the National Electrical Code and applicable local codes. **Never remove ground pin from plug.** If pump is wired direct, a GFCI must be installed in the control box. **(SEE WARNING BELOW)**
2. Make certain that the ground fault interrupter protected receptacle or control box is within reach of the pump's power supply cord. **DO NOT USE AN EXTENSION CORD.** Extension cords that are too long or too light do not deliver sufficient voltage to the pump motor. But more important, they could present a safety hazard if the insulation were to become damaged or the connection end were to fall into a damp or wet area.
3. **Make sure the pump's electrical supply circuit is equipped with fuses or circuit breakers of proper capacity.** A separate branch circuit, sized according to the National Electrical Code for the current shown on the pump name plate is recommended.
4. **TESTING FOR GROUND.** As a safety measure, each electrical outlet should be checked for ground using an Underwriters Laboratory Listed circuit analyzer which will indicate if the power, neutral and ground wires are correctly connected to your outlet. If they are not, call a qualified licensed electrician.
5. **FOR YOUR PROTECTION ALWAYS DISCONNECT PUMP FROM ITS POWER SOURCE BEFORE HANDLING. If pump is wired direct, de-energize the circuit at the control box.** Grounded pumps are supplied with a 3-prong grounded plug to help protect you against the possibility of electrical shock. **DO NOT UNDER ANY CIRCUMSTANCES REMOVE THE GROUND PIN.** To reduce the risk of electrical shock, a properly grounded receptacle or control box of grounding type must be installed and protected by a ground fault circuit interrupter (GFCI) in accordance with national electrical code and applicable local codes.
6. Installation and checking of electrical circuits and hardware should only be performed by a qualified licensed electrician.
7. According to the state of California (Prop 65), this product contains chemicals known to the state of California to cause cancer and birth defects or other reproductive harm.

1. Check to be sure your power source is adequate to handle the amperage requirements of the motor as indicated on the pump or unit I.D. tag.
2. All plumbing (discharge and vent lines) must be installed to meet local codes. **Unit must be vented. Do not use an automatic plumbing vent device. Toilet will not flush.**
3. Maximum continuous operating temperature for models 100 and 102 must not exceed 130°F (54°C). Maximum continuous operating temperature for model 101 must not exceed 110°F (43°C).



NOTES

 SEE BELOW FOR LIST OF NOTES

1. Repair and service should be performed by an Authorized Service Station only. (Consult factory.)
 2. NOTE: Recommended for installations up to 13' (Models 100/101) and 16' (Model 102) total dynamic head. Consult factory if installation is above 15' vertical height in 2" pipe. Sewage Pumps WM266, WM264 and WM211 are designed for use in Qwik Jon® units only. They are not designed for use in any other application.
 3. Do not use wax seal having flange that extends into tank; it may cause clogging. If a floor is installed over the tank, use a Zoeller designed floor flange extender seal kit (Included).
 4. For installation below the original floor line, consult Factory.
- NOTE: Pumps with the "UL" mark and pumps with the "US" mark are tested to UL Standard UL778. CSA Certified pumps are certified to CSA Standard C22.2 No. 108.

REFER TO WARRANTY ON PAGE 2.

P/N 010536

Limited Warranty

Manufacturer warrants, to the purchaser and subsequent owner during the warranty period, every new product to be free from defects in material and workmanship under normal use and service, when properly used and maintained, for a period of one year from date of purchase by the end user, or 18 months from date of original manufacture of the product, whichever comes first. Parts that fail within the warranty period, one year from date of purchase by the end user, or 18 months from the date of original manufacture of the product, whichever comes first, that inspections determine to be defective in material or workmanship, will be repaired, replaced or remanufactured at Manufacturer's option, provided however, that by so doing we will not be obligated to replace an entire assembly, the entire mechanism or the complete unit. No allowance will be made for shipping charges, damages, labor or other charges that may occur due to product failure, repair or replacement.

This warranty does not apply to and there shall be no warranty for any material or product that has been disassembled without prior approval of Manufacturer, subjected to misuse, misapplication, neglect, alteration, accident or act of God; that has not been installed, operated or maintained in accordance with Manufacturer's installation instructions; that has been exposed to outside substances including but not limited to the following: sand, gravel, cement, mud, tar, hydrocarbons, hydrocarbon derivatives (oil, gasoline, solvents, etc.), or other abrasive or corrosive substances, wash towels or feminine sanitary products,

etc. in all pumping applications. The warranty set out in the paragraph above is in lieu of all other warranties expressed or implied; and we do not authorize any representative or other person to assume for us any other liability in connection with our products.

Contact Manufacturer at, 3649 Cane Run Road, Louisville, Kentucky 40211, Attention: Customer Service Department to obtain any needed repair or replacement of part(s) or additional information pertaining to our warranty.

MANUFACTURER EXPRESSLY DISCLAIMS LIABILITY FOR SPECIAL, CONSEQUENTIAL OR INCIDENTAL DAMAGES OR BREACH OF EXPRESSED OR IMPLIED WARRANTY; AND ANY IMPLIED WARRANTY OF FITNESS FOR A PARTICULAR PURPOSE AND OF MERCHANTABILITY SHALL BE LIMITED TO THE DURATION OF THE EXPRESSED WARRANTY.

Some states do not allow limitations on the duration of an implied warranty, so the above limitation may not apply to you. Some states do not allow the exclusion or limitation of incidental or consequential damages, so the above limitation or exclusion may not apply to you.

This warranty gives you specific legal rights and you may also have other rights which vary from state to state.

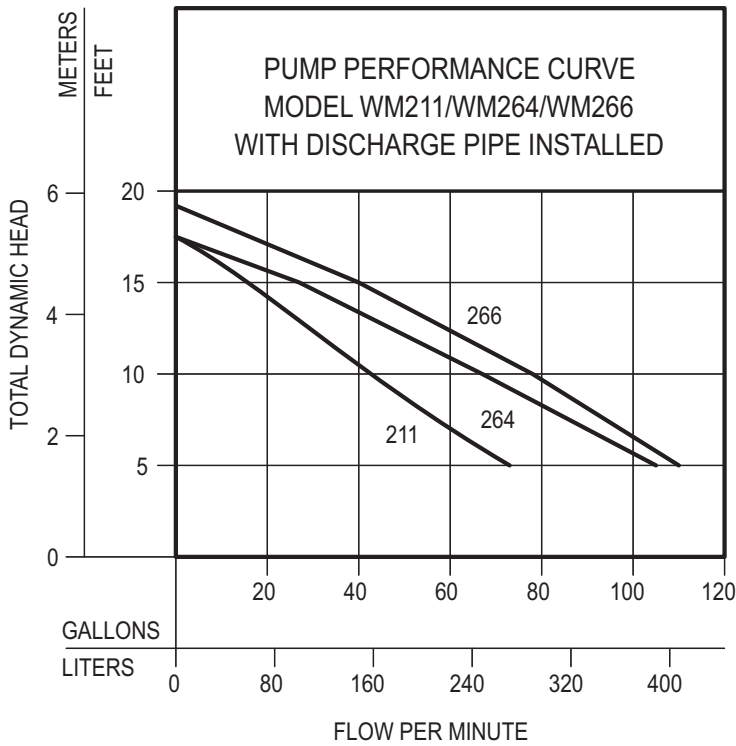
Ten Helpful Hints For Easy Installation

1. Read all instructions before beginning installation.
2. Be sure the installation has a minimum of 5 feet vertical head.
3. Be sure the floor is level within 1/8" for the length and width of the tank.
4. Install 2" discharge pipe seal with flange side of seal on inside of lid. See Figure 7.2 on page 6. (Models 100 & 102 only)
5. Use soapy water to lubricate all seals to aid installation.
6. Install rubber coupling/union in vent line to aid disassembly. See Figure 7.4 on page 6.
7. Test unit before mounting toilet. Check On/Off levels per step 6 of instructions.
8. Do not over torque toilet mounting screws.
9. Do not use an automatic plumbing vent device.
10. Obtain model number and date code, and record information in the space provided on the front of this manual. Refer to this information when calling factory.

Do's And Don't's For Installing A Unit

1. DO read all installation material with the pump and tank.
2. DO inspect unit for any visible damage caused by shipping. Contact dealer if unit appears to be damaged.
3. DO clean all visible debris from the tank.
4. DO always disconnect pump from power source before handling. DO always connect to a separately protected and properly grounded ground fault protected circuit. DO NOT ever cut, splice or damage power cord. DO NOT carry or lift pump by its power cord. DO NOT use an extension cord with a sewage pump.
5. DO install a check valve and a union in the discharge line. DO NOT use a discharge pipe smaller than the pump discharge size.
6. DO test pump immediately after installation to be sure that the system is working properly.
7. DO review all applicable local and national codes and verify that the installation conforms to each of them.
8. We DO NOT recommend this product be connected to utilities other than those found in a normal bathroom application. Washing machines and dishwashers are examples of equipment that we Do NOT recommend.

Performance Characteristics



TOTAL DYNAMIC HEAD/FLOW
PER MINUTE
SEWAGE AND DEWATERING

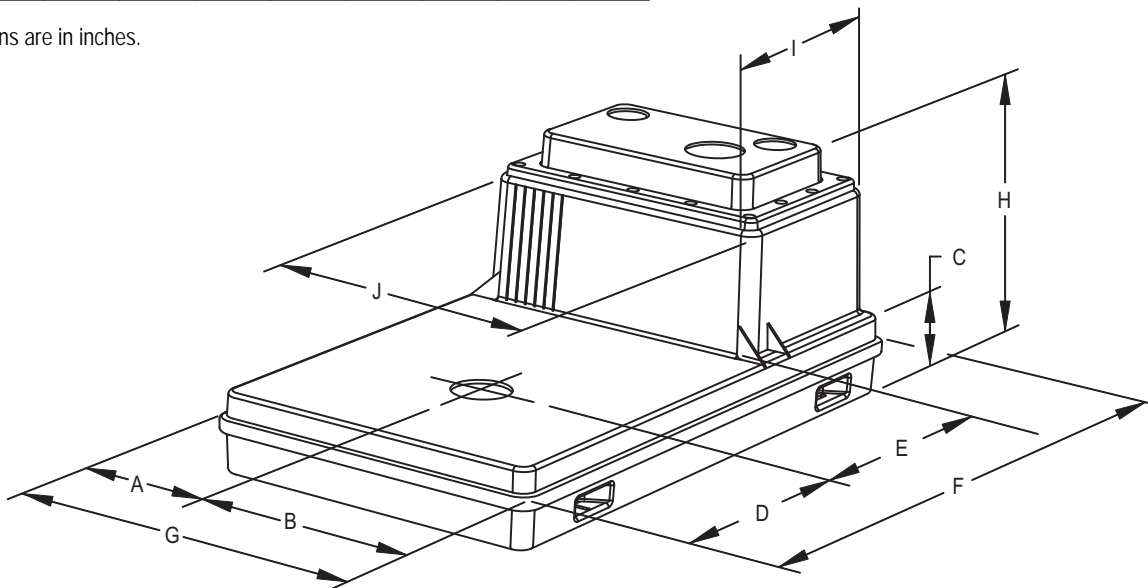
MODEL		WM211		WM264		WM266	
		MODEL 101		MODEL 100		MODEL 102	
Feet	Meters	Gal.	Liters	Gal.	Liters	Gal.	Liters
5	1.5	73	276	105	397	110	416
10	3.0	39	148	67	254	78	295
15	4.6	19	72	27	102	40	151
Shut-off Head:		17.5 ft.(5.3m)		17.5 ft.(5.3m)		19.2 ft.(5.9m)	

009966

Dimensional Data

A	B	C	D	E	F	G	H	I	J
12 $\frac{1}{4}$	12 $\frac{1}{4}$	5 $\frac{1}{2}$	13 $\frac{1}{4}$	14 $\frac{1}{8}$	42 $\frac{3}{16}$	24 $\frac{1}{2}$	17	13 $\frac{1}{2}$	20 $\frac{1}{2}$

All dimensions are in inches.



DIMENSIONS A,B,D,F,& G ARE FROM THE WELD

SK1610

STEP 1

Location Selection and Leveling of Tank

NOTE: If a built in installation is to be used, locate pump chamber in an area that will allow access to the pump & switch.

- 1.1) Select a location which is readily accessible to the existing discharge and vent lines.
- 1.2) Level tank to within $\frac{1}{8}$ " for length and width. Use hydraulic cement or similar material for leveling. Refer to Figure 1.1.

CAUTION Do not use wooden shims to level tank!

CAUTION Ensure that nails, screws or other sharp objects do not puncture tank!

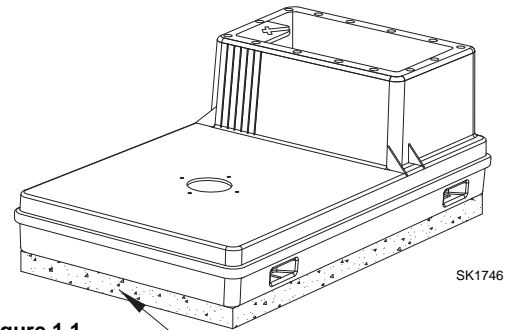


Figure 1.1

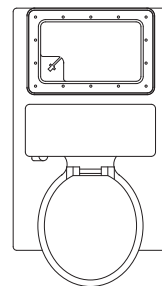
LEVEL WITH
HYDRAULIC CEMENT
OR SIMILAR MATERIAL

STEP 2

Orientation of Toilet on Tank

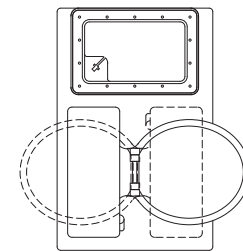
- 2.1) Determine the orientation of toilet on tank. This determines the location of the long bolts in STEP 3 of the installation. Refer to Figure 2.1 or Figure 2.2.

NOTE: Model 101 comes preassembled in the forward installation position. If a side installation is desired, bolts must first be removed and then reinstalled per STEP 3. Also, if subflooring is being installed, the 2" bolts must be removed and replaced with 3" bolts per STEP 3.



Forward Installation
Figure 2.1

OR



Side Installation
Figure 2.2

SK1747

STEP 3

Installation of the Cast Iron Support

Model 101: If the bolts are correct for your desired installation, skip to STEP 6.

NOTE: If subflooring is being installed over the tank, use the $\frac{1}{4}$ " - 20 X 3" long bolts supplied with the floor flange extender kit, otherwise use the $\frac{1}{4}$ " - 20 X 2" long bolts. The longer bolts account for the thickness of the subflooring when mounting toilet.

- 3.1) Drill the 4 preselected holes, located around the toilet opening, with a $\frac{9}{32}$ " drill bit. (Models 100 & 102 only)
- 3.2) Modify the 4 foam gaskets, supplied with the wax ring kit, as shown in Detail "A". (Models 100 & 102 only)
- 3.3) Install the cast iron plate inside the tank through the pump chamber with the flat side up. Rotate the plate to rest on tank supports. (Models 100 & 102 only)
- 3.4) Make certain that the 2" or 3" long toilet mounting bolts are in the correct locations to accept the toilet as determined in STEP 2. Torque screws to 25-30 in-lbs.

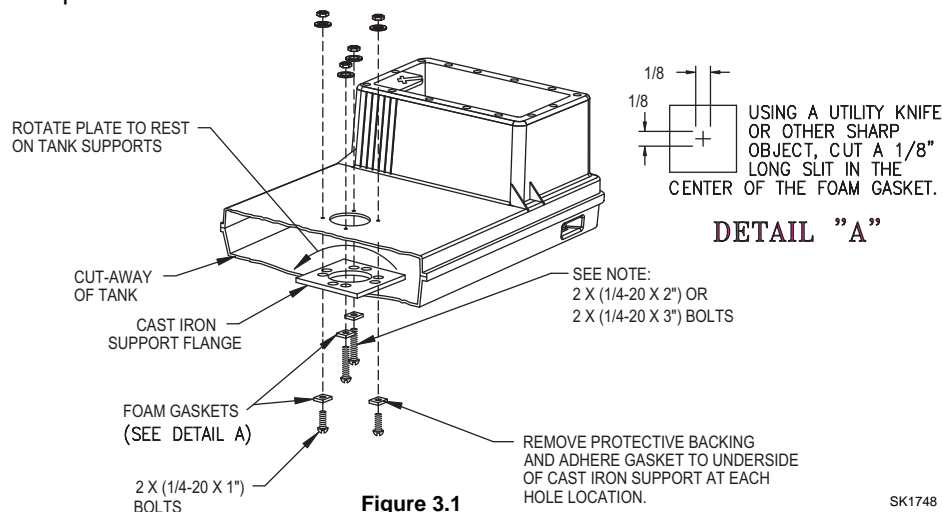


Figure 3.1

SK1748

STEP 4

Assembly of the Float Switch (Models 100 & 102 Only)

- 4.1) Assemble float switch components as shown in Figure 4.1 & 4.2.
- 4.2) Slide float stop down to 1 inch above float.

NOTE: a) Setting float control to come on sooner will increase the delay between when the pump starts and when it begins delivering water.

b) If adjustment is necessary, move the float stops up or down along the float rod. Ensure that the pump turns on at a maximum of 4½”.

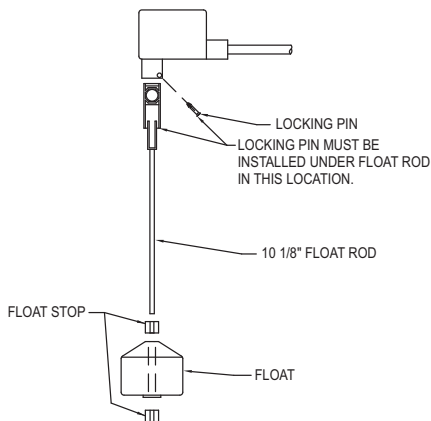
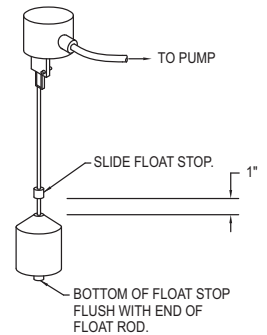


Figure 4.1



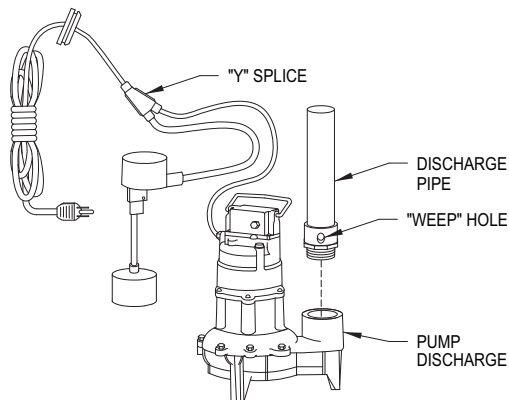
SK1749

Figure 4.2

STEP 5

Installation of Pump & Float Switch Assembly into Tank (Models 100 & 102 Only)

- 5.1) Install the discharge pipe onto the pump as shown in Figure 5.1.
- 5.2) Place the pump into the tank as shown in Figure 5.2.
- 5.3) Mount the float switch as shown on Detail "A".



Model 100 Pump Shown
Figure 5.1

SK1750

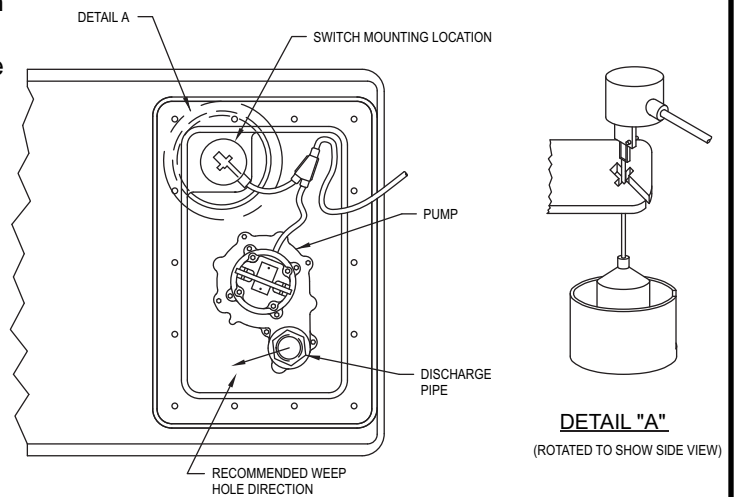


Figure 5.2

SK1751

Note: Float switch will be "loose" until lid is installed.
Note: Model 102 does not have a "Y" splice.

STEP 6

Testing Of Pump Operation

NOTE: Measure water level at float switch on Models 100 & 102 for best accuracy. Model 101 has been preset but should also be checked per instructions below.

- 6.1) With the lid removed, temporarily connect the pump discharge pipe to the house drain pipe. **Model 101 can be checked through the toilet inlet to avoid removal of the preassembled lid.**
- 6.2) Plug in pump.
- 6.3) Fill the tank with 4" of water as shown in Figure 6.1. The pump should not turn "ON"!
- 6.4) Fill the tank with an additional ½" of water. The pump should turn "ON" before the water level reaches 4½". Refer to the Troubleshooting Guide, on page 11, for problem diagnosis.
- 6.5) Unplug pump and disconnect discharge piping and continue to STEP 7.

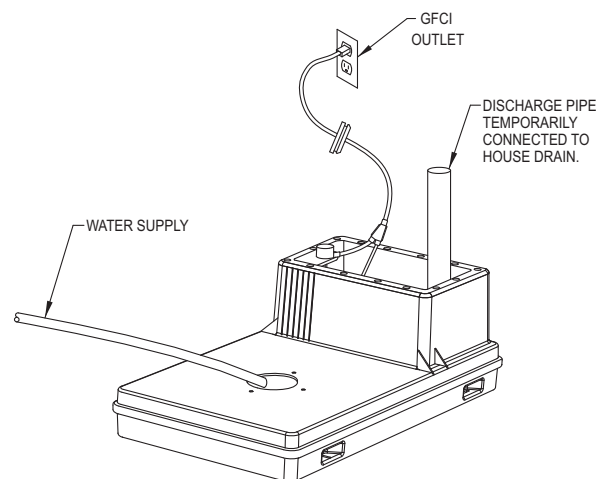


Figure 6.1

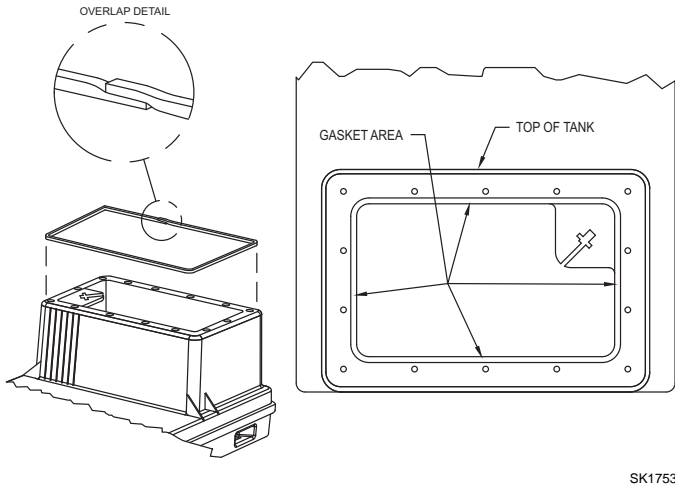
SK1752

STEP 7

Installation of Lid and Associated Plumbing

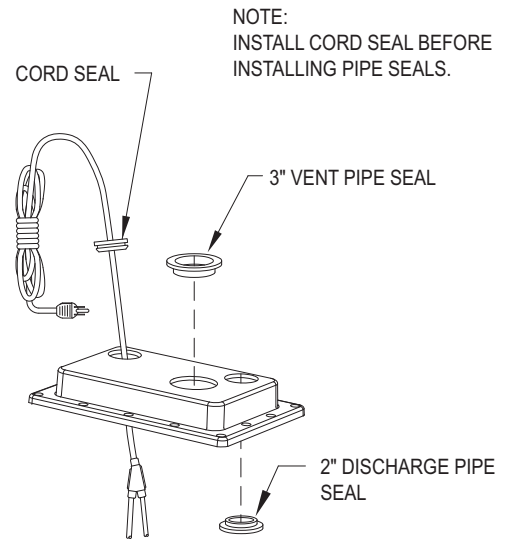
NOTE: STEPS 7.1 - 7.3 are for Models 100 & 102 only. For Model 101, skip to 7.4.

- 7.1) Apply foam gasket material to flange of pump chamber, leaving an overlap of gasket material as shown in Figure 7.1.
- 7.2) Install the Lid components as shown in Figure 7.2.
- 7.3) Install the Lid onto the pump chamber as shown in Figure 7.3.
- 7.4) Complete installation as shown in Figure 7.4.



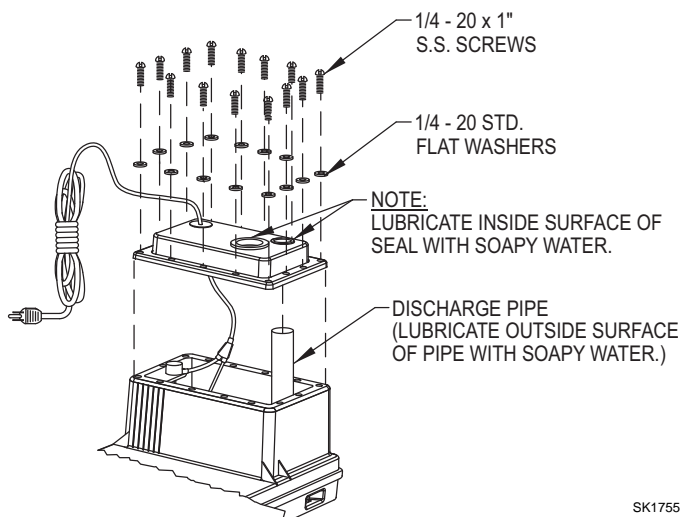
SK1753

Figure 7.1



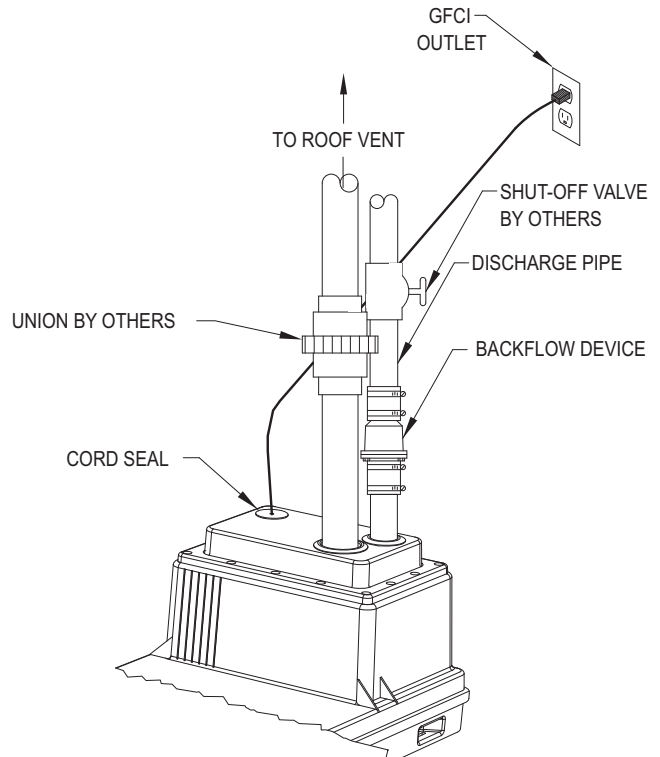
SK1754

Figure 7.2



SK1755

Figure 7.3



SK1756

Figure 7.4

STEP 8

Installation of Toilet

NOTE: Only use the Wax Seal provided with the Floor Flange Extender Kit.

8.1) Free standing Installation (No subflooring)

- 1) Only 1 wax toilet bowl gasket required.
- 2) Install wax toilet bowl gasket, and toilet as described on the back of the gasket carton.
- 3) Hook up water line to toilet, fill tank, and test unit.

8.2) Installation of Toilet with $\frac{1}{2}$ " or $\frac{3}{4}$ " (Use Floor Flange Extender Kit) Subflooring

- 1) Both wax toilet bowl gaskets are required.
- 2) Cut a $6\frac{1}{2}$ " diameter hole in the subfloor centered on the tank opening.
- 3) Firmly press one of the wax toilet bowl gaskets into the plastic locator ring.
- 4) Place plastic locator ring on tank and firmly press into place until wax has completely filled the ring. This can be checked through the 4 air holes on the locator ring.
- 5) To complete installation, refer to the back of the toilet gasket carton for directions.
- 6) Hook up water line to toilet, fill tank, and test unit.

STEP 9

Installation of Additional Fixtures

- 9.1) In order to add fixtures, a 3" diameter hole must be drilled into the side of the pump chamber using the spotting template located on page 11.
- 9.2) Figure 9.1 shows the location on the pump chamber which can be used for adding additional fixtures.
▲ CAUTION Do not plumb into the vertical ribs located on the front left corner of the pump chamber.
- 9.3) Affix the spotting template on the desired location and center the punch hole center. Use a 3" diameter hole saw to drill through pump chamber. **NOTE: Model 101 is preassembled. Use caution when drilling into tank. Be sure to remove drilled plastic material from tank.**
- 9.4) Insert a 2" rubber pipe seal (included) into the 3" hole and lubricate the inside diameter with soapy water to allow for ease of pipe insertion.
- 9.5) Insert pipe through seal approximately $\frac{3}{4}$ " into tank.
- 9.6) Refer to Figures 9.2 - 9.5 for Typical installation of Tubs & Lavatories.

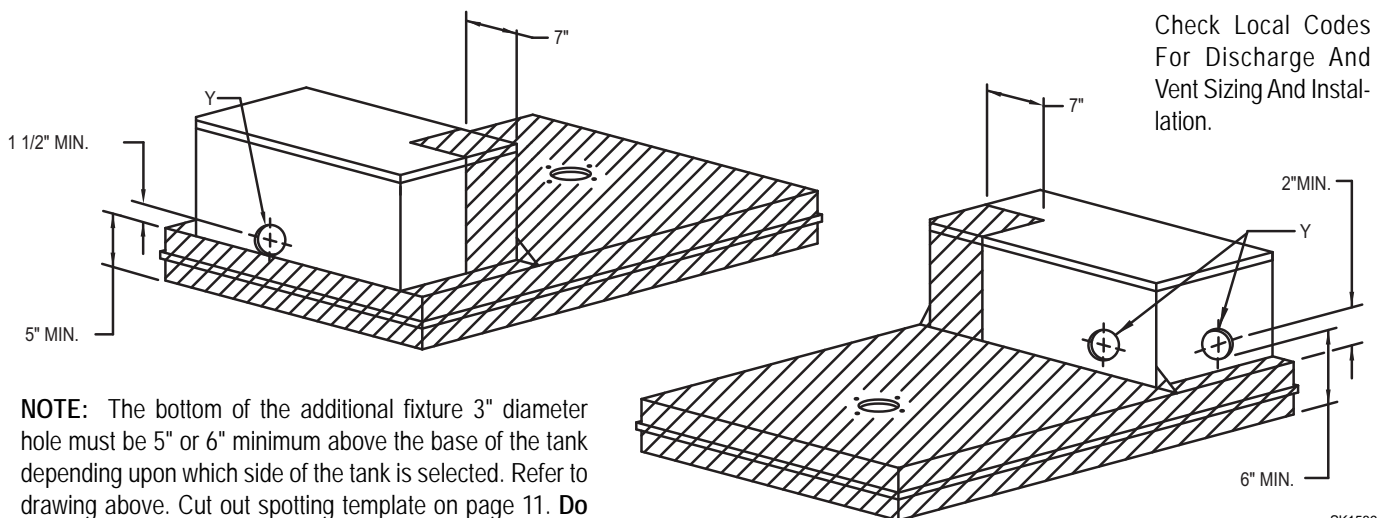
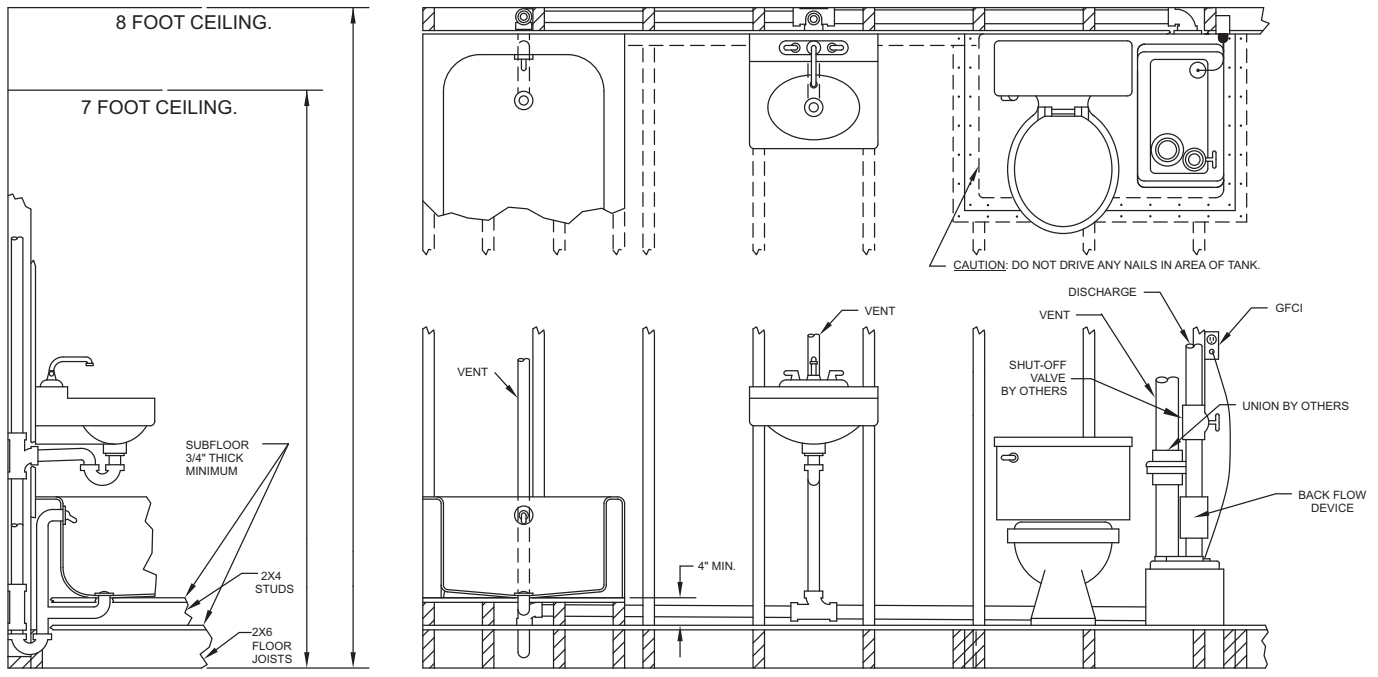


Figure 9.1

STEP 9

Installation of Additional Fixtures (continued)

TYPICAL INSTALLATION WITH RAISED TUB, LAVATORY, VENT & DISCHARGE

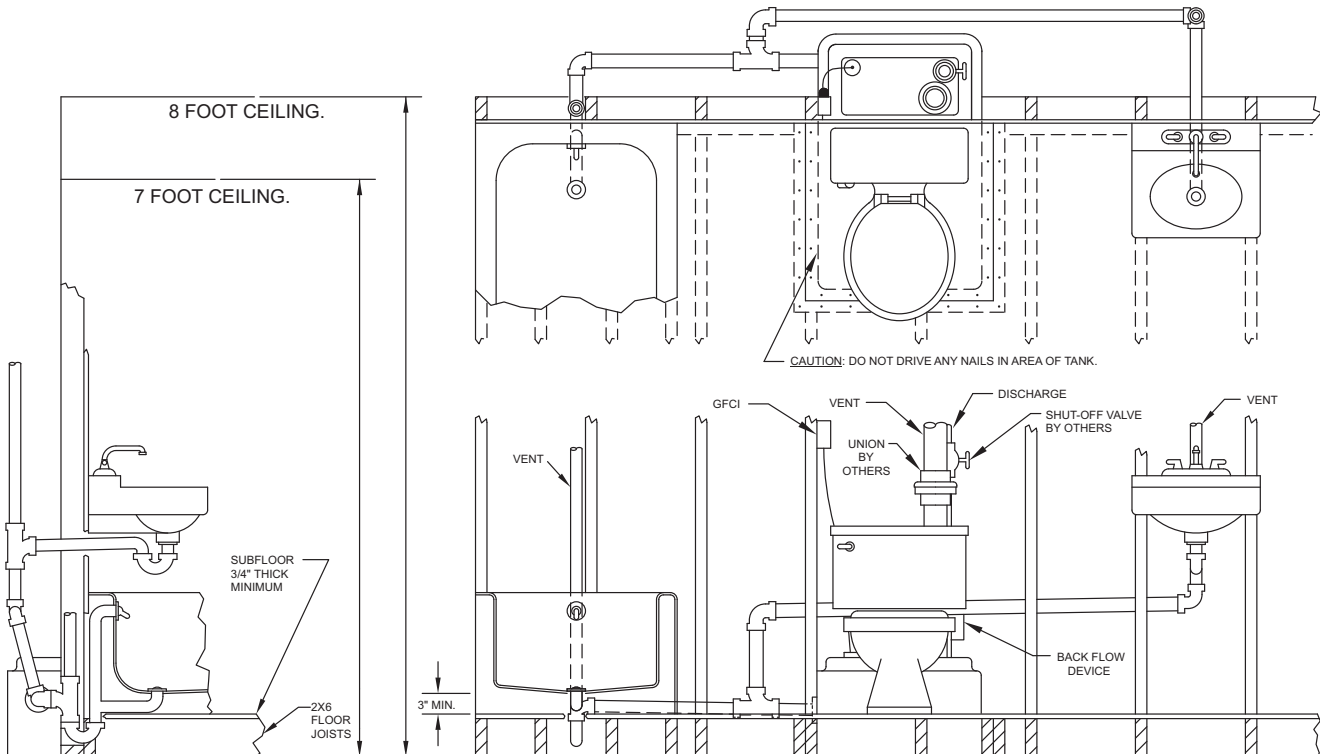


NOTE: 1) ALL VENTS AND DISCHARGE PIPING MUST BE INSTALLED ACCORDING TO LOCAL CODES.
 2) WALL BOARD REMOVED FOR CLARITY TO SHOW PIPING.
 3) TO INSTALL A SHOWER IN PLACE OF A TUB, RAISE THE SHOWER STALL TO PROVIDE A GRAVITY DRAIN TO THE SYSTEM TANK AND CONNECT AS SHOWN IN THE DIAGRAM ABOVE.

SK1615

Figure 9.2

ALTERNATE INSTALLATION WITH SPECIAL FLOOR MOUNTED RAISED BOTTOM TUB, LAVATORY, VENT & DISCHARGE



NOTE: 1) ALL VENTS AND DISCHARGE PIPING MUST BE INSTALLED ACCORDING TO LOCAL CODES.
 2) WALL BOARD REMOVED FOR CLARITY TO SHOW PIPING.
 3) TO INSTALL A SHOWER IN PLACE OF A TUB, RAISE THE SHOWER STALL TO PROVIDE A GRAVITY DRAIN TO THE SYSTEM TANK AND CONNECT AS SHOWN IN THE DIAGRAM ABOVE.

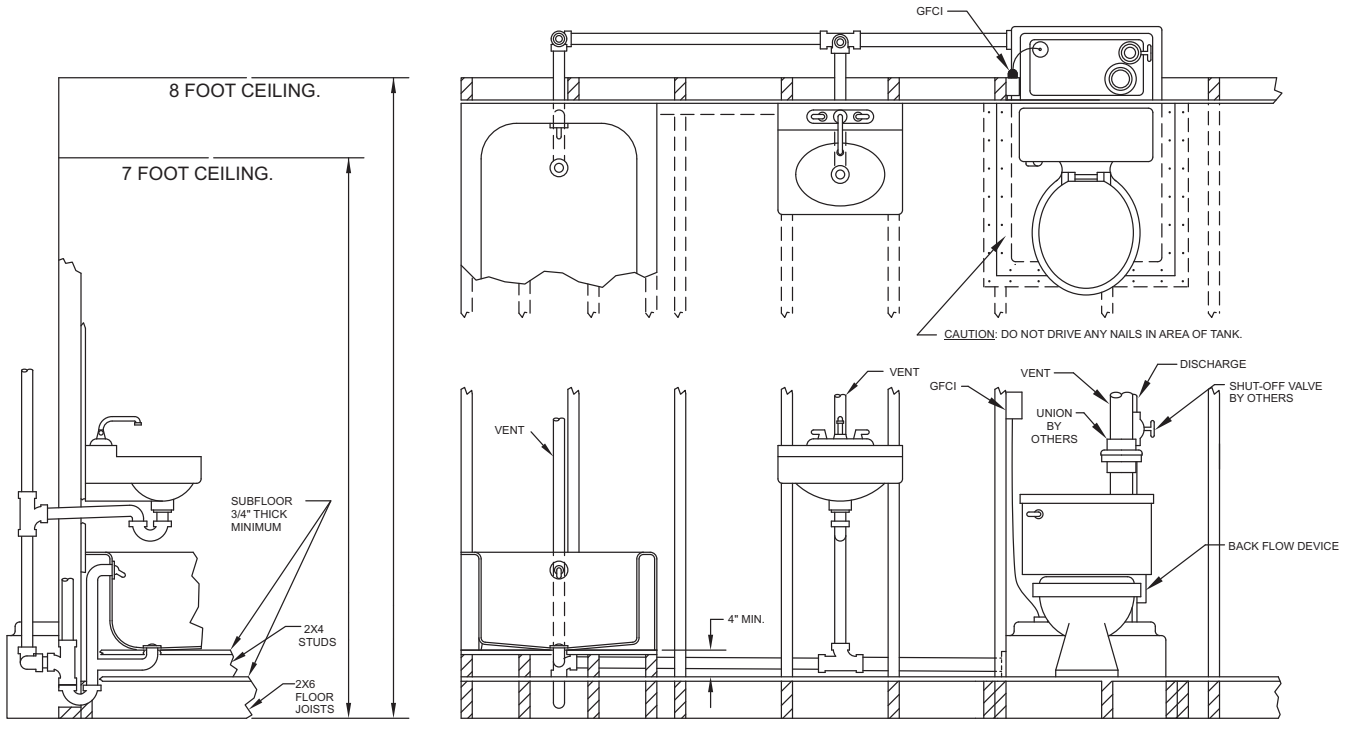
SK1616

Figure 9.3

STEP 9

Installation of Additional Fixtures (continued)

ALTERNATE INSTALLATION WITH RAISED TUB, LAVATORY, VENT & DISCHARGE

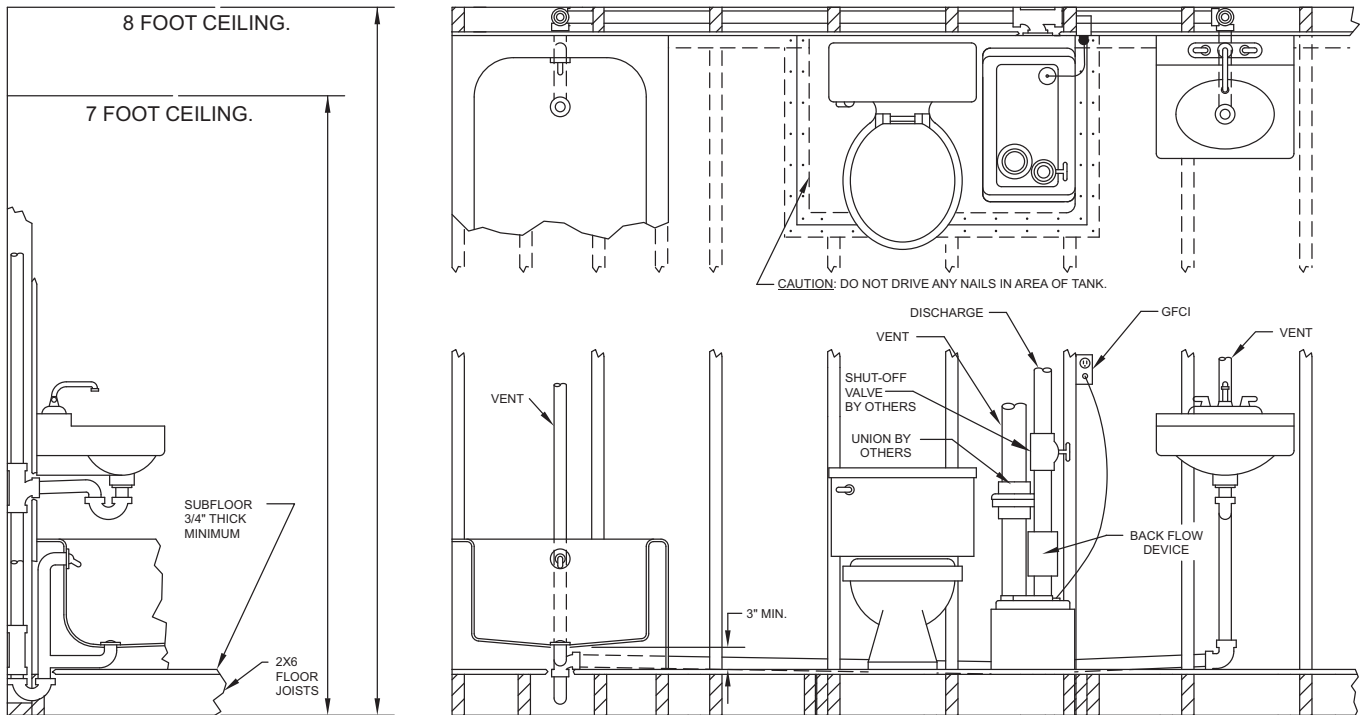


NOTE: 1) ALL VENTS AND DISCHARGE PIPING MUST BE INSTALLED ACCORDING TO LOCAL CODES.
 2) WALL BOARD REMOVED FOR CLARITY TO SHOW PIPING.

Figure 9.4

SK1617

ALTERNATE INSTALLATION WITH SPECIAL FLOOR MOUNTED RAISED BOTTOM TUB, LAVATORY, VENT & DISCHARGE

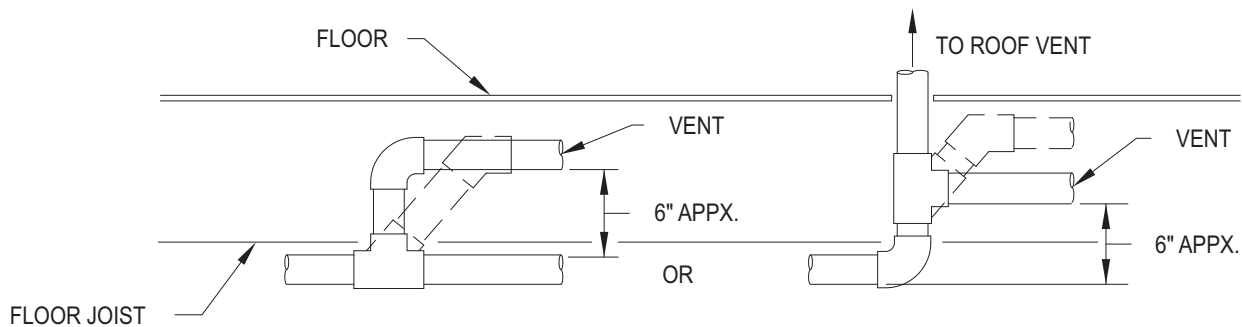


NOTE: 1) ALL VENTS AND DISCHARGE PIPING MUST BE INSTALLED ACCORDING TO LOCAL CODES.
 2) WALL BOARD REMOVED FOR CLARITY TO SHOW PIPING.

Figure 9.5

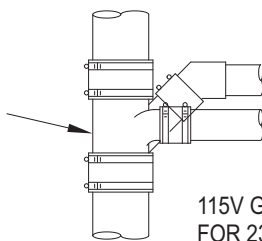
SK1618

Typical Piping Configurations



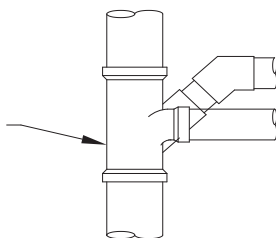
NOTE: ALL VENTS AND DISCHARGE PIPING MUST BE INSTALLED ACCORDING TO LOCAL CODES. 5' VERTICAL ELEVATION REQUIRED ON DISCHARGE PIPE.

3" (4") x2" Y OR TEE CAST IRON W/NO HUB CONNECTORS

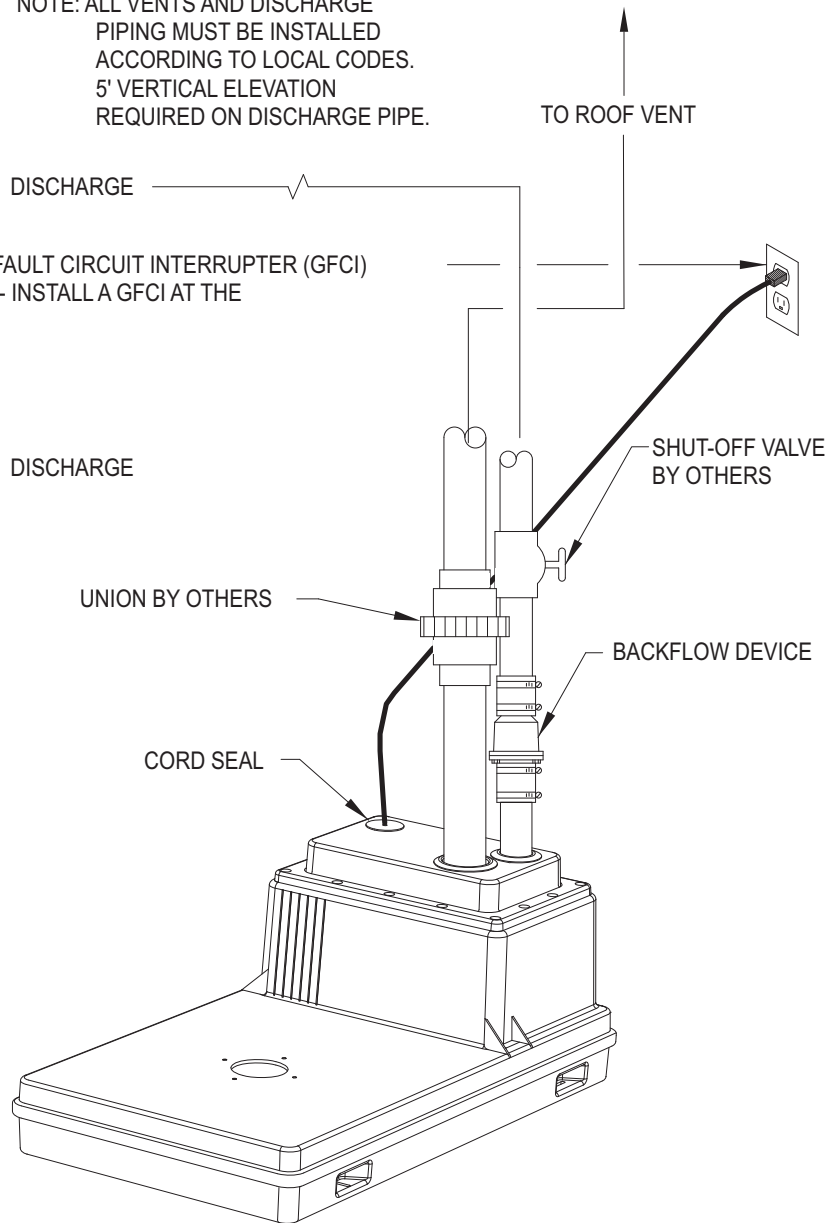


115V GROUND FAULT CIRCUIT INTERRUPTER (GFCI) FOR 230V UNIT - INSTALL A GFCI AT THE

3" (4") x2" Y OR TEE WELDED IN PLASTIC.



DISCHARGE TO 3" OR LARGER SEWAGE DRAIN LINE. USE SANITARY TEE OR Y WITH NO HUB CONNECTOR OR WELD IN A TEE OR Y IN PLASTIC PIPE.



NOTE: All installations must comply with all applicable Electrical and Plumbing Codes, including, but not limited, to National Electrical Code: Local: Regional and/or State Plumbing Codes, etc.

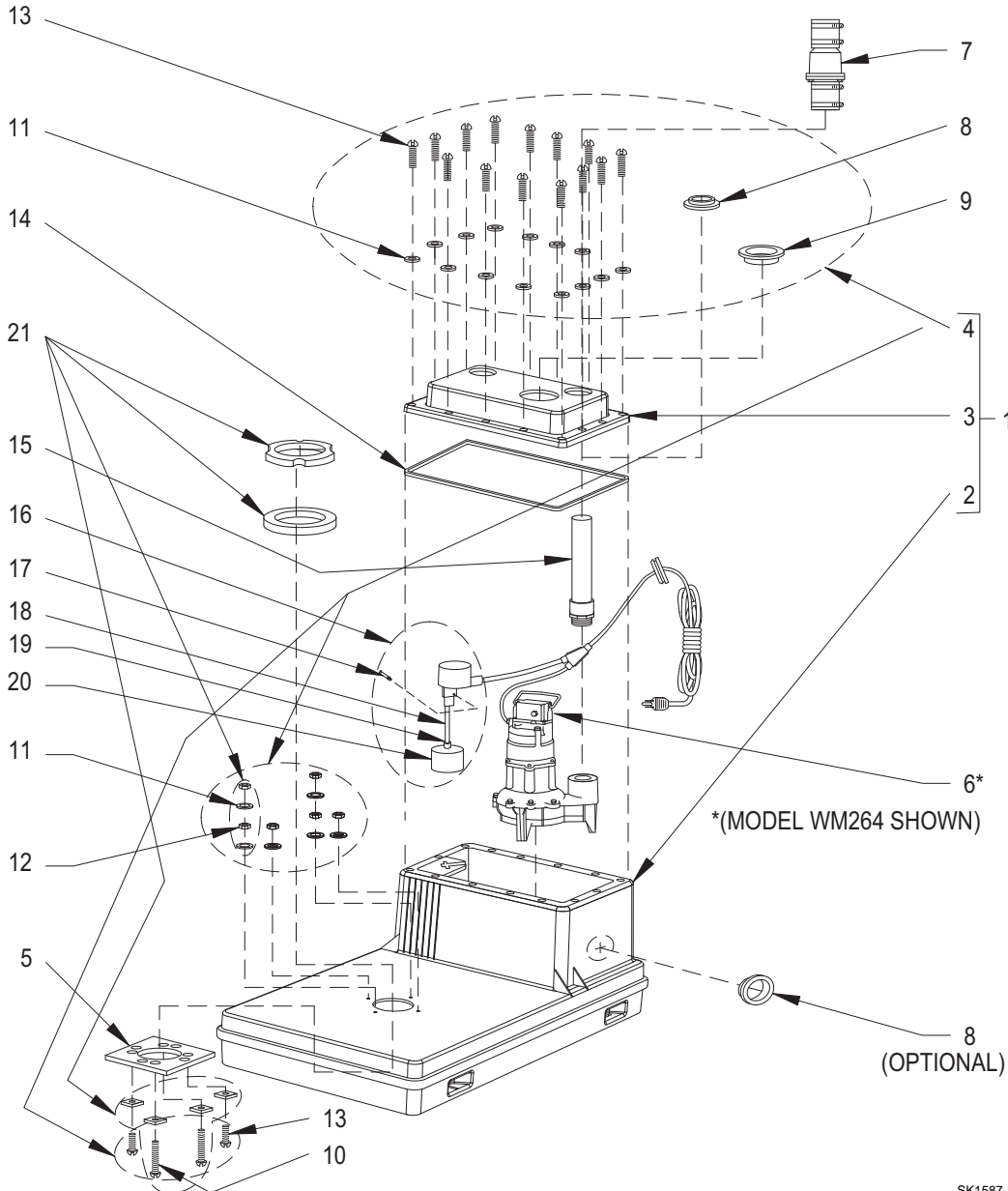
SK1586

Replacement Parts List For Models 100, 101 & 102

REF. NO.	DESCRIPTION	QTY	NOTES	MODELS:		
				100-D 10/97 to Present	101-A 07/01 to Present	102-E 10/97 to Present
1	Tank & Lid Assembly	1		010658	010658	010658
2	Tank	1		011022	011022	011022
3	Lid	1		011023	011023	011023
4	Hardware Pack	1		010497	010497	010497
5	Toilet Flange	1		005521	005521	005521
6	Pump 115V	1		014955	014821	014955
7	Back Flow Device	1		006817	006817	006817
15	Discharge Pipe	1		008515	008515	008515
16	Switch Hardware Pack	1		010532	010532	010532
21	Kit, Wax Ring Seal	1		008634	008634	008634

HARDWARE PACK P/N 010497 (MODELS 100-D, 101-A & 102-E)			
ITEM	P/N	DESCRIPTION	QTY
8	005588	Seal, Discharge 2"	2
9	005587	Seal, Vent 3"	1
10	004529	Screw, .25-20 X 2"	2
11	004480	Washer, SS-.25" Standard Flat	20
12	001812	Nut, .25-20 H-SS	6
13	004531	Screw, .25-20 X 1" LG RHM SS	16
14	010524	Seal, Foam - Closed Cell	1
SWITCH HARDWARE PACK P/N 010532			
17	009121	Float Rod Pin	1
18	010499	Float Rod	1
19	009120	Float Rod Stops	2
20	009119	Float Bulb	1

Note: Components are shipped each.



SK1587

Trouble Shooting Guide

Condition	Possible Cause	Remedy
A. PUMP WILL NOT START OR RUN.	Low voltage, blown fuse open circuit.	Have a qualified electrician check fuse and circuit.
	Impeller bound.	Contact a Zoeller Service Station.
	Motor or wiring shorted.	
B. PUMP STARTS TOO SOON.	Float "ON" point is adjusted too low.	Raise the float stops, make sure the float is between the two stops. Refer to STEPS 4, 5, & 6
C. WATER LEVEL EXCEEDS 4½" BEFORE PUMP TURNS ON.	Float "ON" point adjusted to high.	Refer to STEPS 4, 5, & 6 for proper installation.
D. PUMP WILL NOT SHUT OFF.	Debris under float.	Remove debris from around float.
	Faulty float switch.	Contact a Zoeller Service Station.
	Float "Off" point adjusted too low.	Adjust "Off" point. Refer to STEPS 4, 5, & 6
E. PUMP OPERATES BUT DELIVERS LITTLE OR NO WATER.	Debris around intake.	Clean area around intake.
	Blockage in discharge pipe.	Remove pipe and flush out debris.
	Low or incorrect voltage.	Have a qualified electrician check house wiring.
	Damaged Impeller.	Contact a Zoeller Service Station.
	Incorrect float adjustment	Refer to STEPS 4, 5, & 6 for proper installation.
	Pump is air locked.	Make sure vent hole on discharge pipe is clear.
	Vertical lift too high.	Change discharge piping or contact tech. service.
F. PUMP RUNS TOO LONG BEFORE WATER IS PUMPED.	Pump is air locked.	Make sure vent hole on discharge pipe is clear.
	Water level too low.	Clear debris from around baffle. Improperly adjusted float refer to STEPS 4, 5, & 6.



▲ WARNING Before servicing a pump, always shut off the main power breaker and then unplug the pump - making sure you are not standing in water and are wearing insulated protective sole shoes. Under flooded conditions, contact your local electric company or a qualified licensed electrician for disconnecting electrical service prior to pump removal.

▲ WARNING Submersible pumps contain oil which become pressured and hot under operating conditions -allow 2½ hours after disconnecting before attempting service.

If the above checklist does not solve the problem, consult Zoeller Technical Service

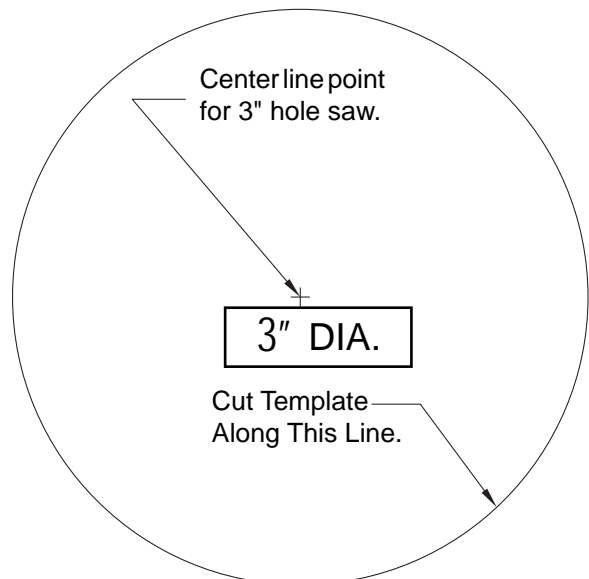
Department 1-(800) 928-PUMP - Do not attempt to service or otherwise disassemble pump.

▲ CAUTION Do not dispose of feminine sanitary products, disposable diapers, dish rags, etc. in the QWIK JON®. They may jam the pump or other plumbing lines and cause malfunction.

CARE OF FINISH: Soap and water is all that is recommended for cleaning the outside of the tank. Other cleaning products may cause discoloration and scratching.

Spotting Template

Pipe installed in this 2" seal must be supported vertically.
Hole must be round. Use 3" hole saw.
Hole sizes greater than 3.040" can create leaks.



SK1279