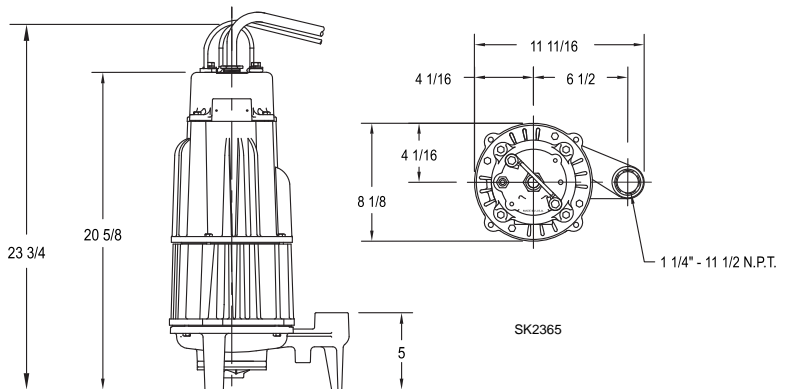


**TOTAL DYNAMIC HEAD/FLOW
PER MINUTE
SEWAGE**

MODEL		842		841	
Feet	Meters	Gal.	Liters	Gal.	Liters
5	1.5	34	129	61	231
10	3.0	34	129	61	231
20	6.1	34	129	61	231
30	9.1	34	129	61	231
40	12.2	34	129	61	231
50	15.2	34	129	61	231
60	18.3	34	129	60	227
70	21.3	32	121	55	208
80	24.4	29	110	47	178
90	27.4	25	95	38	144
100	30.5	20	76	28	106
110	33.5	13	49	18	68
120	36.6	4	15	7	26
Shut-off Head:		125 ft (38.1 m)		125 ft (38.1 m)	



Packaged & Field Assembled Systems
 Refer to FM1232 for Basin Assemblies and Accessories that can be used with the model 842 or 841.

Electrical Data and Control Panel Selections

Models	Part Number	Volts	Phase	HP	Amps	*Start Pak	**NEMA 4X Control Panels	
							Simplex	Duplex
I842	842-0005	200	1	2	20.0	10-0380	10-1650	10-1652
E842	842-0004	230	1	2	17.2	10-0380	10-1650	10-1652
J842	842-0006	200	3	2	12.3	Not Required	10-1097	10-1125
F842	842-0007	230	3	2	10.8	Not Required	10-1097	10-1125
G842	842-0008	460	3	2	5.5	Not Required	10-1094	10-1122
BA842	842-0009	575	3	2	4.5	Not Required	10-1146	10-1168
I841	841-0005	200	1	3	20.0	10-0380	10-1650	10-1652
E841	841-0004	230	1	3	17.2	10-0380	10-1650	10-1652
J841	841-0006	200	3	3	12.3	Not Required	10-1097	10-1125
F841	841-0007	230	3	3	10.8	Not Required	10-1097	10-1125
G841	841-0008	460	3	3	5.5	Not Required	10-1094	10-1122
BA841	841-0009	575	3	3	4.5	Not Required	10-1146	10-1168

* Capacitors and Start Relay are shipped loose for Field Installation.

** Control Panels include Seal Leak Indication, Visual and Audible High Water Alarm and Dry Contacts. Single Phase Control Panels include Capacitors and Start Relay.