

TOTAL DYNAMIC HEAD/FLOW PER MINUTE SEWAGE AND DEWATERING

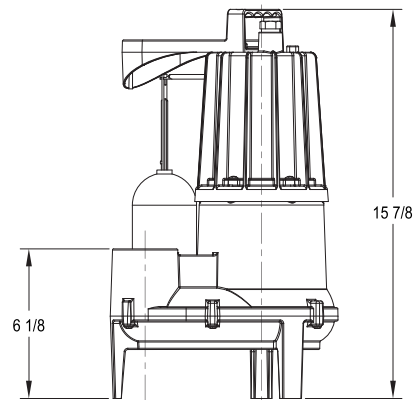
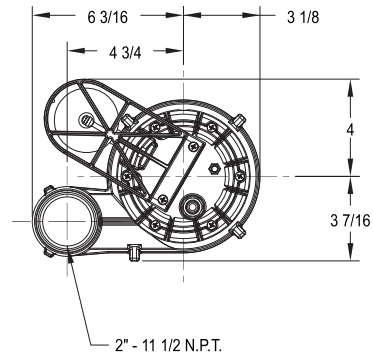
MODEL		211	
Feet	Meters	Gal.	Liters
5	1.5	82	310
10	3.0	53	201
15	4.6	32	121
Shut-off Head:		19.5 ft. (5.9m)	

014718B

Recommended for 2" pipe only.

CONSULT FACTORY FOR SPECIAL APPLICATIONS

- Variable level Float Switches available.
- Variable level long cycle systems available.
- Alarm systems available.



SK2092A

Single Seal	Control Selection					
	Model	Volts - Ph	Mode	Amps	Simplex	Duplex
M 211	115	1	Auto	5.5	1	3
N 211	115	1	NonAuto	5.5	2	2 & 3

SELECTION GUIDE

1. Integral float operated mechanical switch, no external control required.
2. For automatic use single piggyback variable level float switch or double piggyback variable level float switch. Refer to FM0477.
3. See FM1663 for a residential alternator system.

For information on additional Zoeller products refer to catalog on Piggyback Variable Level Float Switches, FM0477; Sump/Sewage Basins, FM0487; and Single Phase Simplex Pump Control/Alarm Systems, FM0732.

CAUTION

All installation of controls, protection devices and wiring should be done by a qualified licensed electrician. All electrical and safety codes should be followed including the most recent National Electric Code (NEC) and the Occupational Safety and Health Act (OSHA).

RESERVE POWERED DESIGN

For unusual conditions a reserve safety factor is engineered into the design of every Zoeller pump.



www.zoeller.com



MAIL TO: P.O. BOX 16347
Louisville, KY 40256-0347
SHIP TO: 3649 Cane Run Road
Louisville, KY 40211-1961
(502) 778-2731 • 1 (800) 928-PUMP
FAX (502) 774-3624

Manufacturers of..

"QUALITY PUMPS SINCE 1939"