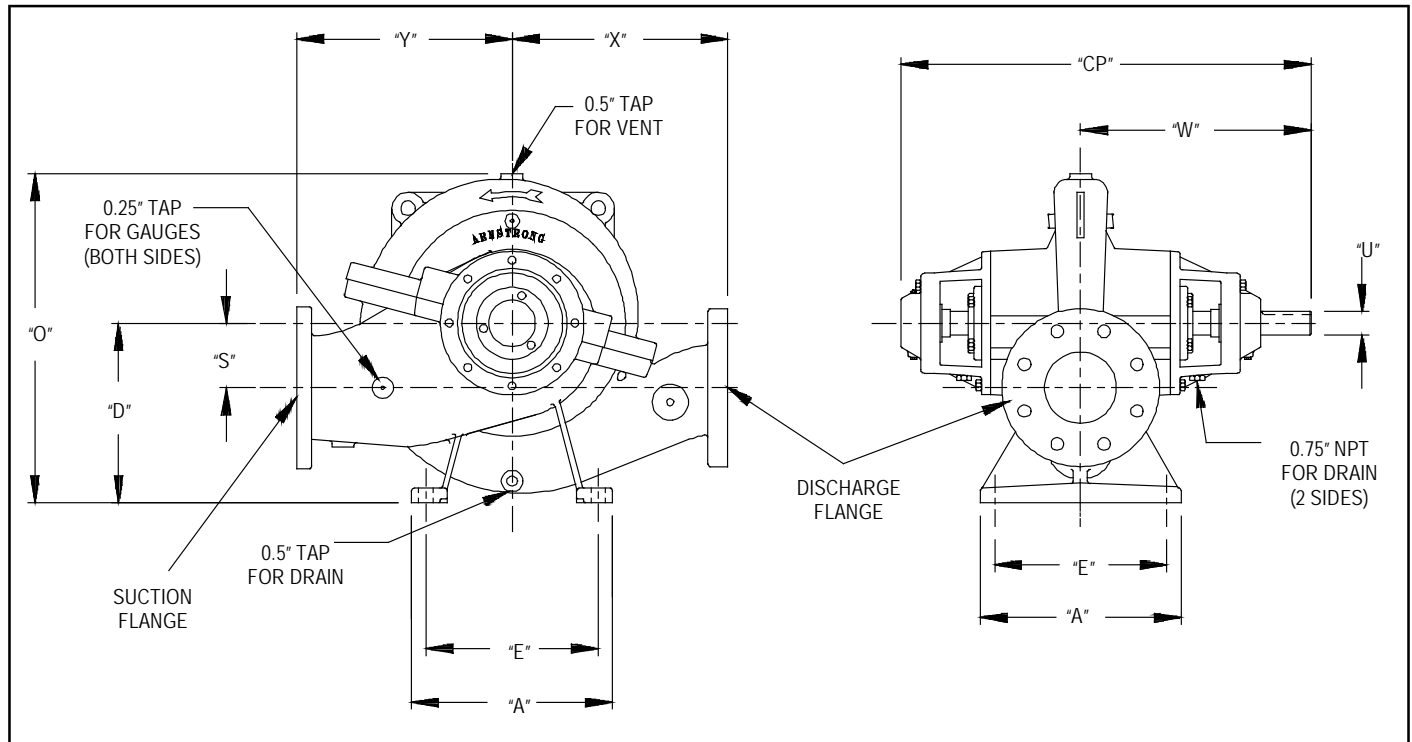


## HSC Pump

## SUBMITTAL



TO BE INDICATED BY CUSTOMER  
 SUCTION SIDE (VIEWED FROM DRIVER END)

PUMP	FLANGE		DIMENSIONS (Inches)										WEIGHT lbs.
	SUCT.	DISCH.	D	O	S	U	W	Y	X	CP	A	E	
5x4x10	5	4	11.00	18.19	4.50	1.63	16.00	12.00	12.00	28.50	14.00	12.00	400
5x4x12			11.00	19.00	4.50		16.00	13.00	13.00				420
6x5x9.5	6	5	11.00	18.81	4.50		16.00	12.00	12.00				425
6x5x10			11.00	18.88	4.50		16.00	12.00	12.00				425
6x5x12			11.00	19.38	4.50		16.00	15.00	15.00				475
6x5x15			12.50	23.00	4.50		16.00	15.00	15.00				525
8x6x10	8	6	11.00	18.94	4.50		17.00	14.00	14.00	30.50			540
8x6x12.5			12.50	21.44	5.75		17.00	15.00	15.00				600
8x6x15			12.50	23.25	5.75		17.00	16.00	16.00				665
8x6x16			12.50	23.25	5.75		17.00	16.00	16.00				665
10x8x11	10	8	12.50	20.94	4.50	17.00	16.00	16.00	700				
10x8x14			14.50	24.25	5.75	17.00	16.00	16.00	685				
12x8x18			23.25	38.00	12.75	2.13	22.00	21.00	18.00	40.34	26.00	23.00	2077

**NOTE:**

- (1) STD. DISCHARGE FLANGE THICKNESS ANSI 250#
- (2) ALL DIMENSIONS ARE IN INCHES

**FLANGE RATING**

- ANSI 125# STD<sup>(1)</sup>
- ANSI 125# SUCTION  
250# DISCHARGE
- ANSI 250#
- PN 16

**FIRE PUMP LISTING**

- UL
- ULC
- FM

DO NOT USE FOR CONSTRUCTION UNLESS CERTIFIED

S. A. Armstrong Limited  
 23 Bertrand Avenue  
 Toronto, Ontario  
 Canada, M1L 2P3  
 T: (416) 755-2291  
 F (Main): (416) 759-9101

Armstrong Pumps Inc.  
 93 East Avenue  
 North Tonawanda, New York  
 U.S.A. 14120-6594  
 T: (716) 693-8813  
 F: (716) 693-8970

Armstrong Holden Brooke Pullen  
 Wenlock Way  
 Manchester  
 United Kingdom, M12 5JL  
 T: +44 (0) 161 223 2223  
 F: +44 (0) 161 220 9660

