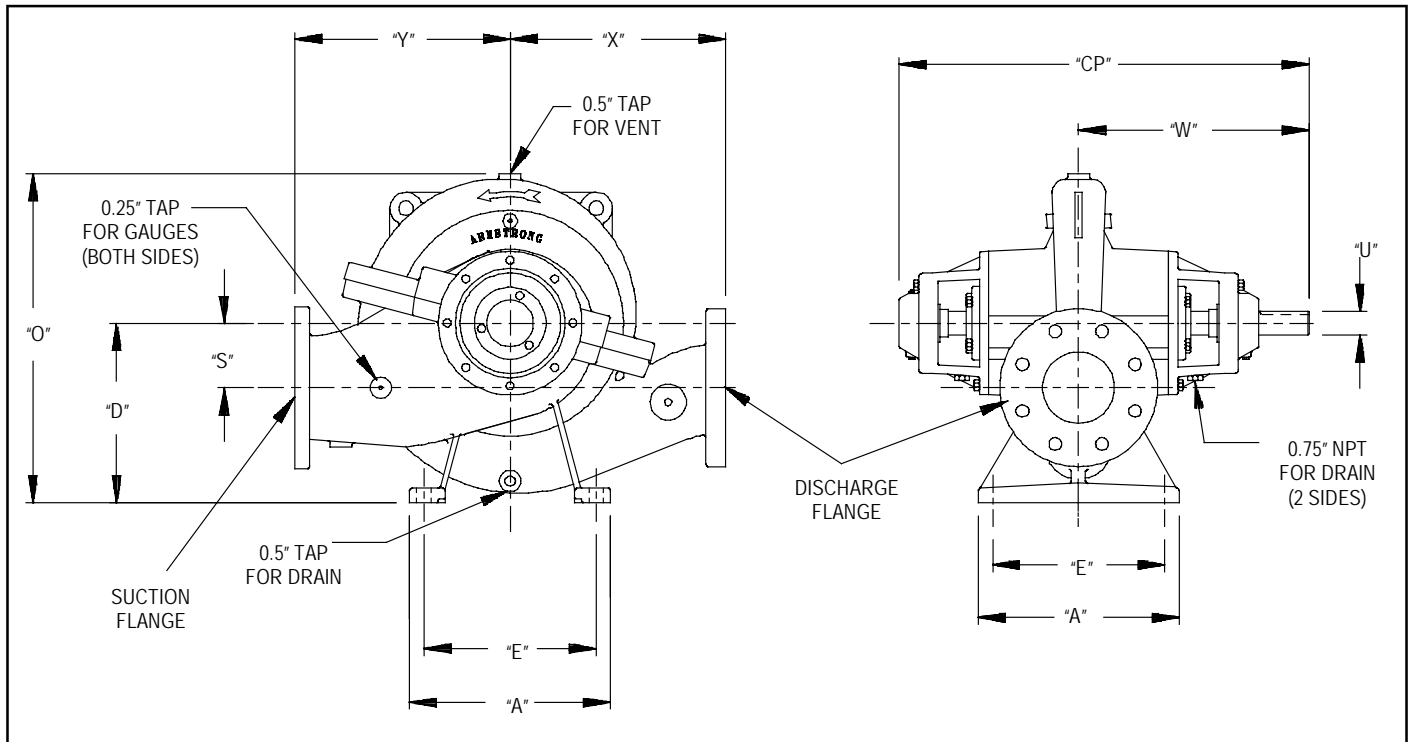


SERIES 4600

Dimension Charts



PUMP	FLANGE		DIMENSIONS											
	SUCT.	DISCH.	A	CP	D	E	O	S	U	W	X	Y		
5 x 4 x 10	5	4	14.00 (356)	28.50 (724)	11.00 (279)	12.00 (305)	18.19 (462)	4.50 (114)	1 5/8	16.00 (406)	12.00 (305)	12.00 (305)		
5 x 4 x 12	5	4					19.00 (483)				13.00 (330)	13.00 (330)		
6 x 5 x 9.5	6	5					18.75 (476)				12.00 (305)	12.00 (305)		
6 x 5 x 10	6	5					18.75 (476)				15.00 (381)	15.00 (381)		
6 x 5 x 12	6	5					19.38 (492)				12.00 (305)	12.00 (305)		
6 x 5 x 15	6	5		23.00 (584)	15.00 (381)		15.00 (381)							
8 x 6 x 10	8	6		30.50 (775)	12.50 (318)		20.00 (508)	18.94 (481)		5.75 (146)	2 1/8	17.00 (432)	14.00 (356)	14.00 (356)
8 x 6 x 12.5	8	6						21.44 (545)					15.00 (381)	15.00 (381)
8 x 6 x 15	8	6						22.75 (578)		16.00 (406)			16.00 (406)	
10 x 8 x 11	10	8						20.94 (532)		18.00 (457)			18.00 (457)	
10 x 8 x 14	10	8	24.25 (616)	16.00 (406)	16.00 (406)									
12 x 10 x 12.5	12	10	22.00 (559)	32.25 (819)	17.00 (432)	27.25 (692)		7.50 (191)	2 1/8	18.00 (457)		18.00 (457)	18.00 (457)	
12 x 10 x 15	12	10				28.50 (724)						21.00 (533)	21.00 (533)	
12 x 8 x 18	12	8				26.00 (660)		40.35 (1025)				23.25 (591)	23.00 (584)	12.75 (324)

NOTE:

- (1) All Dimensions are in inches (mm)
- (2) Dimension Tolerances $\pm 1/8$ (± 3)

DO NOT USE FOR CONSTRUCTION UNLESS CERTIFIED

S. A. Armstrong Limited
 23 Bertrand Avenue
 Toronto, Ontario
 Canada, M1L 2P3
 T: (416) 755-2291
 F (Main): (416) 759-9101

Armstrong Pumps Inc.
 93 East Avenue
 North Tonawanda, New York
 U.S.A. 14120-6594
 T: (716) 693-8813
 F: (716) 693-8970

Armstrong Holden Brooke Pullen
 Wenlock Way
 Manchester
 United Kingdom, M12 5JL
 T: +44 (0) 161 223 2223
 F: +44 (0) 161 220 9660

